



# POWER HEAD

## UMC425•UMC435

### OWNER'S MANUAL

### MANUEL DE L'UTILISATEUR

### BEDIENUNGSANLEITUNG

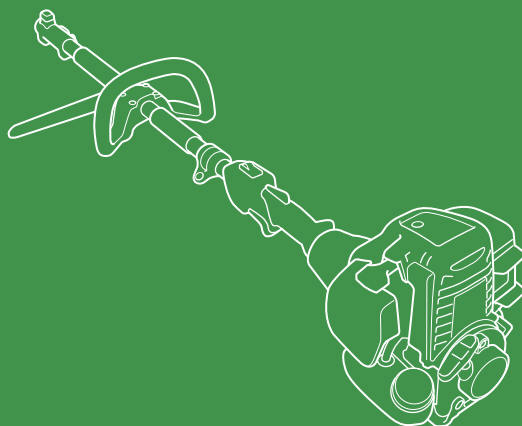
### MANUALE DELL'UTENTE

Read and understand this Owner's Manual before operating the power head.

Lire et bien comprendre ce manuel avant d'utiliser le block moteur.

Lesen Sie diese Bedienungsanleitung gründlich bevor Sie den Motortrimmer in Betrieb nehmen.

Prima di azionare la testa motrice, leggere attentamente il presente manuale.



ECOLOGY CONSCIOUS TECHNOLOGY

**Honda UMC425E • UMC435E  
UMC425U • UMC435U**

**OWNER' S MANUAL**  
Original instructions

**MANUEL DE L'UTILISATEUR**  
Notice originale

**BEDIENUNGSANLEITUNG**  
Originalbetriebsanleitung

**MANUALE DELL'UTENTE**  
Istruzioni originali



ECOLOGY CONSCIOUS TECHNOLOGY

The "e-SPEC" mark symbolizes environmentally responsible technologies applied to Honda power equipment, which contains our wish to "preserve nature for generations to come".

# INTRODUCTION

---

Thank you for purchasing a Honda power head.

Honda power heads UMC425E, UMC435E, UMC425U, and UMC435U can be used by attaching different kinds of Honda approved attachments to enable various operations.

This manual covers the operation and maintenance of the Honda power head UMC425E • UMC435E • UMC425U • UMC435U.

Honda Motor Co., Ltd. reserves the right to make changes at any time without notice and without incurring any obligation.

No part of this publication may be reproduced without written permission.

This manual should be considered a permanent part of the power head and should remain with it if it is resold.

Pay special attention to statements preceded by the following words;

**▲WARNING** Indicates a strong possibility of severe personal injury or death if instructions are not followed.

**CAUTION:** Indicates a possibility of personal injury or equipment damage if instructions are not followed.

**NOTE:** Gives helpful information.

If a problem should arise, or if you have any questions about the power head, consult an authorized Honda dealer.

Honda power heads are designed to give safe and dependable service if operated according to instructions.

**▲WARNING**  
**Operating a power head requires special effort to ensure the safety of the operator and the safety of others. Read and understand this Owner's Manual before operating the power head; failure to do so could result in personal injury or equipment damage.**

The illustrations herein are mainly based on: UMC435E

- The illustrations may vary according to the type.

---

**Disposal**

To protect the environment, do not dispose of this product, battery, engine oil, etc. carelessly by leaving them in the waste. Observe the local laws and regulations or consult your authorized Honda dealer for disposal.

# CONTENTS

---

1. SAFETY INSTRUCTIONS.....	3
2. SAFETY LABEL LOCATIONS .....	11
3. COMPONENT IDENTIFICATION.....	13
4. CONTROLS .....	15
5. PRE-OPERATION CHECKS.....	19
6. STARTING THE ENGINE.....	34
7. OPERATION .....	38
8. STOPPING THE ENGINE.....	39
9. MAINTENANCE .....	40
10. TRANSPORTING .....	54
11. STORAGE .....	55
12. TROUBLESHOOTING .....	57
13. SPECIFICATIONS .....	58
MAJOR Honda DISTRIBUTOR ADDRESSES .....	Inside back cover
“EC Declaration of Conformity”	
CONTENT OUTLINE .....	Inside back cover

# 1. SAFETY INSTRUCTIONS

## ▲WARNING

### To ensure safe operation

For your safety and safety of others, pay special attention to these precautions:



- Honda power head is designed to give safe and dependable service if operated according to instructions.  
Read and understand the Owner's Manual before operating the power head. Failure to do so could result in personal injury or equipment damage.



- Gasoline is extremely flammable and is explosive under certain conditions.
- Do not smoke or allow flames or sparks in the area where the power head is refueled or where gasoline is stored.
- Do not overfill the fuel tank, and make sure the fuel tank cap is closed securely after refueling.
- Refuel in a well-ventilated area with the engine stopped.



- Exhaust contains poisonous carbon monoxide, a colorless, odorless gas. Breathing carbon monoxide can cause loss of consciousness and may lead to death.
- If you run the power head in an area that is confined, or even partially enclosed area, the air you breathe could contain a dangerous amount of exhaust gas.
- Never run your power head inside a garage, house or near open windows or doors.

---

**▲WARNING****To ensure safe operation****Operator Responsibility**

- Only equip Honda approved attachments. If not, injury or accident may occur.
- Read and follow the instructions in the owner's manual that came with each attachments.
- Never operate the power head when tired, ill or under influence of alcohol or other drugs.
- Any part from the machine is a potential source of danger if the machine is used in abnormal conditions or if the maintenance is not done correctly.
- Read the owner's manual carefully. Be familiar with the controls and their proper use of the power head. Know how to stop the engine rapidly.
- Never allow children or people unfamiliar with this owner's manual to use the power head. Local regulations may restrict the age of the operator.
- If you lend or resell your power head to a third person, instruct him or her with how to handle the product and alert him or her to read the Owner's Manual carefully before operation.
- Never operate the power head while:
  - people, especially children or pets are nearby.
  - user is fatigued or under medication, or has swallowed substances known to affect judgement or reactions.
- Each attachment have working area which people or animal shall not approach. Follow to the instructions in the owner's manual that comes with each attachment.
- Keep in mind that the operator or user is responsible for accidents or hazards occurring to other people or their property.

---

**▲WARNING****To ensure safe operation****Operator Responsibility**

- While operating the power head, always wear protective clothing and protective devices.
- For protective clothing and protective devices to be worn, follow to the instructions in the owner's manual that comes with each attachment.
  - Protective clothing
    - Wear adequate clothes with long sleeves and long pants. The clothes must fit your body and button up or zip up the clothes securely. Do not leave the sleeves and bottom of the shirt/jacket loose.
    - Wear the arm covers, too.
    - Do not wear the clothes with the tapes, laces and/or ribbons, loose clothes, necktie, necklace, etc. during operation. Bind your hair if it is long, and do not let your hair below your shoulder.
  - Protective devices
    - \* Goggles
      - Wear the goggles or other eye protection to protect your eyes from the debris.
    - \* Helmet
      - Wear the helmet to protect your head from the overhead branches and the falling foreign material.
    - \* Face shield
      - Wear face shield to protect your face from the debris.
    - \* Ear muffs/ear plugs
      - Wear the ear muff, ear plugs or other hearing protection to protect your ears from the noise.
    - \* Gloves
      - Wear the gloves to protect your hands.
    - \* Safety boots
      - Wear the safety boots with the non-slip sole and toe protector to protect your feet from the flying debris.
      - Do not operate the equipment when barefoot or wearing open sandals.
      - Wear the leg protectors as well.



---

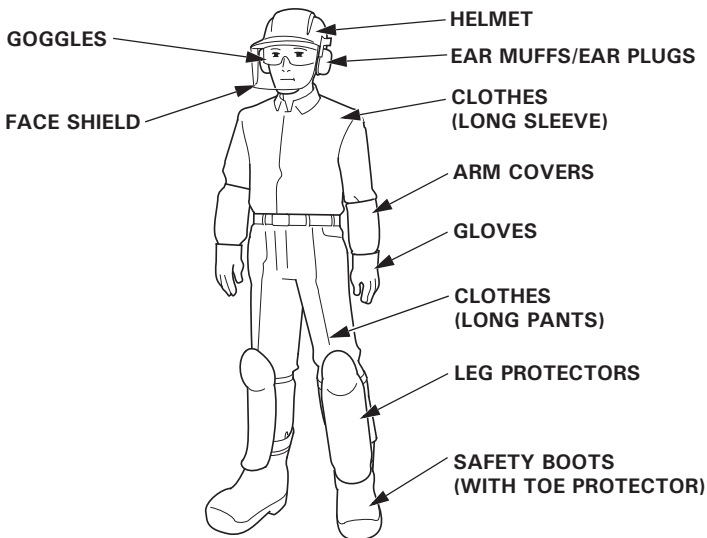
**▲WARNING**

To ensure safe operation

### Operator Responsibility

\* Dust mask

We recommend that you wear the dust mask if you suffer from the allergic rhinitis, e.g. pollinosis, etc. The dust mask is available at a pharmacy and it is helpful for reducing the amount of pollens you breathe.



- Before each use, visually inspect the power head for any damage and looseness of fastening part.
- Before each use, look around and underneath the engine for signs of oil or gasoline leaks.
- Avoid operating the power head at night or in a bad weather of poor visibility, because there is much possibility of accident.
- Walk, never run during operation.
- Avoid operating the power head on a steep slope.  
The steep slope is very slippery, so you can slip down.

---

**▲WARNING****To ensure safe operation****Operator Responsibility**

- Do not operate the power head with the labels, and other parts removed.
- Do not mount any incorrect parts and do not tamper with the power head as it can result in personal injury and/or equipment damage. Use the parts that are designed for your model and application.
- Stop the engine with the engine switch to the OFF position in the following cases:
  - Before any operation around the power head.
  - Before checking, cleaning or working on the power head.
  - After striking a foreign object. Inspect the power head for damage and make repairs before restarting and operating the power head again.
  - If power head starts to vibrate abnormally. Check immediately the cause of the vibration and perform the necessary repair.
  - Whenever you leave the power head unattended.
  - Before refuelling.
  - When any person or pet is approaching.
  - Shut off the engine immediately when the power head shows abnormal vibration suddenly. Sudden vibration can suggest the damaged rotating parts or loose fasteners. Examine the cause of the problem, and do not start the engine before repair is made.
- The power head is faulty when the engine is idling by returning the throttle but the attachment keeps turning, and idle speed adjustment must be made. Consult your authorized Honda dealer.
- Keep all nuts, bolts and screws tight to be sure the power head is in safe working condition. Regular maintenance is an essential aid to user's safety and retaining a high level of performance.
- Do not use the power head with worn or damaged parts. Parts must be replaced, or repaired. Replace worn or damaged parts with Honda genuine parts. Non equivalent quality parts may damage the machine and be prejudicial to your safety.

---

**▲WARNING****To ensure safe operation****Operator Responsibility****• Injury caused by vibration and cold:**

You may feel the prickling or burning pain in your fingers, and the fingers may lose color and feeling depending on your constitution. It is believed that these symptoms are brought by vibration and/or exposure to cold. The specific trigger point of these symptoms are not identified yet, but observe the following instructions.

- \* Limit the amount of time you spend operating the power head in a day.

A day's work should consist of the work with the power head and the other work without the hand-held equipment so you can limit the amount of time when your hands are exposed to the machine vibration.

- \* Keep your body warm, especially your hands, wrists and arms.
- \* Take your breaks at shorter intervals and arm exercises well to maintain good blood circulation. Do not smoke while working.
- \* When you feel discomfort, redness and swelling of the fingers followed by whitening and loss of feeling, consult your doctor promptly.

**• Injury caused by repeated operation:**

Performing the repeated operation for a prolonged time may cause injury. Observe the following instructions to reduce the causes of the injury.

- \* Avoid the repeated operation by using your wrist(s) in bent, stretched or twisted position.
- \* Take your breaks regularly to minimize the effect of the repeated operation. Take your time when performing the repeated operation. Do not rush to operate the power head.
- \* When your fingers, hands, wrists and/or arms are throbbing or numbed, consult your doctor.

---

**▲WARNING****To ensure safe operation****Child Safety**

- Keep children indoors and supervised at all times when any outdoor power head is being used nearby. Young children move quickly and are attracted especially to the power head activity.
- Never assume children will remain where you last saw them. Be alert and turn the power head off if children enter the area.
- Children should never be allowed to operate the power head, even under adult supervision.

**Fire and Burn Hazard**

Gasoline is extremely flammable, and gasoline vapor can explode. Use extreme care when handling gasoline. Keep gasoline out of reach of children.

- Store fuel in containers specifically designed for this purpose.
- Refuel outdoors only, and do not smoke while refuelling or handling fuel.
- Add fuel before starting the engine. Never remove the cap of the fuel tank or add petrol while the engine is running or when the engine is hot.
- If gasoline is spilled, do not attempt to start the engine but move the power head away from the area of spillage and avoid creating any source of ignition until gasoline vapours have dissipated.
- Tighten all fuel tanks and container caps securely.
- When you start the engine after refueling, be sure to start the engine at least 3 m (10 feet) away from the refueling spot.
- Never store the power head with gasoline in the tank inside a building where fumes may reach an open flame, spark or high temperature source.
- Allow the engine to cool before storing in any enclosure.
- To reduce the fire hazard, keep the power head, especially the engine, muffler, the gasoline storage area as well, free of grass, leaves, or excessive grease.  
Do not leave containers of vegetable matters in or near a building.
- If the fuel tank has to be drained, this should be done outdoors, with a cold engine.

---

**▲WARNING**

**To ensure safe operation**

### **Carbon Monoxide Poisoning Hazard**

Exhaust contains poisonous carbon monoxide, a colorless and odorless gas. Breathing exhaust can cause loss of consciousness and may lead to death.

- If you run the engine in an area that is confined or even partially enclosed, the air you breathe could contain a dangerous amount of exhaust gas. To keep exhaust gas from building up, provide adequate ventilation.
- Replace faulty muffler.
- Do not operate the engine in a confined space where dangerous carbon monoxide fumes can collect.

## 2. SAFETY LABEL LOCATIONS

Your power head must be used with care. Therefore, decals have been placed on the machine, to remind you pictorially of main precautions to take during use. Their meanings are explained on page 3.

These decals are considered as a part of the power head. Should one become detached or unreadable, contact your Honda dealer for its replacement.

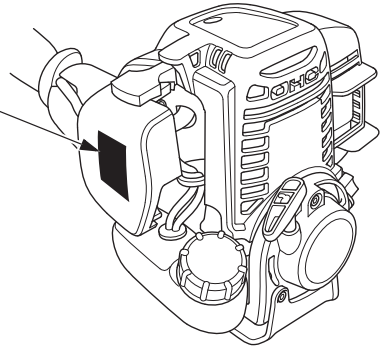
For European model: UMC425E, UMC435E

READ OWNER'S MANUAL

FUEL CAUTION



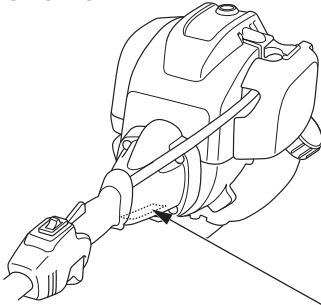
EXHAUST CAUTION



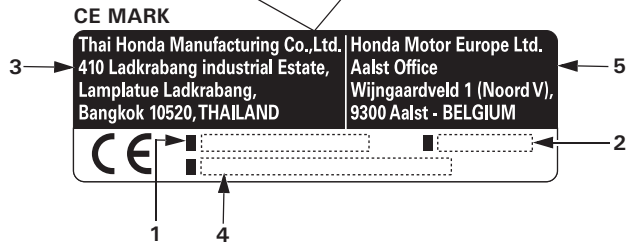
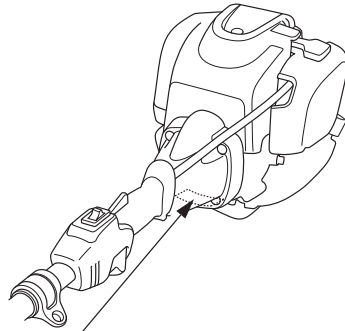
## CE mark and noise label locations

### For European model:

UMC425E



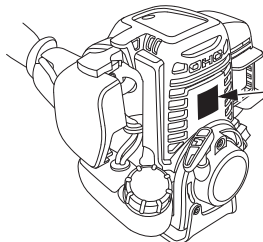
UMC435E



1. Model and Type
2. Year of manufacture
3. Manufacturer and address
4. Frame serial number
5. Name and address of authorized representative

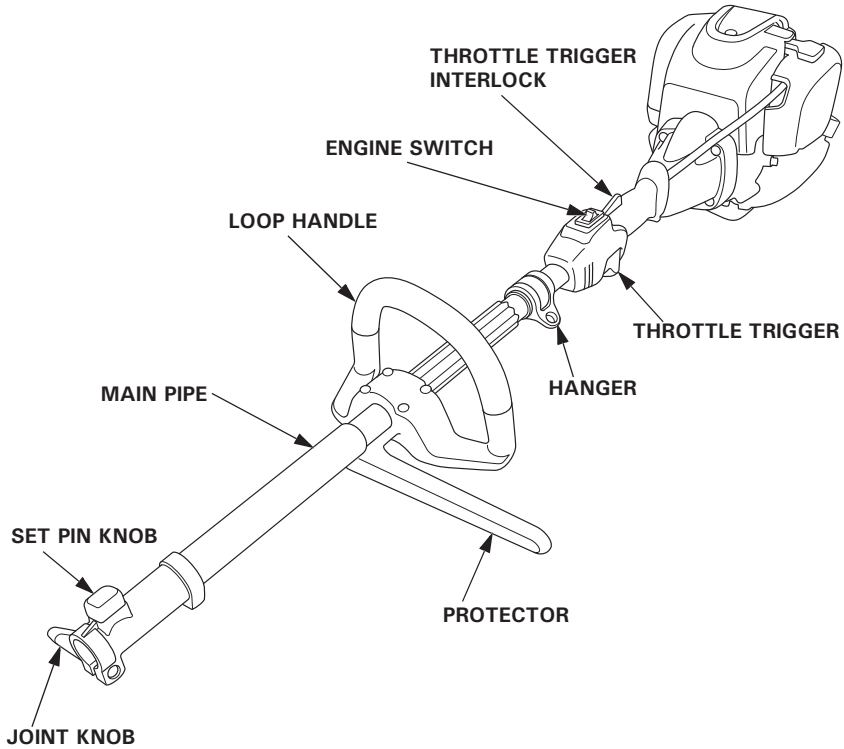
\*The noise label is affixed to the attachments.

### For Australian model:



# 3. COMPONENT IDENTIFICATION

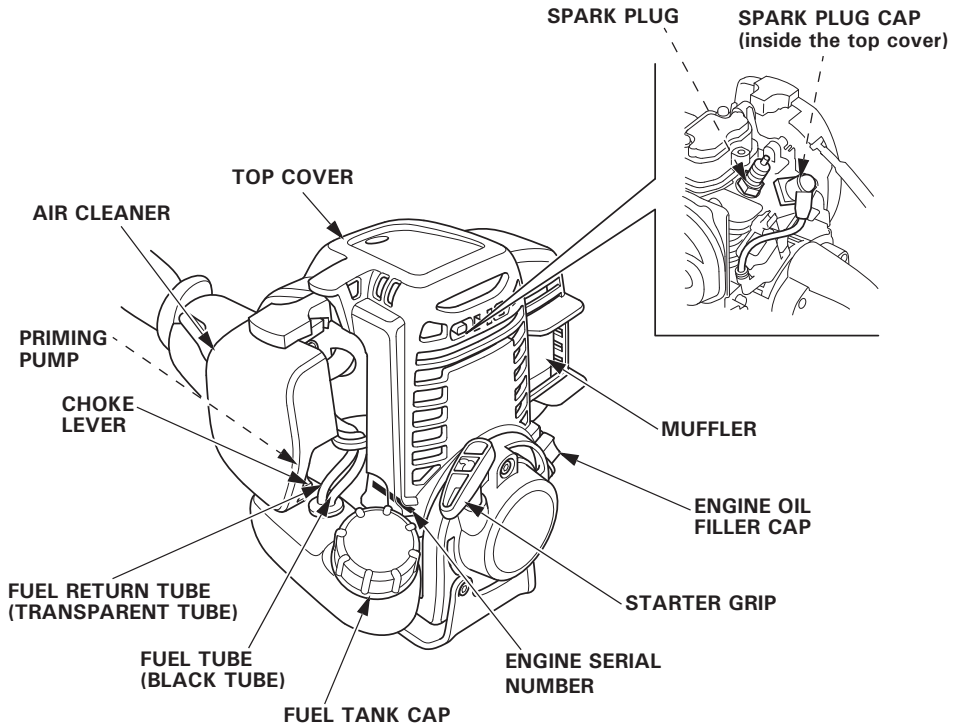
Example: UMC435E



\*The following attachments can be used with the power head.

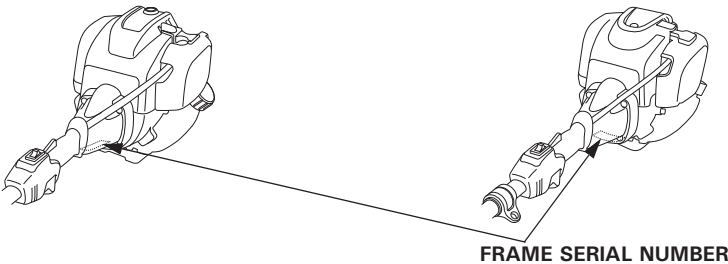
- Brush cutter
- Grass trimmer
- Pruner
- Blower
- Hedge trimmer
- Edger
- Cultivator





UMC425U

UMC435U



FRAME SERIAL NUMBER

Record the frame serial number (see pages 12 and 14) and the engine serial number in the space below. You will need these numbers when ordering parts.

Frame serial number: \_\_\_\_\_

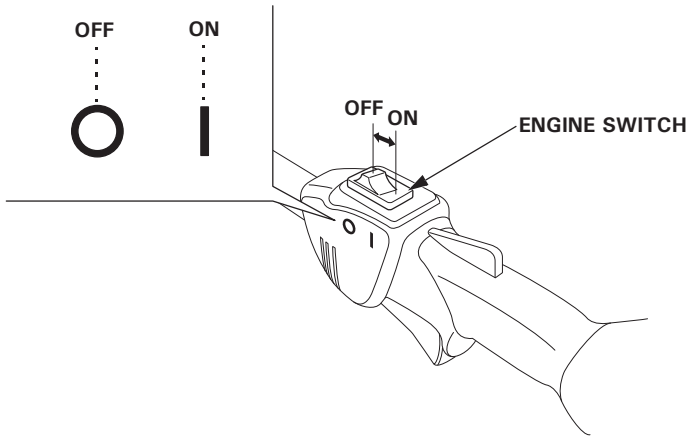
Engine serial number: \_\_\_\_\_

### 1. Engine switch

The engine switch enables and disables the ignition system.

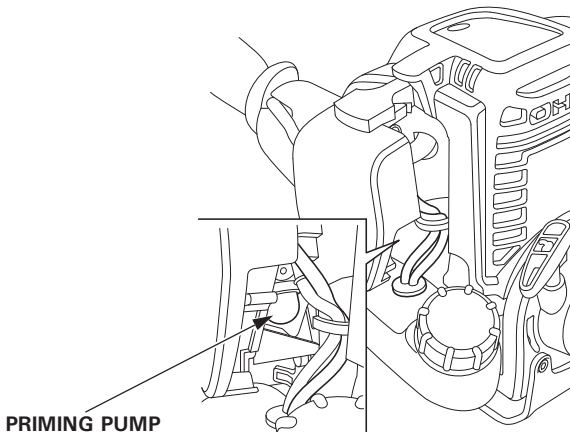
The engine switch must be in the ON position for the engine to run.

Moving the engine switch to the OFF position stops the engine.



### 2. Priming pump

Pressing the priming pump feeds the gasoline from the fuel tank to the carburetor. This procedure is necessary for starting the engine.



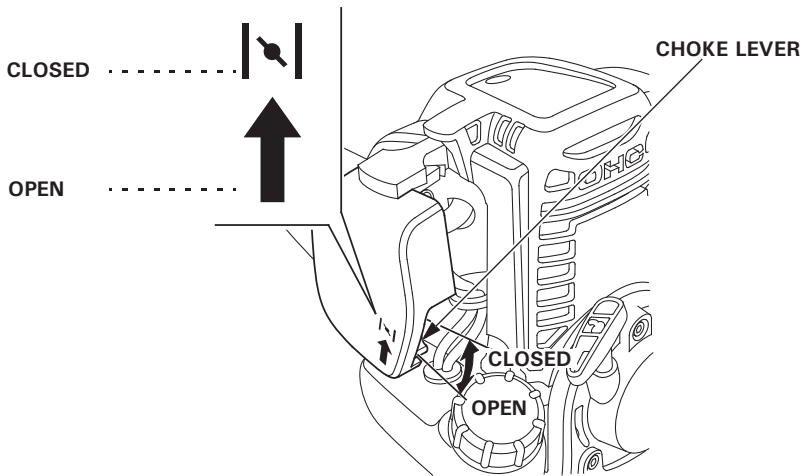
---

### 3. Choke lever

The choke lever opens and closes the choke valve in the carburetor.

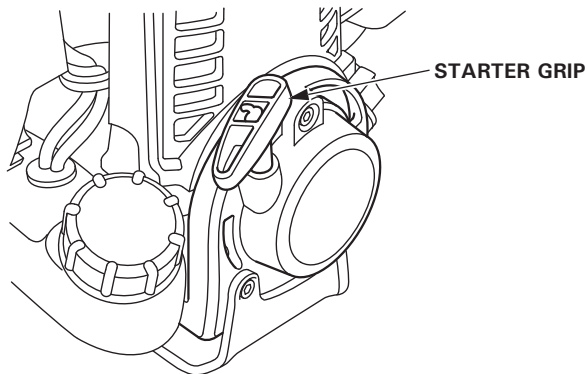
The CLOSED position enriches the fuel mixture for starting a cold engine.

The OPEN position provides the correct fuel mixture for operation after starting, and for restarting a warm engine.



### 4. Starter grip

Pulling the starter grip operates the recoil starter to crank the engine for starting.



---

## 5. Throttle trigger

The throttle trigger controls engine speed.

Pulling and releasing the throttle trigger shown below makes the engine run faster or slower.

### NOTE:

The throttle trigger interlock must be depressed before the throttle trigger can be activated.

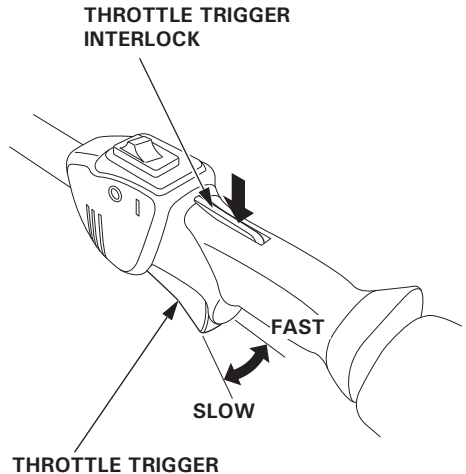
By pulling the throttle trigger gradually, the engine speed increases.

Pull the throttle trigger more to accelerate the engine speed.

By releasing the throttle trigger, the engine speed decreases.

### Throttle trigger interlock:

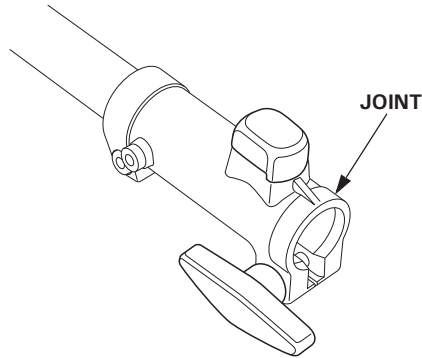
The throttle trigger interlock makes the throttle trigger operable. The throttle trigger cannot be pulled unless the throttle trigger interlock has been pushed beforehand.



---

## 6. Joint

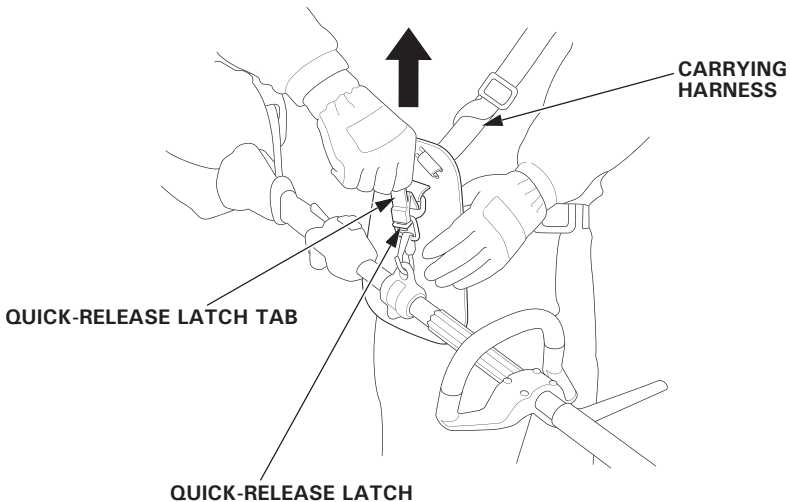
The joint is to attach Honda approved attachment to the power head. Refer to Pages 30-32 for how to attach and detach the attachments.



## 7. Quick-release latch

The quick-release latch tab is provided to detach the power head from your body in an emergency.

Pull up the quick-release latch tab, and the power head is detached from the carrying harness.



## 5. PRE-OPERATION CHECKS

For safe and efficient operation, always make a pre-operation inspection before operating:

### ▲WARNING

Perform a pre-operation inspection on a firm, level surface with the engine stopped and make sure that the engine switch is in the OFF position.

#### 1. Check the engine oil level

### CAUTION:

Running the engine with low oil level will cause serious engine damage.

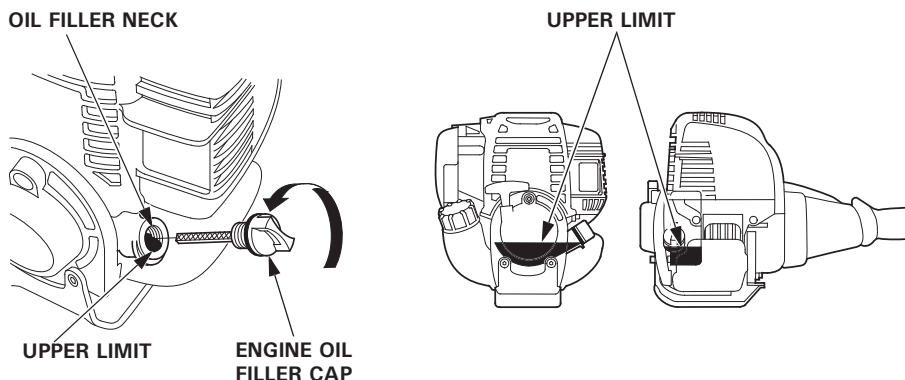
Check the engine oil level before each use, or every 10 hours if operated continuously.

1. Place the power head on a level surface and remove the oil filler cap.
2. Check the oil level. If it is below the upper limit, fill with the recommended oil to the upper limit.
3. Reinstall the oil filler cap securely.

### ENGINE OIL CAPACITY

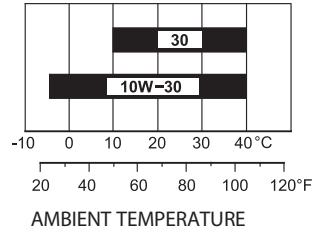
UMC425E, UMC425U: 0.08 L (0.08 US qt, 0.07 Imp qt)

UMC435E, UMC435U: 0.10 L (0.11 US qt, 0.09 Imp qt)



Use 4-stroke motor oil that meets or exceeds the requirements for API service classification SE or later (or equivalent). Always check the API service label on the oil container to be sure it includes the letters SE or later (or equivalent).

SAE 10W-30 is recommended for general use. Other viscosities shown in the chart may be used when the average temperature in your area is within the indicated range.



**CAUTION:**

Using nondetergent oil or 2-stroke engine oil could shorten the engine's service life.

---

## 2. Check the fuel level

Use automotive unleaded gasoline with a Research Octane Number of 91 or higher (a Pump Octane Number of 86 or higher).

Never use stale or contaminated gasoline or an oil/gasoline mixture. Avoid getting dirt or water in the fuel tank.

### **▲WARNING**

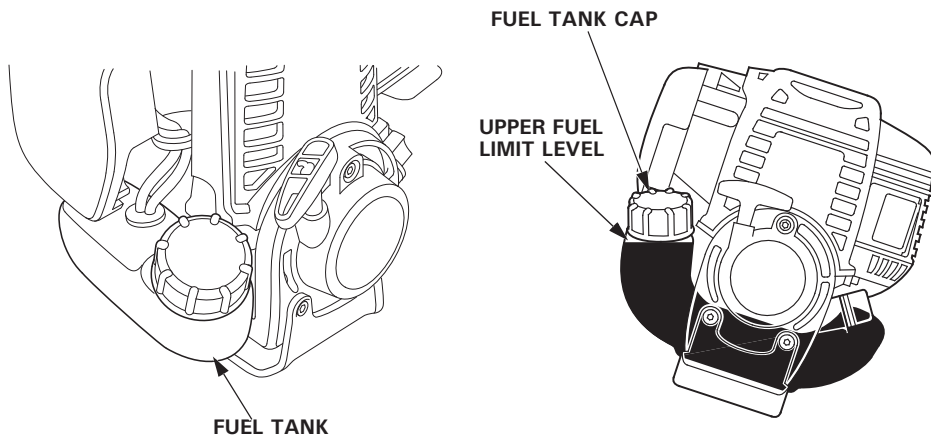
- Gasoline is extremely flammable and is explosive under certain conditions.
- Refuel in a well-ventilated area with the engine stopped. Do not smoke or allow flames or sparks in the area where the engine is refueled or where gasoline is stored.
- Do not overfill the fuel tank (there should be no fuel in the filler neck). After refueling, make sure the tank cap is closed properly and securely.
- Be careful not to spill fuel when refueling. Spilled fuel or fuel vapor may ignite. If any fuel is spilled, make sure the area is dry before starting the engine.
- Avoid repeated or prolonged contact with skin or breathing of vapor.  
**KEEP OUT OF REACH OF CHILDREN.**

### **CAUTION:**

Gasoline substitutes are not recommended; they may be harmful to fuel system components.



- 
1. Check the fuel level visually from the outside of the fuel tank while keeping the fuel filler neck upright.
  2. If the fuel level is low, refuel the fuel tank until the level as specified. Remove the fuel tank cap gradually to release a pressurized air in the fuel tank. Fuel in the fuel tank may spout out, if the fuel tank cap is removed quickly.



---

**NOTE:**

Gasoline spoils very quickly depending on factors such as light exposure, temperature and time.

In worst cases, gasoline can be contaminated within 30 days.

Using contaminated gasoline can seriously damage the engine (carburetor clogged, valve stuck).

Such damage due to spoiled fuel is disallowed from coverage by the warranty.

To avoid this please strictly follow these recommendations:

- Only use specified gasoline (see page 21).
- Use fresh and clean gasoline.
- To slow deterioration, keep gasoline in a certified fuel container.
- If long storage (more than 30 days) is foreseen, drain fuel tank and carburetor (see pages 55 and 56).

### **Gasolines containing alcohol**

If you decide to use a gasoline containing alcohol (gasohol), be sure its octane rating is at least as high as that recommended by Honda.

There are two types of "gasohol": one containing ethanol, and the other containing methanol.

Do not use gasohol that contains more than 10% ethanol.

Do not use gasoline containing more than 5% methanol (methyl or wood alcohol) and that does not also contain co-solvents and corrosion inhibitors for methanol.

**NOTE:**

- Fuel system damage or engine performance problems resulting from the use of gasoline that contains more alcohol than recommended is not covered under the warranty.
- Before buying gasoline from an unfamiliar station, first determine if the gasoline contains alcohol, if it does, find out the type and percentage of alcohol used.

If you notice any undesirable operating symptoms while using a particular gasoline. Switch to a gasoline that you know contains less than the recommended amount of alcohol.

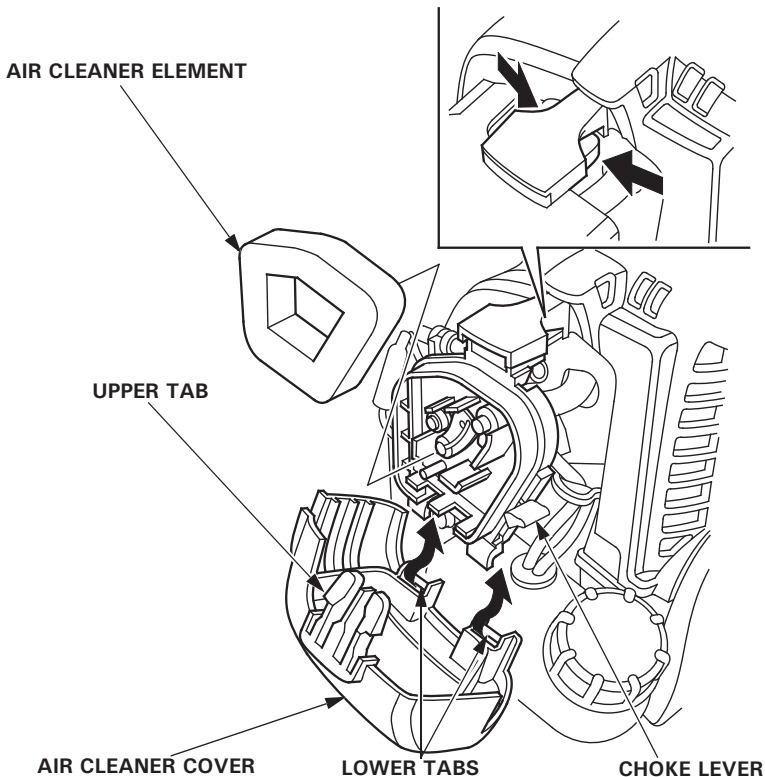
---

### 3. Check the air cleaner

#### CAUTION:

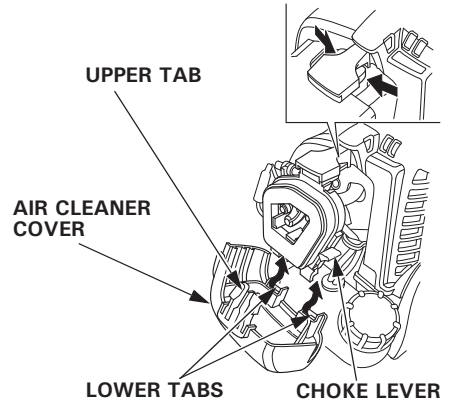
Never run the engine without the air cleaner; rapid engine wear will result.

1. Move the choke lever to the CLOSED (upwards) position.
2. Remove the air cleaner cover by unhooking the upper tab on the top of the air cleaner cover and its two lower tabs.
3. Check the air cleaner element for dirt or obstruction.  
Clean the air cleaner element, if it is dirty (see page 45).
4. Reinstall the air cleaner element.
5. Reinstall the air cleaner cover by inserting the lower tabs, then insert the upper tab.

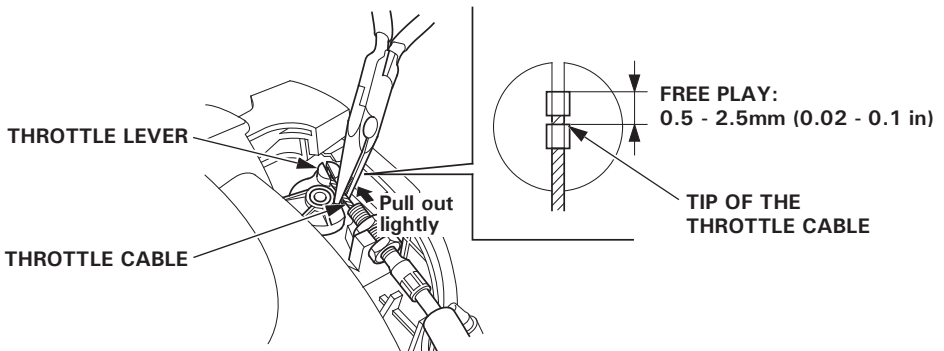


#### 4. Check the throttle cable free play

1. Move the choke lever to the CLOSED (upwards) position.
2. Remove the air cleaner cover by unhooking the upper tab on the top of the air cleaner cover and its two lower tabs.



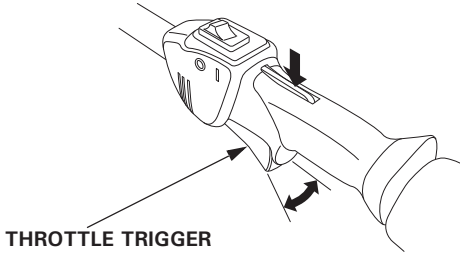
3. Pull out the throttle cable lightly and check the extended length of the throttle cable at the end of the cable. It should be 0.5–2.5 mm (0.02–0.1 in). (Take care not to damage the throttle cable.) Adjust if the measurement exceeds the specification (see page 49).



---

4. Operate the throttle system several times and check it has the free play (i.e. throttle lever does not move while operating the throttle trigger).

- Check the throttle trigger operates smoothly and always spring back to the idle position.



If there is any abnormality, the throttle system must be serviced. Consult with your authorized Honda dealer.

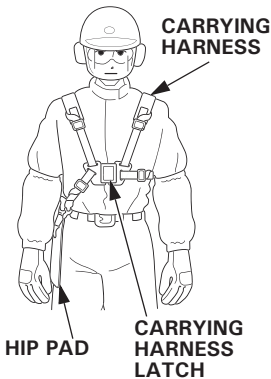
## 5. Adjustment of the carrying harness

### ⚠ WARNING

Be sure to wear the carrying harness before using the power head. Otherwise, injuries might occur due to its instability.

1. Wear the carrying harness so that the hip pad is on the right side of your body
  - Make sure the harness does not twist.
  - If the carrying harness is for both shoulders, firmly secure the carrying harness latch on the front of your body until it clicks. To unlock the carrying harness latch, pull the harness to the right and to the left while pressing the latch.

For both shoulders  
(UMC435E · UMC435U)



For single shoulder  
(UMC425E)

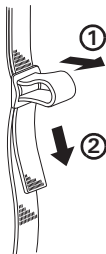


For single shoulder  
(UMC425U)



2. Adjust the length of the harness as shown in the figures below.

To make it shorter



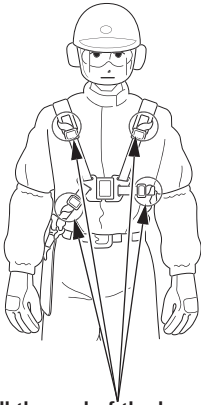
To make it longer



---

3. Roll the end of the harness toward your body and fasten it.

(UMC435E · UMC435U)



Roll the end of the harness and fasten it.  
(There is one applicable point on the back side of your body)

(UMC425E)



(UMC425U)

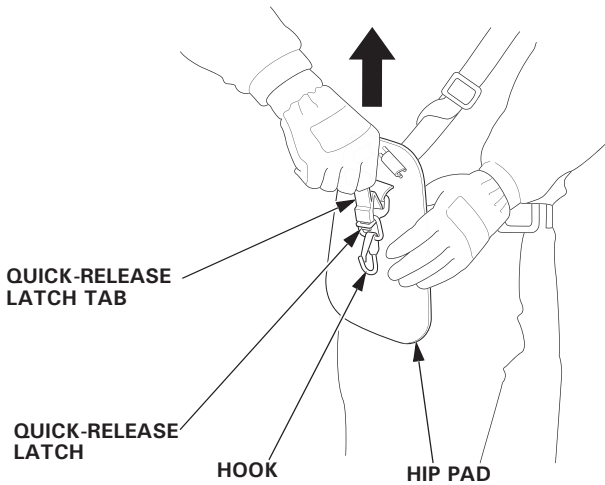


Roll the end of the harness and fasten it.

---

## 6. Check the quick-release latch

1. Put on the carrying harness.
2. Check the latch is released as soon as the quick-release latch tab is pulled upwards while holding the hip pad with your left hand.
3. Insert the latch tongue in the slot of the quick-release latch to reattach the power head to the carrying harness.



If the latch is not released, have your device inspected and repaired by your servicing dealer.



## 7.Attachment installation/removal

### Check the joint area :

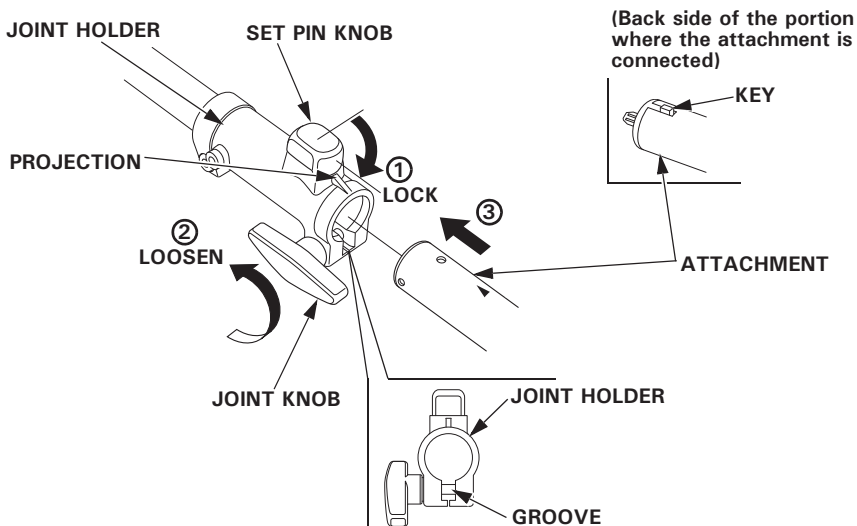
- 1.Check if the set pin knob moves smoothly.
- 2.Check if the joint knob tightens and loosens smoothly, and if there is no any damage.
- 3.Make sure there is no debris in the groove and inside the joint holder.

### Installation:

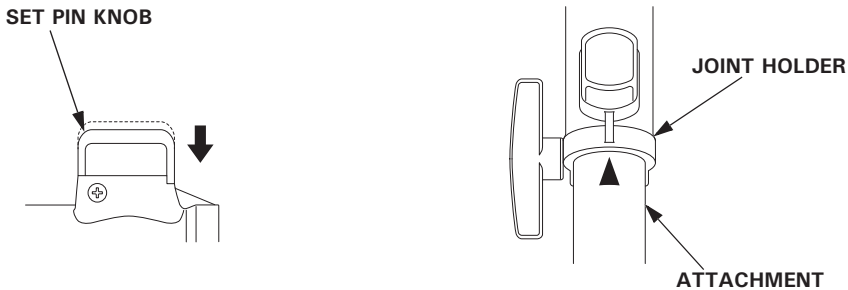
#### ▲WARNING

The engine shall not be started until the attachment is attached to the power head. Otherwise, injuries might occur, for example, when your fingers touch the joint opening.

- 1.Put the set pin knob to the lock position and loosen the joint knob.
- 2.Align the " ▲ " mark on the attachment with the joint projection. Or, align the key of the attachment with the joint groove.

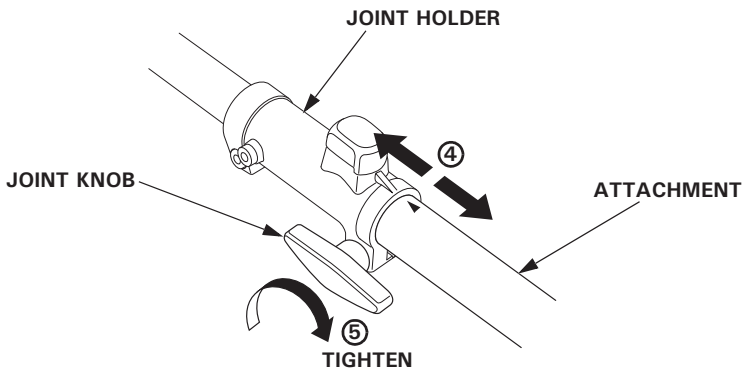


3. Insert the attachment until the set pin knob clicks. Confirm the "▲" mark on the attachment is at the joint holder end.



4. Pull the attachment and joint holder to the arrow direction to check that the attachment will not come loose.

5. Tighten the joint knob.



**CAUTION:**

When you place the power head with the recoil starter facing down, be careful not to make impact to the recoil starter. Recoil starter or the engine might get damaged from the impact.

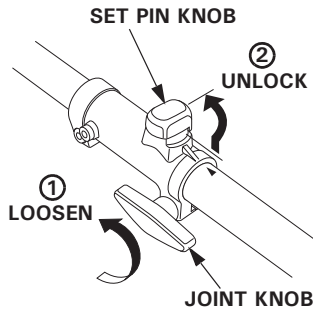
---

## Removal:

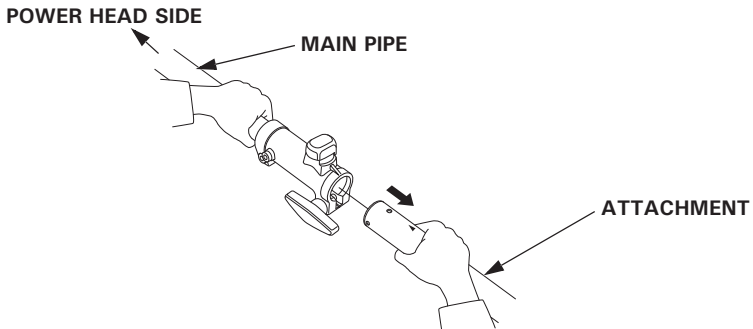
### **⚠ WARNING**

Be sure to turn off the engine switch. Confirm that the engine and the attachment is completely stopped before detaching the attachment. If the attachment is still moving, personal injury or equipment damage may occur.

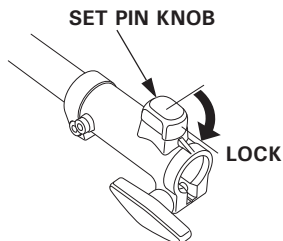
1. Loosen the joint knob.
2. Pull up the set pin knob to the unlock position.



3. Hold the main pipe on the power head side and detach the attachment.



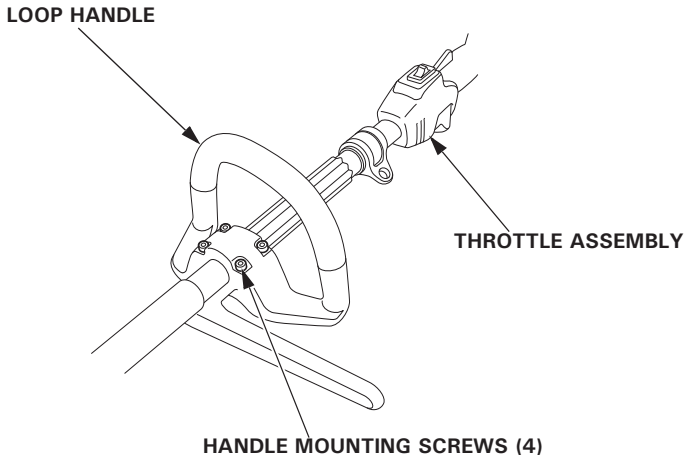
4. Put the set pin knob to the lock position.



---

## 8. Check all bolts and nuts

1. Check each bolt and nut for looseness. Tighten them securely if necessary.
2. Check the handle for loose mounting bolts or screws, and tighten them securely if necessary.



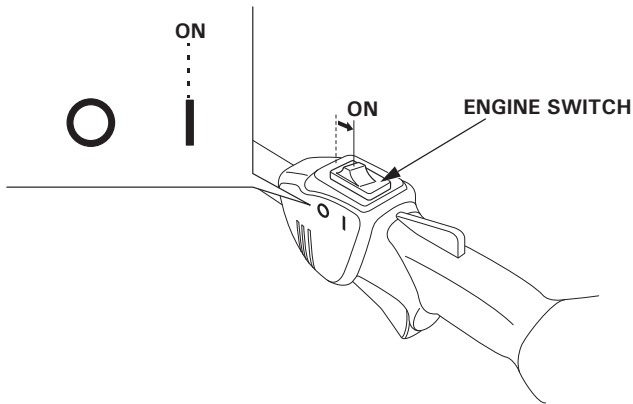
## 6. STARTING THE ENGINE

---

### ▲WARNING

- Exhaust gas contains poisonous carbon monoxide. Never run the engine in an enclosed area. Be sure to provide adequate ventilation.
- Start the engine in a place away from the people, pets, and surrounding buildings. Be sure there are no obstacles in the working area.

1. Move the engine switch to the ON position.



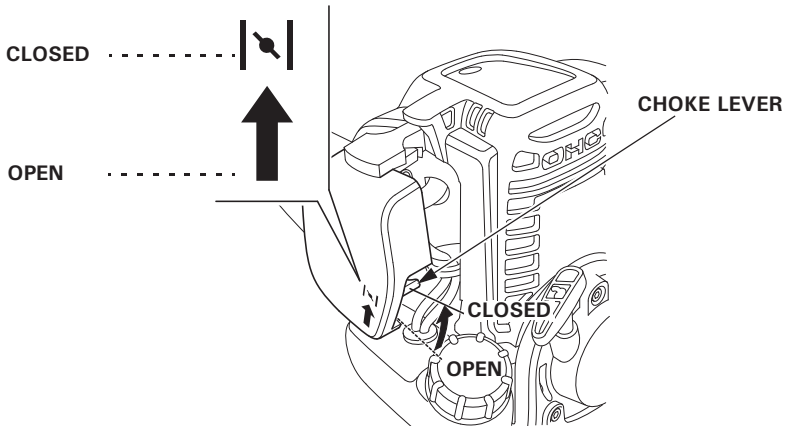
---

2. To start a cold engine, move the choke lever to the CLOSED position.

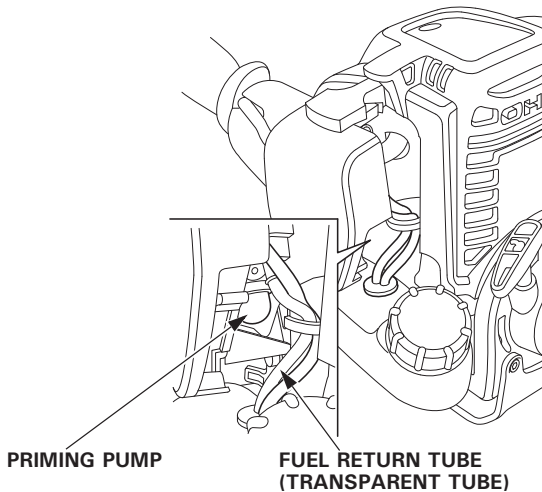
To restart warm engine, leave the choke lever in the OPEN position.

**NOTE:**

Do not use the choke if the engine is warm or the air temperature is high.



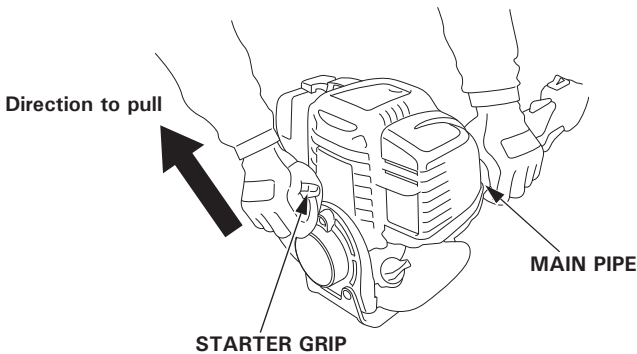
3. Press the priming pump several times until a flow in the fuel return tube (transparent tube) is visually noticed.



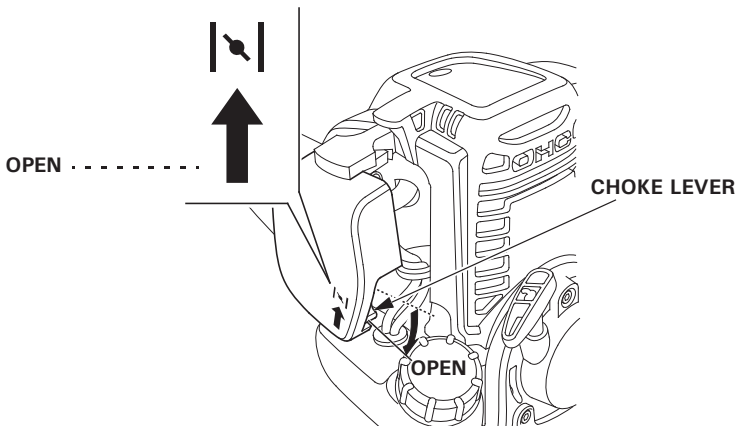
4. Pull the starter grip lightly until you feel resistance while holding the main pipe, then pull briskly in the direction of the arrow as shown below. Return the starter grip gently.

**CAUTION:**

- Do not allow the starter grip to snap back against the engine. Return it gently to prevent damage to the starter.
- Damage may result if the starter grip is pulled while the engine is running.



5. If the choke lever has been moved to the CLOSED position to start the engine, gradually move it to the OPEN position as the engine warms up.



---

## **Carburetor Modification for High Altitude Operation.**

At high altitude, the standard carburetor air-fuel mixture will be too rich. Performance will decrease, and fuel consumption will increase. A very rich mixture will also foul the spark plugs and cause hard starting. Operation at an altitude that differs from that at which this engine was certified, for extended periods of time, may increase emissions.

High altitude performance can be improved by specific modifications to the carburetor. If you always operate your power head at altitudes above 1,500 meters (5,000 feet), have your dealer perform this carburetor modification. This engine, when operated at high altitude with the carburetor modifications for high altitude use, will meet each emission standard throughout its useful life.

Even with carburetor modification, engine horsepower will decrease about 3.5% for each 300-meter (1,000-foot) increase in altitude. The effect of altitude on horsepower will be greater than this if no carburetor modification is made.

### **CAUTION:**

**When the carburetor has been modified for high altitude operation, the air-fuel mixture will be too lean for low altitude use. Operation at altitudes below 1,500 meters (5,000 feet) with a modified carburetor may cause the engine to overheat and result in serious engine damage. For use at low altitudes, have your servicing dealer return the carburetor to original factory specifications.**



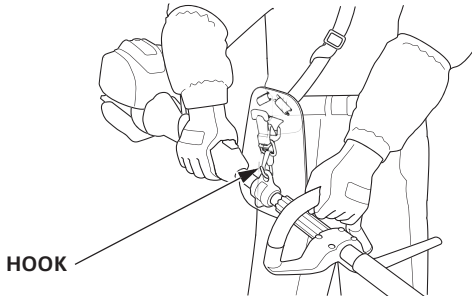
## 7. OPERATION

---

Read and understand the safety instructions on pages 3 to 10 before operating the power head.

If you notice any abnormal sound, smell, vibration, or other unusual signs, stop the engine immediately and consult your authorized Honda dealer.

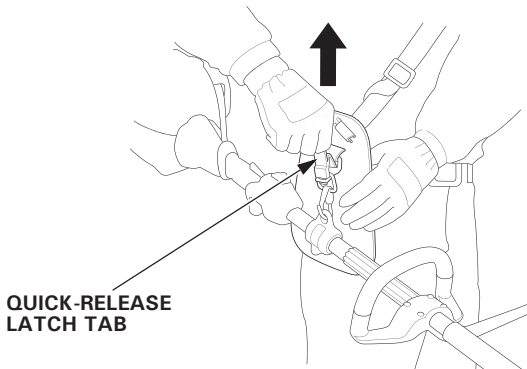
With the engine idling, hook the power head to your carrying harness and hold the power head at the correct position.



Hold the power head firmly with both hands, with your fingers and thumbs encircling the handles as shown. This will help you to keep the power head under control at all times.

For how to use the attachments, read and follow the instructions in the owner's manual that came with each attachments.

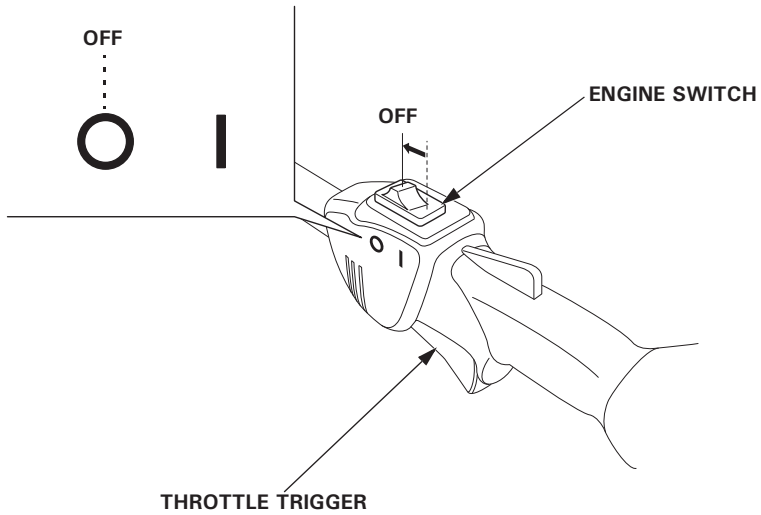
In an emergency, pull up the quick-release latch tab to detach the power head from the carrying harness.



## 8. STOPPING THE ENGINE

---

1. Release the throttle trigger.
2. Move the engine switch to the OFF position.



## 9. MAINTENANCE

---

### **▲WARNING**

- Before performing any maintenance, place the power head on a level surface, stop the engine and make sure that the engine switch is in the OFF position to be certain the engine will not start accidentally.
- The power head should be serviced by an authorized Honda dealer unless the owner has proper tools and service data and feels he is mechanically qualified.

### **CAUTION:**

**Use genuine Honda parts or their equivalent for maintenance or repair. Replacement parts which are not of equivalent quality may damage the power head.**

Periodic inspection and adjustment of the Honda UMC425E, UMC435E, UMC425U, UMC435U are essential if high level performance is to be maintained. Regular maintenance will also help to extend service life. The required service intervals and the kind of maintenance to be performed are described in chart on the following page 41.

## Maintenance schedule

REGULAR SERVICE PERIOD (1) Perform at every indicated month or operating hour interval, whichever comes first.		Each use	First month or 10 hrs.	Every 3 months or 25 hrs.	Every 6 months or 50 hrs.	Every year or 100 hrs.	Every 2 years or 300 hrs.	Refer to page
ITEM								
Engine oil	Check level	o						19
	Change		o		o			43
Air cleaner	Check	o						24
	Clean			o (3)				45, 46
Spark plug	Check-adjust					o		47
	Replace						o	
Throttle cable	Check	o						25, 49
Throttle trigger	Check	o						26
Engine cooling fins	Check-clean				o			51
Shoulder harness quick-release	Check	o						29
Set pin knob	Check	o						30
Joint knob	Check	o						30
Around the joint holder	Check	o						30
Nuts, bolts, fasteners (Retighten if necessary)	Check	o						33
Fuel tank	Clean					o		52
Fuel filter	Clean					o		52
Clutch shoes	Check				o (2)			-
Idle speed	Check-adjust					o (2)		-
Valve clearance	Check-adjust					o (2)		-
Timing belt	Check	After every 300 hrs. (2)(4)						-
Combustion chamber	Clean	Every 300 hrs. (2)						-
Fuel tubes	Check	Every 2 years (Replace if necessary.) (2)						-
Oil tube	Check	Every 2 years (Replace if necessary.) (2)						-

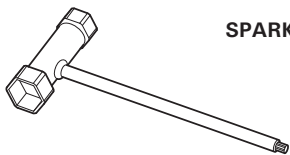
### NOTE:

- (1) For professional commercial use, log hours of operation to determine proper maintenance intervals.
- (2) These items should be serviced by your servicing dealer, unless you have the proper tools and are mechanically proficient. Refer to the Honda shop manual for service procedures.
- (3) Service more frequently when used in dusty areas.
- (4) Check that there is no crack and abnormal wear-out in the belt, and replace if it is abnormal.

---

## Tool kit

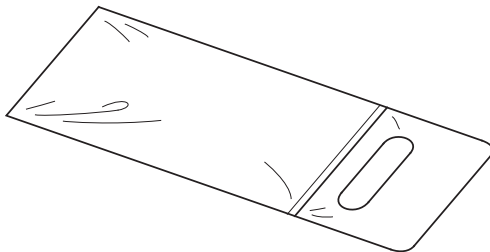
The tools supplied are necessary for performing some periodic maintenance, simple adjustments and repairs.



**SPARK PLUG WRENCH**



**4 mm HEXAGON WRENCH**



**TOOL BAG  
(UMC425U, UMC435U only)**

## 1. Engine oil change

### CAUTION:

If the engine has been running, the engine, muffler and the engine oil are very hot and they remain hot for a while after stopping the engine. To protect you from burn, wait until they cool down before starting the oil change.

### NOTE:

Drain the oil while the engine is still warm to assure rapid and complete draining.

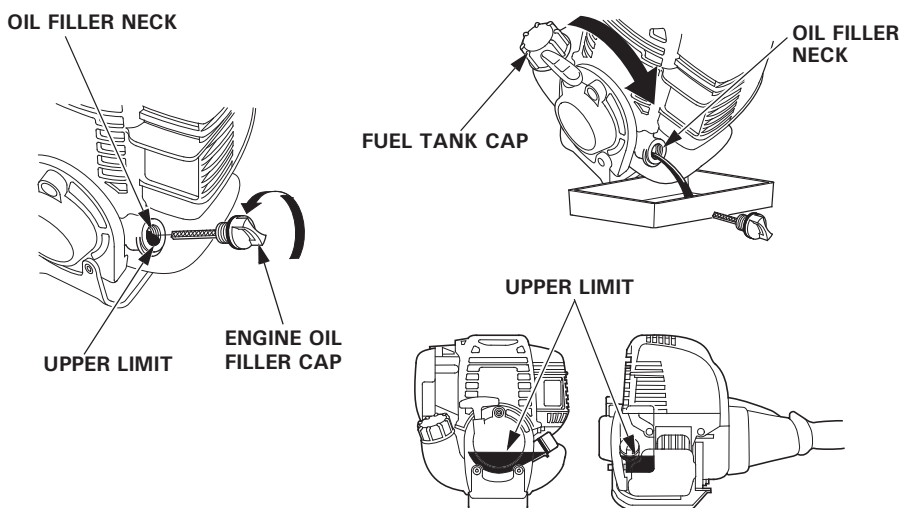
1. Check the fuel tank cap is tightened.
2. Remove the oil filler cap and drain the oil into the oil container by tipping the engine toward the oil filler neck.
3. Refill with the recommended oil (see page 20) and check the oil level (see page 19).
4. Reinstall the oil filler cap securely.

### ENGINE OIL CAPACITY

UMC425E, UMC425U: 0.08 L (0.08 US qt, 0.07 Imp qt)

UMC435E, UMC435U: 0.10 L (0.11 US qt, 0.09 Imp qt)

Wash your hands with soap and water after handling used oil.



---

**NOTE:**

Please dispose of used motor oil in a manner that is compatible with the environment. We suggest you take it in a sealed container to your local service station for reclamation. Do not throw it in the trash or pour it on the ground.

---

## 2. Air cleaner service

A dirty air cleaner will restrict air flow to the carburetor. To prevent carburetor malfunction, service the air cleaner regularly. Service more frequently when operating the power head in extremely dusty areas.

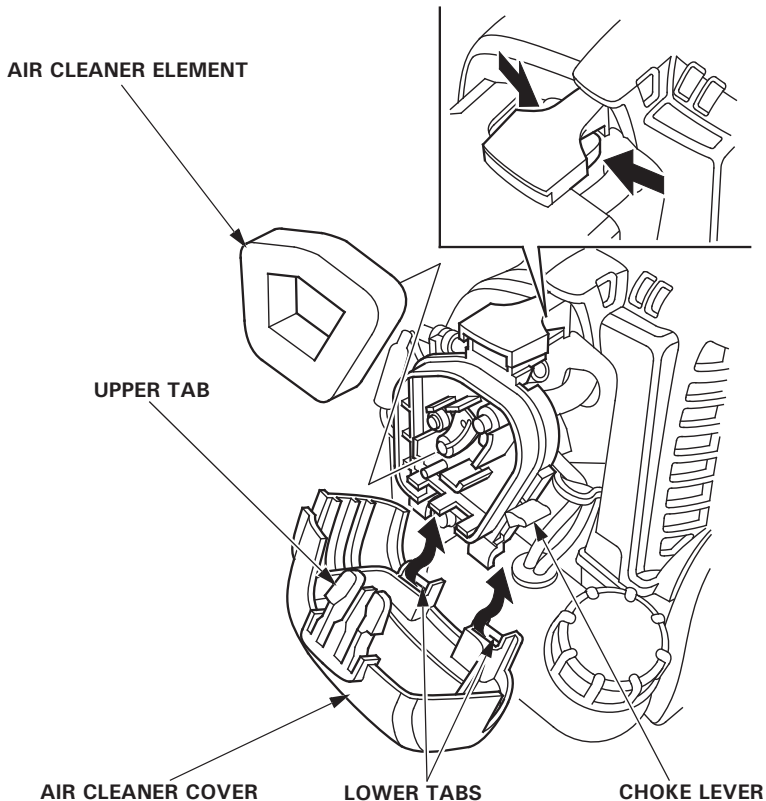
### **▲WARNING**

**Never use gasoline or low flash point solvents for cleaning the air cleaner element. A fire or explosion could result.**

### **CAUTION:**

**Never run the engine without the air cleaner. Rapid engine wear will result.**

1. Move the choke lever to the CLOSED (upwards) position.
2. Remove the air cleaner cover by unhooking the upper tab on the top of the air cleaner cover and its two lower tabs.





---

3. Clean in warm soapy water, rinse and allow to dry thoroughly. Or clean in high flash point solvent and allow to dry. Dip the element in clean engine oil and squeeze out all the excess. The engine will smoke during initial startup if too much oil is left in the foam.

Clean

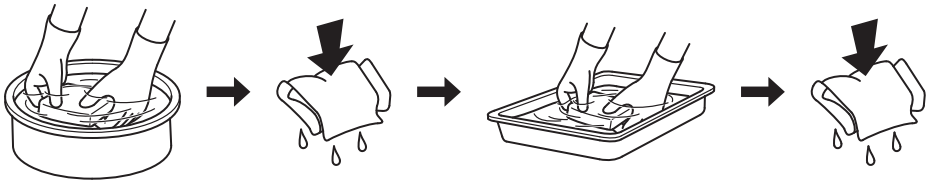
Squeeze and dry

Dip in oil

Squeeze

Do not twist.

Do not twist.



- 4. Reinstall the air cleaner element.
- 5. Reinstall the air cleaner cover by inserting the lower tabs, then insert the upper tab.

---

### 3. Spark plug service

**Recommended spark plug:** CMR5H (NGK)

To ensure proper engine operation, the spark plug must be properly gapped and free of deposits.

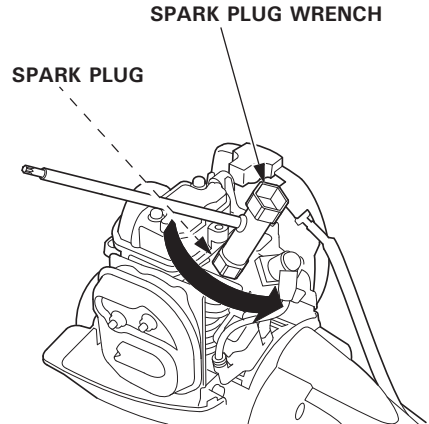
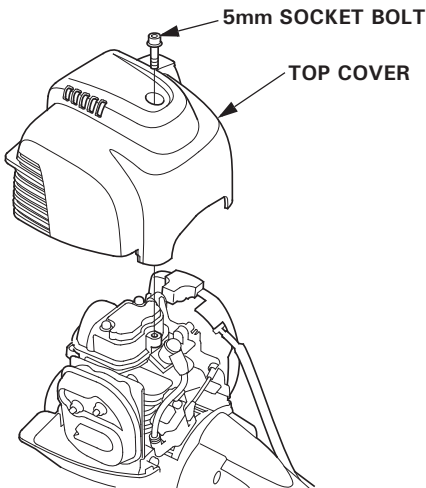
**▲WARNING**

If the engine has been running, the muffler will be very hot, be careful not to touch the muffler.

**CAUTION:**

**Never use a spark plug of incorrect heat range.**

1. Loosen the 5 mm hex socket bolt with a hexagon wrench, then remove the top cover.
2. Remove the spark plug cap and use the proper size spark plug wrench to remove the spark plug.



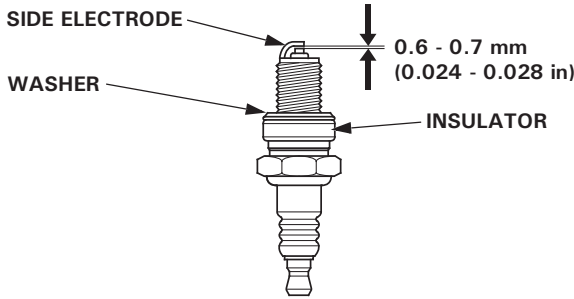
3. Visually inspect the spark plug. Discard it if there is apparent wear or the insulator is cracked or chipped. Clean the spark plug with a wire brush if it is to be reused.

---

4. Measure the plug gap with a feeler gauge.

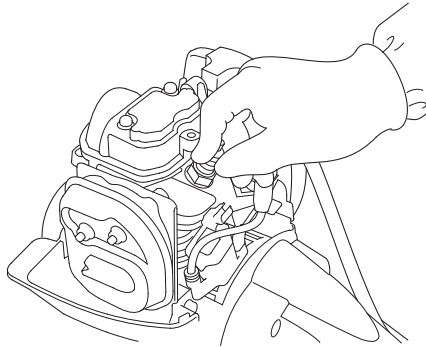
Correct as necessary by carefully bending the side electrode.

The gap should be: 0.6 – 0.7 mm (0.024 – 0.028 in)



5. Check that the spark plug washer is in good condition and thread the spark plug in by hand to prevent cross-threading.

6. After the spark plug is seated, tighten with a spark plug wrench to compress the washer.



**NOTE:**

If installing a new spark plug, tighten 1/2 turn after the spark plug seats to compress the washer. If reinstalling a used spark plug, tighten 1/8 – 1/4 turn after the spark plug seats to compress the washer.

**CAUTION:**

**The spark plug must be securely tightened. An improperly tightened plug can become very hot and possibly damage the engine.**

7. Attach the spark plug cap.

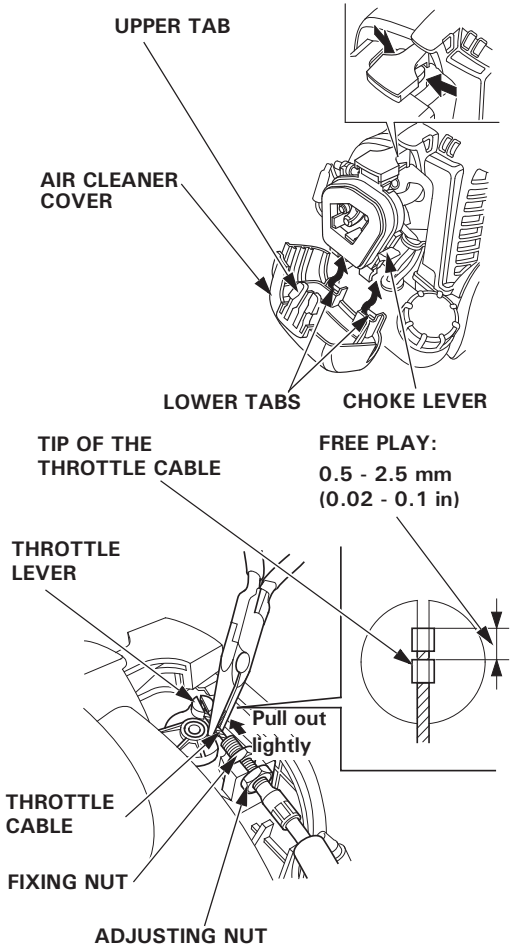
8. Install the top cover, and tighten the 5 mm hex socket bolt with a hexagon wrench securely.

#### 4. Throttle cable check and adjustment

Adjust the throttle cable free play properly.

##### Adjustment:

1. Move the choke lever to the CLOSED (upwards) position.
2. Remove the air cleaner cover by unhooking the upper tab on the top of the air cleaner cover and its two lower tabs.
3. Pull out the throttle cable lightly and turn the adjusting nut to adjust the extended length of the throttle cable at the end of the cable to 0.5 – 2.5 mm (0.02 – 0.1 in). (Take care not to damage the throttle cable.)

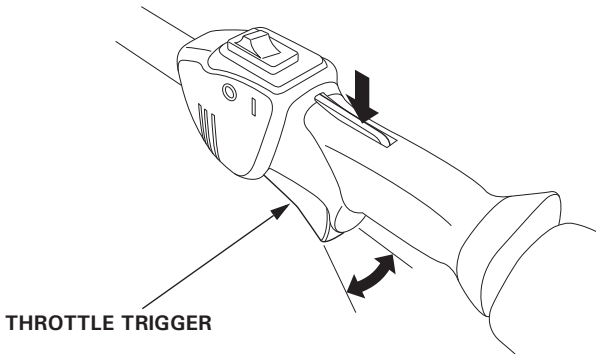


---

4. Tighten the throttle cable fixing nut securely.

5. Operate the throttle system several times and check it has the free play (i.e. throttle lever does not move while operating the throttle trigger).

After adjustment, check the throttle trigger for smooth operation. Consult your authorized Honda dealer if necessary.



6. Reinstall the air cleaner cover by inserting the lower tabs, then insert the upper tab.

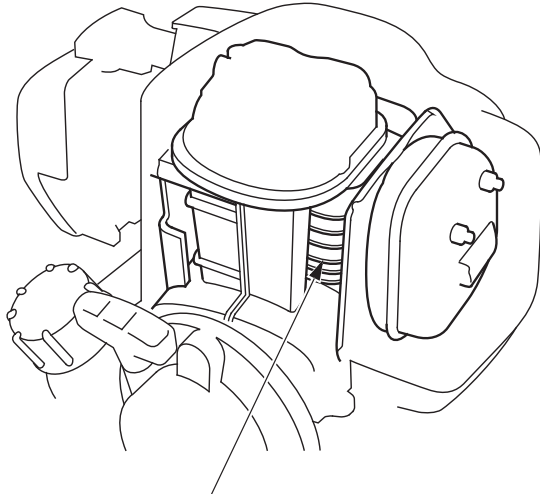
**CAUTION:**

- After removing the air cleaner cover, reinstall the air cleaner cover securely. Failure to tighten the cover securely may cause the cover to come out of position by vibration or some sort of engine malfunction.
- Operating the engine without the air cleaner or improperly installed air cleaner will allow dirt to enter the inside of the engine, causing adverse effect to the engine.

---

## 5. Engine cooling fin inspection

Inspect the cooling fin visually through the cover. If there are dry grass, leaves and mud clogged, consult your authorized Honda dealer for cleaning it.



**COOLING FINS**  
(Inside the top cover)

---

## 6. Fuel filter service/Fuel tank cleaning

Note that the clogged fuel filter can cause poor engine performance.

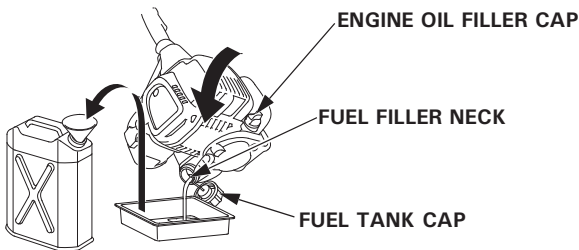
Water and dust, dirt or foreign material in the fuel tank cause a poor engine performance.

### ▲WARNING

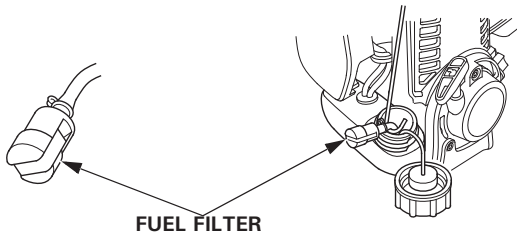
**Gasoline is extremely flammable and is explosive under certain conditions. You can be burned or seriously injured when handling fuel. Observe the following when servicing the fuel filter and cleaning the fuel tank.**

- Stop the engine.
- Inspect in a well-ventilated area.
- Keep heat, sparks, and flame away. Do not smoke.
- Do not spill the gasoline. If you spilled the gasoline, wipe it up immediately and dispose of the cloth or shop towel you wiped the spilled gasoline in a manner that is compatible with the environment.

1. Be sure that the engine oil filler cap is tightened securely.
2. Remove the fuel tank cap and drain the gasoline into the container by tipping the engine toward the fuel filler neck.



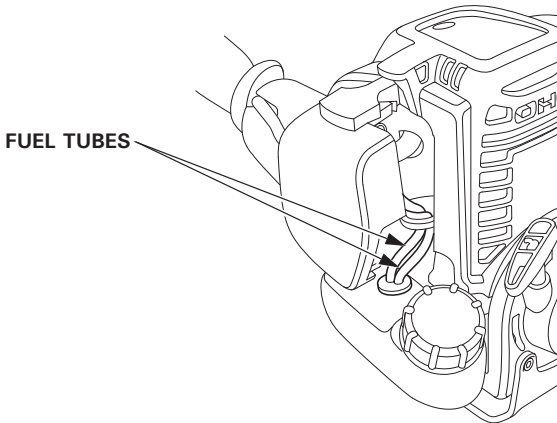
3. Pull out the fuel filter with the mechanic's wire from the fuel filler neck gently.
4. Check the fuel filter for contamination. If the fuel filter is dirty, wash it gently with nonflammable or high flash point solvent. If the fuel filter is excessively dirty, replace it.



- 
5. Remove water and dirt stood in the fuel tank by rinsing the inside of the fuel tank with nonflammable or high flash point solvent.
  6. Reinstall the fuel filter into the fuel tank and tighten the fuel tank cap securely.

## 7. Fuel tube check

Check fuel tubes for cracks and any other deterioration and confirm that there is no leakage of fuel on the fuel tubes. If you notice any abnormal symptoms on the fuel tubes, contact an authorized Honda dealer.





# 10. TRANSPORTING

---

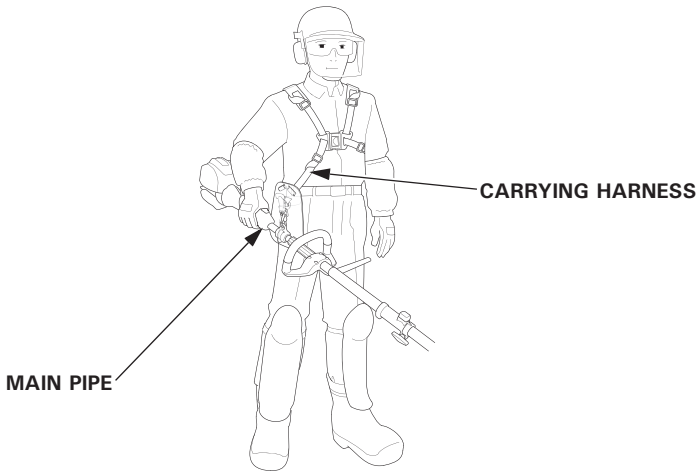
## CAUTION:

To avoid severe burns or fire hazards, let the engine cool before transporting the power head.

Always turn the engine switch to the OFF position. Make sure the fuel cap is securely tightened.

Carrying the power head by hand:

Attach it to the carrying harness or hold the main pipe to carry it in a good balance.



Transporting the power head by vehicle:

Secure the power head in level and make sure that it will not move or fall down.

Proper storage preparation is essential for keeping your power head trouble free and looking good. The following steps will help to keep rust and corrosion from impairing your power head.

### CAUTION:

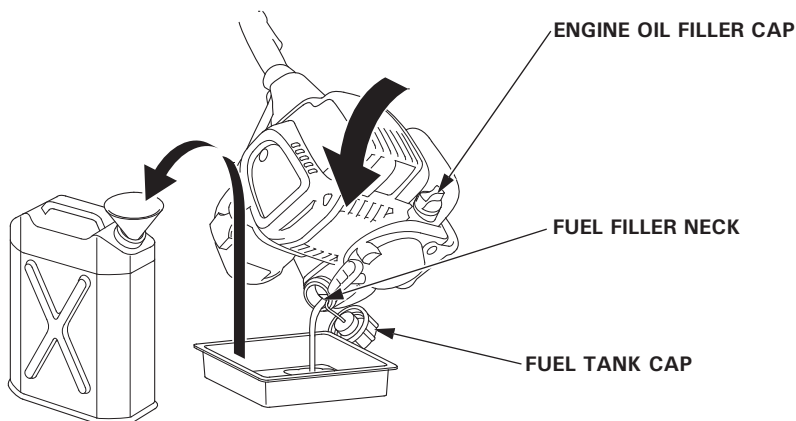
- If the power head has been running, the engine will be very hot; allow it to cool before proceeding.
- Place the power head on a level surface and make sure that the engine switch is in the OFF position to be certain the engine will not start accidentally.

1. Clean all exterior surfaces, touch up any damaged paint, and coat other areas that may rust with a light film of oil.
2. Drain the fuel.

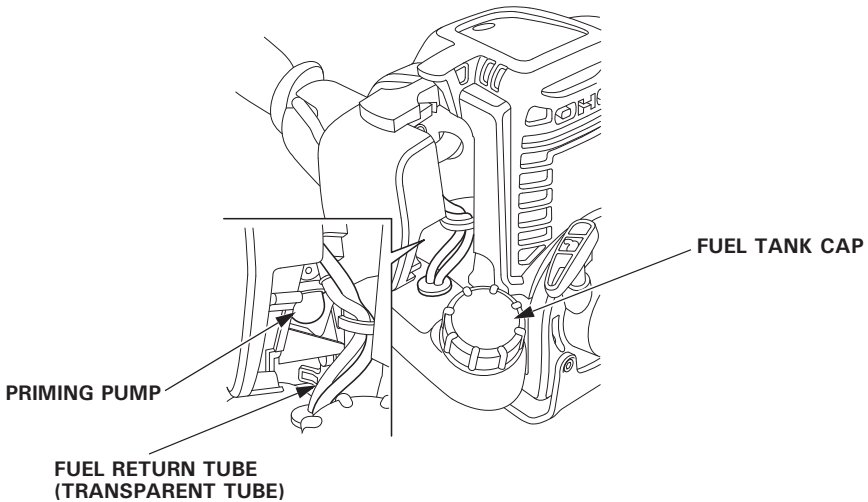
### ▲WARNING

**Gasoline is extremely flammable and explosive under certain conditions. Do not smoke or allow flames or sparks in the area.**

- a. Be sure that the engine oil filler cap is tightened securely.
- b. Remove the fuel tank cap and drain the fuel into the container by tipping the engine toward the fuel filler neck.



- 
- c. Press the priming pump several times until all fuel left in the fuel return tube is returned into the fuel tank.



- d. Tip the engine toward the fuel filler neck again to drain the fuel left in the fuel tank into the container.
- e. Tighten the fuel tank cap securely after draining the fuel completely.

**NOTE:**

- Deteriorated gasoline may cause unexpected damage to your engine.
- Gasoline should be stored in a clean container used exclusively for gasoline.
- Gasoline should be stored in a cool and well ventilated place.

3. Change the engine oil (see page 43).
4. Clean the air cleaner (see pages 45, 46).
5. Remove the top cover and remove the spark plug and pour about a tablespoon of clean engine oil into the cylinder.
6. Crank the engine several revolutions to distribute the oil, then reinstall the spark plug. Pull the starter grip slowly until resistance is felt. Reinstall the top cover.
7. Move the choke lever to the CLOSED position (see page 35).
8. Cover the power head and store in a dry, dust-free area.

### When the engine will not start:

1. Is the engine switch in the ON position?
2. Is there fuel in the fuel tank (see page 21)?

#### **▲WARNING**

**Gasoline is extremely flammable and explosive under certain conditions. Do not smoke or allow flames or sparks in the area.**

3. Is gasoline reaching the carburetor?  
To check, press the priming pump several times (see page 35).
4. Is the spark plug in good condition?  
Clean, readjust gap and dry the spark plug. Replace it if necessary (see page 47).
5. If the engine still does not start, take the power head to an authorized Honda dealer.

# 13. SPECIFICATIONS

---

MODEL	UMC425E	UMC435E
Description code	HACT	HADT

MODEL	UMC425U	UMC435U
Description code	HAET	HAFT

**Frame**

MODEL	UMC425E UMC425U	UMC435E UMC435U
Handle type	Loop	
Clutch type	Centrifugal clutch	
Overall length	1,135 mm (44.7 in)	1,145 mm (45.1 in)
Overall width	315 mm (12.4 in)	320 mm (12.6 in)
Overall height	245 mm (9.6 in)	255 mm (10.0 in)
Dry mass (weight)	5.1 kg (11.2 lbs)	6.0 kg (13.2 lbs)

**NOTE:**

Specifications may vary according to the types, and are subject to change without notice.

## Engine

MODEL	UMC425E	UMC425U
Engine model	GX25T	
Engine description code	GCALT	
Engine type	4-stroke, overhead cam, 1 cylinder	
Displacement	25.0 cm <sup>3</sup> (1.5 cu-in)	
Bore and Stroke	35.0 × 26.0 mm (1.4 × 1.0 in)	
Engine Net power (in accordance with SAE J1349*)	0.72 kW (1.0 ps)/7,000 rpm	
Engine max. Net torque (in accordance with SAE J1349*)	1.0 N·m (0.10 kgf·m, 0.74 lbf·ft)/5,000 rpm	
Idle speed	3,100 ± 200 rpm	
Maximum corresponding spindle speed	MIN. 10,000 rpm	
Cooling system	Forced air	
Ignition system	Transistor magneto	
Oil capacity	0.08 L (0.08 US qt, 0.07 Imp qt)	
Fuel tank capacity	0.58 L (0.153 US gal, 0.128 Imp gal)	
Spark plug	CMR5H (NGK)	

\* The power rating of the engine indicated in this document is the net power output tested on a production engine for the engine model and measured in accordance with SAE J1349 at 7,000 rpm (Engine Net Power) and at 5,000 rpm (Engine Max. Net Torque). Mass production engines may vary from this value.

Actual power output for the engine installed in the final machine will vary depending on numerous factors, including the operating speed of the engine in application, environmental conditions, maintenance, and other variables.

### NOTE:

Specifications may vary according to the types, and are subject to change without notice.

## Engine

MODEL	UMC435E	UMC435U
Engine model	GX35T	
Engine description code	GCAMT	
Engine type	4-stroke, overhead cam, 1 cylinder	
Displacement	35.8 cm <sup>3</sup> (2.18 cu-in)	
Bore and Stroke	39.0 × 30.0 mm (1.5 × 1.2 in)	
Engine Net power (in accordance with SAE J1349*)	1.0 kW (1.4 ps)/7,000 rpm	
Engine max. Net torque (in accordance with SAE J1349*)	1.6 N·m (0.16 kgf·m, 1.2 lbf·ft)/5,500 rpm	
Idle speed	3,100 ± 200 rpm	
Maximum corresponding spindle speed	MIN. 10,000 rpm	
Cooling system	Forced air	
Ignition system	Transistor magneto	
Oil capacity	0.10 L (0.11 US qt, 0.09 Imp qt)	
Fuel tank capacity	0.63 L (0.166 US gal, 0.139 Imp gal)	
Spark plug	CMR5H (NGK)	

\* The power rating of the engine indicated in this document is the net power output tested on a production engine for the engine model and measured in accordance with SAE J1349 at 7,000 rpm (Engine Net Power) and at 5,500 rpm (Engine Max. Net Torque). Mass production engines may vary from this value.

Actual power output for the engine installed in the final machine will vary depending on numerous factors, including the operating speed of the engine in application, environmental conditions, maintenance, and other variables.

### NOTE:

Specifications may vary according to the types, and are subject to change without notice.

## Noise and vibration (For european model)

MODEL		UMC425E	
ATTACHMENT		Brush cutter	Grass trimmer
Sound pressure level at operator's ears EN ISO 22868: 2011		92 dB (A)	97 dB (A)
Uncertainty		1 dB (A)	1 dB (A)
Measured sound power level (2000/14/EC, 2005/88/EC)		102 dB (A)	111 dB (A)
Uncertainty		1 dB (A)	1 dB (A)
Guaranteed sound power level (2000/14/EC, 2005/88/EC)		112 dB (A)	112 dB (A)
Vibration level at hand arm (EN ISO 22867: 2011)	Fr.	4.7 m/s <sup>2</sup>	5.8 m/s <sup>2</sup>
	Rr.	6.5 m/s <sup>2</sup>	5.8 m/s <sup>2</sup>
Uncertainty (EN 12096: 1997 Annex D)	Fr.	2.4 m/s <sup>2</sup>	2.3 m/s <sup>2</sup>
	Rr.	2.6 m/s <sup>2</sup>	2.3 m/s <sup>2</sup>

MODEL		UMC425E		
ATTACHMENT		Pruner		Blower
		Standard	Extension	
Sound pressure level at operator's ears EN ISO 22868: 2011		90 dB (A)		93 dB (A)
Uncertainty		1 dB (A)		1 dB (A)
Measured sound power level (2000/14/EC, 2005/88/EC)		104 dB (A)		105 dB (A)
Uncertainty		1 dB (A)		1 dB (A)
Guaranteed sound power level (2000/14/EC, 2005/88/EC)		107 dB (A)		107 dB (A)
Vibration level at hand arm (EN ISO 22867: 2011)	Fr.	4.4 m/s <sup>2</sup>	4.1 m/s <sup>2</sup>	5.0 m/s <sup>2</sup>
	Rr.	4.4 m/s <sup>2</sup>	6.5 m/s <sup>2</sup>	5.0 m/s <sup>2</sup>
Uncertainty (EN 12096: 1997 Annex D)	Fr.	2.2 m/s <sup>2</sup>	2.0 m/s <sup>2</sup>	2.5 m/s <sup>2</sup>
	Rr.	2.2 m/s <sup>2</sup>	2.6 m/s <sup>2</sup>	2.5 m/s <sup>2</sup>

### NOTE:

Specifications may vary according to the types, and are subject to change without notice.



## Noise and vibration (For european model)

MODEL		UMC425E		
ATTACHMENT		Hedge trimmer		
		Short	Long	Extension Long
Sound pressure level at operator's ears EN ISO 22868: 2011		90 dB (A)		
Uncertainty		1 dB (A)		
Measured sound power level (2000/14/EC, 2005/88/EC)		101 dB (A)		
Uncertainty		1 dB (A)		
Guaranteed sound power level (2000/14/EC, 2005/88/EC)		106 dB (A)		
Vibration level at hand arm (EN ISO 22867: 2011)	Fr.	5.9 m/s <sup>2</sup>	7.0 m/s <sup>2</sup>	3.5 m/s <sup>2</sup>
	Rr.	4.4 m/s <sup>2</sup>	4.5 m/s <sup>2</sup>	6.2 m/s <sup>2</sup>
Uncertainty (EN 12096: 1997 Annex D)	Fr.	2.4 m/s <sup>2</sup>	2.8 m/s <sup>2</sup>	1.7 m/s <sup>2</sup>
	Rr.	2.2 m/s <sup>2</sup>	2.3 m/s <sup>2</sup>	2.5 m/s <sup>2</sup>

MODEL		UMC425E		
ATTACHMENT		Edger		Cultivator
Sound pressure level at operator's ears EN ISO 22868: 2011		91 dB (A)		89 dB (A)
Uncertainty		1 dB (A)		2 dB (A)
Measured sound power level (EN ISO 22868: 2011)		102 dB (A)		102 dB (A)
Uncertainty		1 dB (A)		2 dB (A)
Guaranteed sound power level (EN ISO 22868: 2011)		106 dB (A)		106 dB (A)
Vibration level at hand arm (EN ISO 22867: 2011)	Fr.	4.8 m/s <sup>2</sup>		3.7 m/s <sup>2</sup>
	Rr.	6.2 m/s <sup>2</sup>		5.7 m/s <sup>2</sup>
Uncertainty (EN 12096: 1997 Annex D)	Fr.	2.4 m/s <sup>2</sup>		1.9 m/s <sup>2</sup>
	Rr.	2.5 m/s <sup>2</sup>		2.3 m/s <sup>2</sup>

### NOTE:

Specifications may vary according to the types, and are subject to change without notice.

## Noise and vibration (For european model)

MODEL		UMC435E	
ATTACHMENT		Brush cutter	Grass trimmer
Sound pressure level at operator's ears EN ISO 22868: 2011		92 dB (A)	97 dB (A)
Uncertainty		1 dB (A)	1 dB (A)
Measured sound power level (2000/14/EC, 2005/88/EC)		105 dB (A)	110 dB (A)
Uncertainty		1 dB (A)	1 dB (A)
Guaranteed sound power level (2000/14/EC, 2005/88/EC)		112 dB (A)	112 dB (A)
Vibration level at hand arm (EN ISO 22867: 2011)	Fr.	4.9 m/s <sup>2</sup>	5.5 m/s <sup>2</sup>
	Rr.	6.1 m/s <sup>2</sup>	6.8 m/s <sup>2</sup>
Uncertainty (EN 12096: 1997 Annex D)	Fr.	2.5 m/s <sup>2</sup>	2.2 m/s <sup>2</sup>
	Rr.	2.4 m/s <sup>2</sup>	2.7 m/s <sup>2</sup>

MODEL		UMC435E		
ATTACHMENT		Pruner		Blower
		Standard	Extension	
Sound pressure level at operator's ears EN ISO 22868: 2011		90 dB (A)		94 dB (A)
Uncertainty		2 dB (A)		2 dB (A)
Measured sound power level (2000/14/EC, 2005/88/EC)		105 dB (A)		105 dB (A)
Uncertainty		2dB (A)		2 dB (A)
Guaranteed sound power level (2000/14/EC, 2005/88/EC)		107 dB (A)		107 dB (A)
Vibration level at hand arm (EN ISO 22867: 2011)	Fr.	5.6 m/s <sup>2</sup>	3.0 m/s <sup>2</sup>	4.3 m/s <sup>2</sup>
	Rr.	4.3 m/s <sup>2</sup>	5.7 m/s <sup>2</sup>	5.0 m/s <sup>2</sup>
Uncertainty (EN 12096: 1997 Annex D)	Fr.	2.3 m/s <sup>2</sup>	1.5 m/s <sup>2</sup>	2.2 m/s <sup>2</sup>
	Rr.	2.1 m/s <sup>2</sup>	2.3 m/s <sup>2</sup>	2.5 m/s <sup>2</sup>

### NOTE:

Specifications may vary according to the types, and are subject to change without notice.

## Noise and vibration (For european model)

MODEL		UMC435E		
ATTACHMENT		Hedge trimmer		
		Short	Long	Extension Long
Sound pressure level at operator's ears EN ISO 22868: 2011		92 dB (A)		
Uncertainty		2 dB (A)		
Measured sound power level (2000/14/EC, 2005/88/EC)		104 dB (A)		
Uncertainty		2 dB (A)		
Guaranteed sound power level (2000/14/EC, 2005/88/EC)		106 dB (A)		
Vibration level at hand arm (EN ISO 22867: 2011)	Fr.	6.9 m/s <sup>2</sup>	5.9 m/s <sup>2</sup>	3.7 m/s <sup>2</sup>
	Rr.	4.2 m/s <sup>2</sup>	4.1 m/s <sup>2</sup>	5.8m/s <sup>2</sup>
Uncertainty (EN 12096: 1997 Annex D)	Fr.	2.8 m/s <sup>2</sup>	2.4 m/s <sup>2</sup>	1.8 m/s <sup>2</sup>
	Rr.	2.1 m/s <sup>2</sup>	2.1 m/s <sup>2</sup>	2.3 m/s <sup>2</sup>

MODEL		UMC435E	
ATTACHMENT		Edger	Cultivator
Sound pressure level at operator's ears EN ISO 22868: 2011		91 dB (A)	91 dB (A)
Uncertainty		1 dB (A)	2 dB (A)
Measured sound power level (EN ISO 22868: 2011)		105 dB (A)	104 dB (A)
Uncertainty		1 dB (A)	2 dB (A)
Guaranteed sound power level (EN ISO 22868: 2011)		106 dB (A)	106 dB (A)
Vibration level at hand arm (EN ISO 22867: 2011)	Fr.	6.0 m/s <sup>2</sup>	4.3 m/s <sup>2</sup>
	Rr.	6.3 m/s <sup>2</sup>	6.5 m/s <sup>2</sup>
Uncertainty (EN 12096: 1997 Annex D)	Fr.	2.4 m/s <sup>2</sup>	2.2 m/s <sup>2</sup>
	Rr.	2.5 m/s <sup>2</sup>	2.6 m/s <sup>2</sup>

### NOTE:

Specifications may vary according to the types, and are subject to change without notice.

### Noise and vibration (For Australian model)

MODEL		UMC425U	
ATTACHMENT		Brush cutter	Grass trimmer
Sound pressure level (Australia New South Wales standard)		69 dB (A)	75 dB (A)
Sound pressure level at ears	Fr.	(AS3575: 1995 + Amdt1:1997)	95 dB (A)
			101 dB (A)
Vibration level	Rr.		8 m/s <sup>2</sup>
			10 m/s <sup>2</sup>

MODEL		UMC425U	
ATTACHMENT		Pruner	Blower
Sound pressure level (Australia New South Wales standard)		72 dB (A)	77 dB (A)

MODEL		UMC425U	
ATTACHMENT		Hedge trimmer	Edger
Sound pressure level (Australia New South Wales standard)		70 dB (A)	70 dB (A)

MODEL		UMC425U	
ATTACHMENT		Cultivator	
Sound pressure level (Australia New South Wales standard)		69 dB (A)	

**NOTE:**

Specifications may vary according to the types, and are subject to change without notice.

**Noise and vibration (For Australian model)**

MODEL		UMC435U	
ATTACHMENT		Brush cutter	Grass trimmer
Sound pressure level (Australia New South Wales standard)		72 dB (A)	77 dB (A)
Sound pressure level at ears	Fr.	(AS3575: 1995 + Amdt1:1997)	96 dB (A)
			101 dB (A)
Vibration level	Rr.		9 m/s <sup>2</sup>
			11 m/s <sup>2</sup>
			12 m/s <sup>2</sup>

MODEL		UMC435U	
ATTACHMENT		Pruner	Blower
Sound pressure level (Australia New South Wales standard)		75 dB (A)	77 dB (A)

MODEL		UMC435U	
ATTACHMENT		Hedge trimmer	Edger
Sound pressure level (Australia New South Wales standard)		73 dB (A)	72 dB (A)

MODEL		UMC435U	
ATTACHMENT		Cultivator	
Sound pressure level (Australia New South Wales standard)		72 dB (A)	

**NOTE:**

Specifications may vary according to the types, and are subject to change without notice.

**Honda UMC425E • UMC435E  
UMC425U • UMC435U**

**MANUEL DE L'UTILISATEUR**  
Notice originale



ECOLOGY CONSCIOUS TECHNOLOGY

Le label “e-SPEC” a été créé à l'origine pour illustrer notre engagement dans la “préservation de la nature pour les générations futures” et pour témoigner de nos efforts en ce sens.

# INTRODUCTION

---

Nous vous remercions d'avoir porté votre choix sur un bloc-moteur Honda.

Le bloc-moteur UMC425E, UMC435E, UMC425U et UMC435U de Honda peut être utilisé avec différents accessoires approuvés par Honda pour exécuter diverses opérations.

Ce manuel explique le fonctionnement et l'entretien du bloc-moteur UMC425E • UMC435E • UMC425U • UMC435U de Honda.

Honda Motor CO., Ltd. se réserve le droit d'effectuer des changements à tout moment, sans préavis et sans aucune obligation.

Aucune partie de cette publication ne peut être reproduite sans autorisation écrite.

Le présent manuel doit être considéré comme une partie intégrante du bloc-moteur et doit être retransmis en cas de revente.

Une attention particulière doit être accordée aux articles précédés des mots suivants :

**▲ ATTENTION** Signale une forte possibilité de blessures corporelles graves, voire un danger mortel si les instructions ne sont pas suivies.

**PRECAUTION** : Signale une possibilité de blessures corporelles graves ou de détérioration de l'équipement si les instructions ne sont pas suivies.

**NOTE** : Fournit des informations utiles.

En cas de problème ou de questions concernant le bloc-moteur, consultez un concessionnaire agréé Honda.

Le bloc-moteur Honda est conçu pour assurer un service sûr et fiable s'il est utilisé conformément aux instructions.

**▲ ATTENTION**  
L'utilisation d'un bloc-moteur exige un effort particulier pour assurer la sécurité de l'utilisateur et des autres. Lisez et étudiez le présent manuel de l'utilisateur avant d'utiliser le bloc-moteur ; le non-respect de ces consignes peut entraîner des blessures ou endommager l'équipement.

Les illustrations du présent document sont essentiellement basées sur le modèle : UMC435E

- Les illustrations peuvent varier selon le modèle.

---

**Mise au rebut**

En respect pour l'environnement, ne jetez pas ce produit, la batterie, l'huile moteur, etc., aux ordures. Respectez la réglementation locale ou consultez un concessionnaire Honda agréé pour la mise au rebut.



# SOMMAIRE

---

1. CONSIGNES DE SÉCURITÉ.....	3
2. EMBLACEMENT DES AUTOCOLLANTS DE SÉCURITÉ .....	11
3. IDENTIFICATION DES ÉLÉMENTS.....	13
4. COMMANDES .....	15
5. CONTRÔLES AVANT L'UTILISATION .....	19
6. MISE EN MARCHÉ DU MOTEUR.....	34
7. FONCTIONNEMENT .....	38
8. ARRÊT DU MOTEUR.....	39
9. ENTRETIEN.....	40
10. TRANSPORT.....	54
11. REMISAGE.....	55
12. DÉPANNAGE .....	57
13. SPÉCIFICATIONS .....	58
ADRESSES DES PRINCIPAUX CONCESSIONNAIRES	
HONDA .....	À l'intérieur de la couverture
DESCRIPTION DU CONTENU de la "Déclaration de	
conformité CE" .....	À l'intérieur de la couverture

# 1. CONSIGNES DE SÉCURITÉ

## ▲ ATTENTION

Pour garantir un fonctionnement sûr

Pour votre sécurité et celle des autres, respectez ces avertissements :



- Le bloc-moteur Honda est conçu pour fournir un service sûr et fiable s'il est utilisé conformément aux instructions.

Lisez et étudiez le présent manuel de l'utilisateur avant d'utiliser le bloc-moteur. Le non respect de cette consigne peut entraîner des blessures corporelles ou détériorer la machine.



- L'essence est un produit hautement inflammable et qui explose sous certaines conditions.
- Ne fumez pas. N'approchez pas de flammes vives ou d'étincelles près du lieu où le plein est effectué ou près du lieu de stockage de l'essence.
- Ne remplissez pas trop le réservoir de carburant et fermez à fond le bouchon du réservoir après avoir fait le plein.
- Faites le plein dans un endroit bien aéré, le moteur arrêté.



- Les gaz d'échappement contiennent du monoxyde de carbone, un gaz toxique incolore et inodore. Le monoxyde de carbone peut provoquer des évanouissements et être mortel.
- Si le bloc-moteur fonctionne dans un endroit fermé ou même partiellement clos, l'air respiré peut contenir une quantité dangereuse de gaz d'échappement.
- Ne faites jamais fonctionner le bloc-moteur dans un garage, une maison ou à proximité de fenêtres ou portes ouvertes.

---

**▲ ATTENTION****Pour garantir un fonctionnement sûr****Responsabilité de l'utilisateur**

- Seuls les accessoires approuvés par Honda peuvent être utilisés. Dans le cas contraire, un accident ou des blessures peuvent se produire.
- Lisez et suivez les instructions données dans le manuel de l'utilisateur de chacun des accessoires.
- N'utilisez jamais le bloc-moteur en cas de fatigue, maladie, sous l'influence de l'alcool ou de médicaments.
- Toutes les pièces de la machine sont source potentielle de danger si cette dernière est utilisée dans des conditions anormales ou si l'entretien n'est pas correctement effectué.
- Lisez attentivement le manuel de l'utilisateur. Familiarisez-vous avec les commandes et le fonctionnement du bloc-moteur. Apprenez à arrêter rapidement le moteur.
- Ne laissez jamais des enfants ou des personnes n'ayant pas consulté ce manuel de l'utilisateur utiliser le bloc-utilisateur. Les règlements locaux peuvent limiter l'âge de l'opérateur.
- En cas de prêt ou de vente de votre bloc-moteur à un tiers, toutes les instructions concernant le fonctionnement de cette machine doivent être données. Conseillez également la lecture du manuel de l'utilisateur avant toute opération.
- N'utilisez jamais le bloc-moteur si :
  - des personnes, surtout des enfants ou des animaux sont à proximité.
  - l'utilisateur est fatigué ou sous traitement, ou a avalé des substances connues pour avoir un effet négatif sur sa capacité à réagir et à réfléchir.
- Chaque accessoire est utilisé dans une zone de travail dans laquelle aucune personne et aucun animal ne doit approcher. Suivez les instructions données dans le manuel de l'utilisateur de chacun des accessoires.
- N'oubliez pas que l'opérateur ou l'utilisateur est tenu pour responsable des accidents ou dangers survenant à d'autres personnes ou leur propriété.

---

## ▲ ATTENTION

Pour garantir un fonctionnement sûr

### Responsabilité de l'utilisateur

- Avant d'utiliser le bloc-moteur, portez toujours des vêtements et accessoires de protection.
- Pour connaître les vêtements et accessoires de protection à porter, suivez les instructions données dans le manuel de l'utilisateur de chacun des accessoires.
  - Vêtements de protection  
Portez des vêtements appropriés avec des manches longues et des pantalons.  
Les vêtements ne doivent pas être amples. Ils doivent être boutonnés ou fermés pour éviter tout danger. Ne laissez pas les manches et le bas de la chemise/veste pendre.  
Portez aussi des protections sur les bras.  
Ne portez pas de vêtements avec des rubans, des lacets, des vêtements amples, une cravate, un collier, etc. pendant l'utilisation.  
Attachez vos cheveux. Ils ne doivent pas tomber au-dessous des épaules.
  - Accessoires de protection
    - \* Lunettes de protection  
Portez des lunettes de protection ou autres protections permettant de protéger les yeux des éventuels débris.
    - \* Casque  
Portez un casque pour protéger votre tête des branches ou de tout autre objet pouvant tomber.
    - \* Écran protecteur  
Portez un écran protecteur pour protéger le visage des éventuels débris.
    - \* Protège-oreilles/protège-tympan  
Portez un protège-oreilles, un protège-tympan ou autre accessoire comme protection contre le bruit.
    - \* Gants  
Portez des gants pour protéger vos mains.
    - \* Chaussures de sécurité  
Portez des chaussures de sécurité avec une semelle antidérapante et des embouts pour protéger vos pieds des débris.  
N'utilisez pas le matériel pieds nus ou avec des sandales.  
Portez aussi des protections sur les jambes.

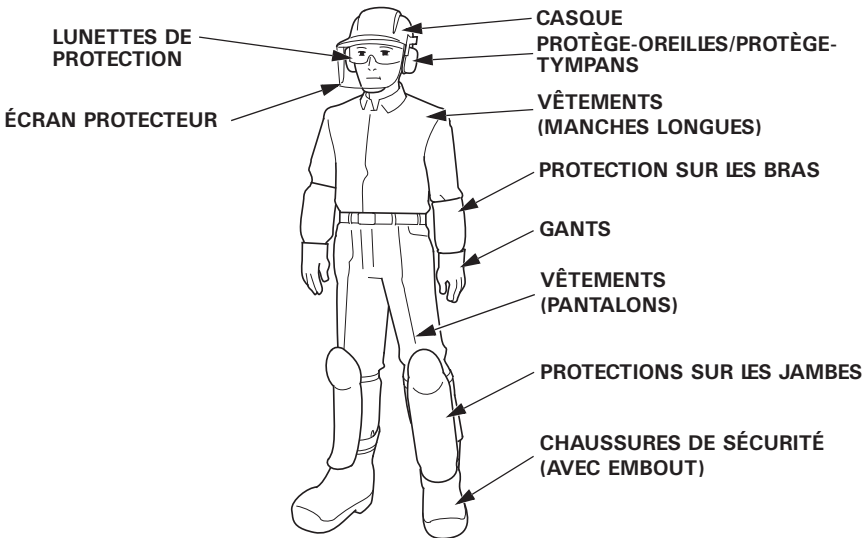
## ⚠ ATTENTION

Pour garantir un fonctionnement sûr

### Responsabilité de l'utilisateur

#### \* Masque anti-poussières

Il est recommandé de porter un masque contre les poussières si vous êtes sensible aux allergies ou aux effets du pollen. Les masques anti-poussières sont en vente en pharmacie et sont efficaces pour empêcher le pollen de pénétrer dans les voies respiratoires.



- Avant chaque utilisation, vérifiez l'état du bloc-moteur (dommages et pièces de fixation desserrées).
- Avant chaque utilisation, vérifiez s'il n'y a pas de traces de fuites d'huile ou d'essence autour et sous le moteur.
- Évitez d'utiliser le bloc-moteur de nuit ou par mauvais temps et faible visibilité, pour limiter tout risque d'accident.
- N'utilisez jamais la machine en courant.
- Évitez d'utiliser le bloc-moteur en pente.

Le non respect de cette consigne peut entraîner une chute.

---

**▲ ATTENTION****Pour garantir un fonctionnement sûr****Responsabilité de l'utilisateur**

- N'utilisez pas le bloc-moteur si les étiquettes et autres pièces ont été retirées.
- N'installez pas de pièce non conforme et n'apportez aucune modification au bloc-moteur. Ceci aurait pour effet d'entraîner un risque de blessure ou une détérioration de la machine. N'utilisez que les pièces qui sont conçues pour votre modèle et application.
- Arrêtez le moteur en plaçant la commande moteur sur OFF dans les cas suivants :
  - Avant toute opération autour du bloc-moteur.
  - Avant une vérification, un nettoyage ou une intervention sur le bloc-moteur.
  - Après un choc contre un objet étranger. Vérifiez l'état du bloc-moteur, et procédez aux réparations avant de le remettre en marche et de le réutiliser.
  - Si le bloc-moteur se met à vibrer anormalement. Recherchez immédiatement la cause des vibrations et effectuez la réparation nécessaire.
  - Chaque fois que vous laissez le bloc-moteur sans surveillance.
  - Avant de faire le plein d'essence.
  - Si quelqu'un ou un animal approche.
  - Arrêtez immédiatement le moteur dès que le bloc-moteur commence à vibrer anormalement. Des vibrations soudaines peuvent indiquer que les pièces en rotation sont défectueuses ou desserrées. Recherchez la cause du problème et ne remettez pas en marche le moteur tant que les réparations nécessaires n'ont pas été effectuées.
- Le bloc-moteur est défectueux si le moteur tourne au ralenti après avoir relâché la poignée des gaz. Par contre si l'accessoire continue à tourner, le régime du ralenti doit être réglé. Consultez votre concessionnaire Honda agréé.
- Les écrous, boulons et vis doivent toujours être correctement serrés pour que le fonctionnement du bloc-moteur soit fiable. Un entretien régulier est essentiel pour garantir la sécurité de l'utilisateur et maintenir un haut niveau de performance de la machine.
- N'utilisez pas la machine avec des pièces usées ou endommagées. Les pièces doivent être remplacées ou réparées. Remplacez toute pièce usée ou détériorée par des pièces Honda d'origine. Des pièces de qualité inférieure risquent de détériorer la machine et peuvent porter préjudice à la sécurité.

---

**▲ ATTENTION**

**Pour garantir un fonctionnement sûr**

**Responsabilité de l'utilisateur**

- Blessures causées par les vibrations et le froid :

L'utilisateur est parfois sujet à une sensation de picotement ou de brûlures sur les doigts, qui peuvent alors perdre leur couleur et devenir insensibles. Ces symptômes proviennent probablement des vibrations et/ou du froid. Il est difficile de détecter le début de ces symptômes. Pour cette raison, suivez les instructions ci-dessous :

- \* Limitez le temps d'utilisation du bloc-moteur sur une journée.  
La journée de travail doit se répartir entre des travaux utilisant le bloc-moteur et d'autres travaux manuels afin de limiter le temps d'exposition de vos mains aux vibrations de la machine.
  - \* Le corps doit toujours être bien protégé du froid, particulièrement les mains, les poignets et les bras.
  - \* Pensez toujours à faire une pause à intervalles réguliers et faire des exercices pour faciliter la circulation du sang dans les bras. Ne fumez pas pendant le travail.
  - \* En cas de malaise, ou si les doigts sont rouges ou enflés, puis perdent leur couleur et deviennent insensibles, consultez un docteur sans délai.
- Blessures causées par des opérations répétées :
- La répétition d'opérations prolongées peut causer des blessures. Pour réduire le risque de blessure, suivez les instructions ci-dessous.
- \* Variez la position des poignets pendant l'utilisation, qui pourront être pliés, tendus ou tournés.
  - \* Faites une pause à intervalles réguliers pour minimiser les effets de l'usage répété. Prenez votre temps pour exécuter les opérations répétées. Ne poussez pas le bloc-moteur.
  - \* En cas de sensation d'élançement ou d'engourdissement dans les doigts, consultez un docteur.

---

## ▲ ATTENTION

### Pour garantir un fonctionnement sûr

#### Sécurité des enfants

- Gardez les enfants à la maison et en permanence sous surveillance lorsqu'un bloc-moteur est utilisé à proximité. Les jeunes enfants se déplacent rapidement et sont particulièrement attirés par le bloc-moteur en marche.
- Ne jamais croire que les enfants vont rester là où vous les avez vus en dernier. Restez vigilant et arrêtez le bloc-moteur si des enfants s'approchent.
- Les enfants ne doivent jamais être autorisés à utiliser le bloc-moteur, même sous la surveillance d'adultes.

#### Danger d'incendie et de brûlure

L'essence est extrêmement inflammable et les vapeurs d'essence sont explosives.

Un maximum de précautions doivent être prises pour manipuler l'essence. Maintenez l'essence hors de portée d'enfants.

- Emmagazinez l'essence dans des récipients spécialement conçus à cet effet.
- Ne faites le plein qu'à l'extérieur, et ne fumez pas en faisant le plein ou en manipulant de l'essence.
- Faites l'appoint d'essence avant de mettre le moteur en marche. Ne retirez jamais le bouchon du réservoir de carburant. Ne faites jamais l'appoint avec le moteur en marche ou lorsqu'il est chaud.
- Si de l'essence a été renversée, n'essayez pas de mettre le moteur en marche. Éloignez le bloc-moteur de la zone où l'essence a coulé et évitez de créer une source susceptible de l'enflammer tant que les vapeurs d'essence ne se sont pas dissipées.
- Resserrez bien le bouchon du réservoir de carburant et du récipient.
- Avant de remettre le moteur en marche après avoir fait le plein, éloignez la machine de 3 m au moins de l'endroit où le plein d'essence a été effectué.
- N'entrez jamais le bloc-moteur avec de l'essence dans le réservoir à l'intérieur d'un bâtiment où des fumées peuvent créer une flamme ouverte, une étincelle ou une source de haute température.
- Laissez refroidir le moteur avant de l'entreposer dans un enclos.
- Pour réduire les risques d'incendie, éliminez l'herbe, les feuilles ou la graisse en excès sur le bloc-moteur, surtout au niveau du moteur, du silencieux, mais aussi dans la zone de stockage d'essence.  
Ne laissez pas les récipients de végétaux dans un bâtiment ou à proximité.
- Si le réservoir de carburant doit être vidangé, procédez à l'extérieur, avec un moteur froid.



---

**▲ ATTENTION**

**Pour garantir un fonctionnement sûr**

**Danger d'intoxication au monoxyde de carbone**

Les gaz d'échappement contiennent du monoxyde de carbone, gaz toxique inodore et incolore. Les gaz d'échappement peuvent entraîner une perte de connaissance, voire la mort.

- Si un moteur tourne dans une zone restreinte ou même partiellement fermée, l'air respiré peut contenir une quantité dangereuse de gaz d'échappement. Aérez correctement pour empêcher les gaz d'échappement de s'accumuler.
- Remplacez les silencieux défectueux.
- N'utilisez pas le moteur dans un endroit fermé où peuvent s'accumuler des fumées de monoxyde de carbone toxiques.

## 2. EMBLACEMENT DES AUTOCOLLANTS DE SÉCURITÉ

Prenez les précautions nécessaires pour utiliser votre bloc-moteur. Des pictogrammes sur la machine rappellent à l'opérateur les principales précautions à prendre lors de l'utilisation. Vous trouverez leur signification, page 3.

Ces pictogrammes sont considérés comme faisant partie du bloc-moteur. Si un pictogramme se détache ou devient illisible, contactez votre concessionnaire Honda pour le faire remplacer.

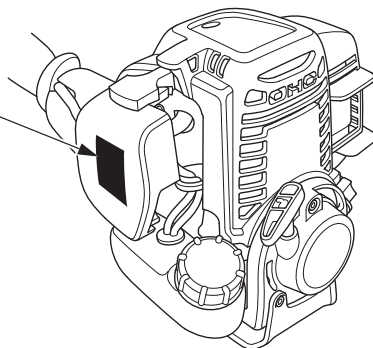
Pour le modèle européen : UMC425E, UMC435E

LIRE LE MANUEL DE L'UTILISATEUR

PRECAUTION CARBURANT



PRECAUTION GAZ D'ÉCHAPPEMENT

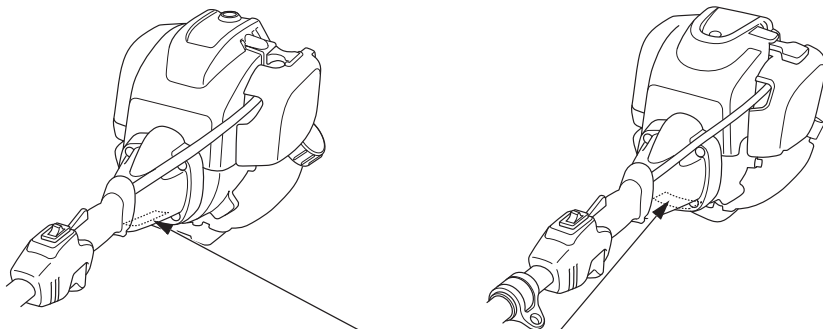


## Emplacement de la marque CE et de l'étiquette concernant le bruit

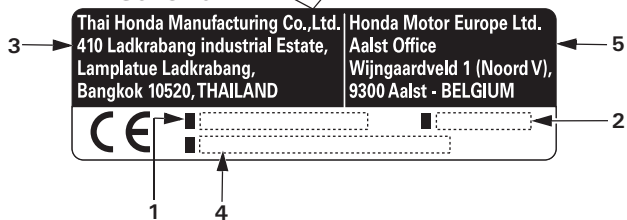
Pour le modèle européen :

UMC425E

UMC435E



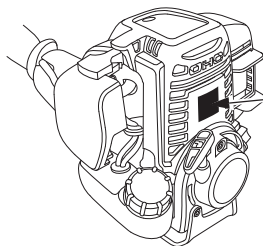
### MARQUAGE CE



1. Type et modèle
2. Année de fabrication
3. Constructeur et adresse
4. Numéro de série du cadre
5. Nom et adresse du représentant agréé

\*L'étiquette concernant le bruit est apposée sur les accessoires.

Pour le modèle australien :

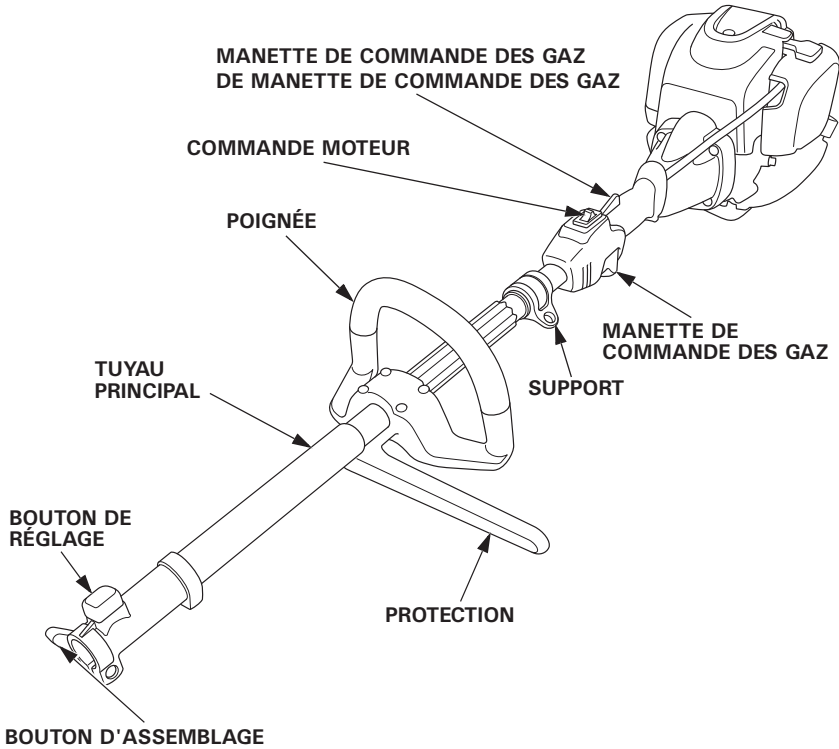


ÉTIQUETTE  
CONCERNANT  
LE BRUIT

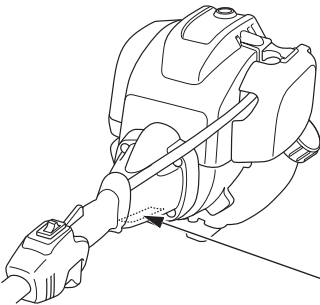


# 3. IDENTIFICATION DES ÉLÉMENTS

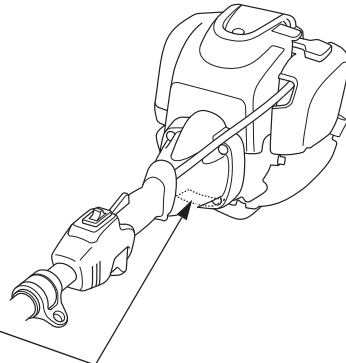
Exemple : UMC435E



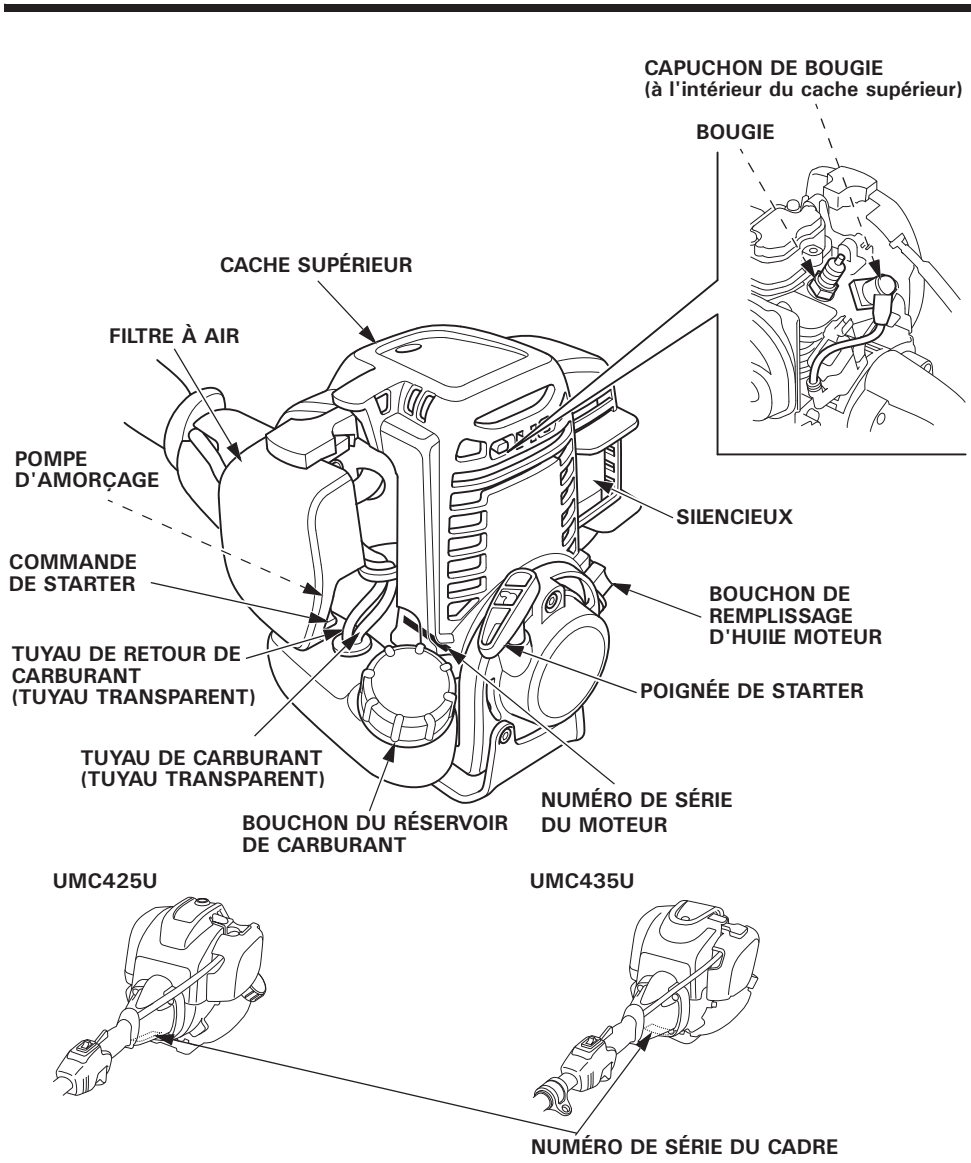
UMC425U



UMC435U



NUMÉRO DE SÉRIE DU CADRE



Inscrivez le numéro de série du châssis (voir page 12 et 13) et le numéro de série du moteur dans l'espace ci-dessous. Ces numéros sont nécessaires pour la commande de pièces.

Numéro de série du cadre : \_\_\_\_\_

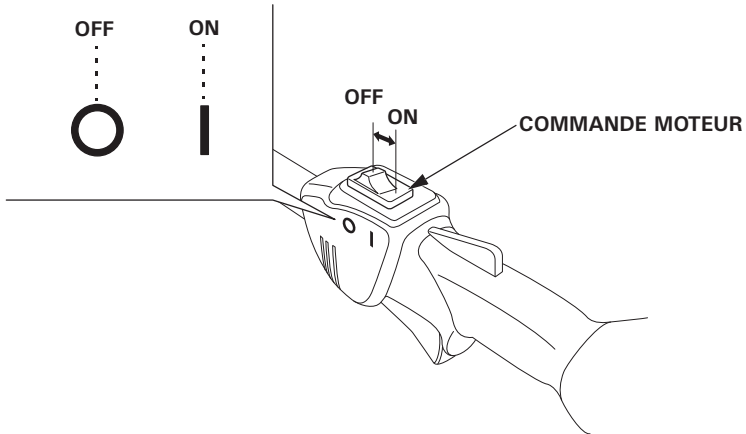
Numéro de série du moteur : \_\_\_\_\_

## 1. Commande moteur

La commande moteur permet d'allumer et de couper le système d'allumage.

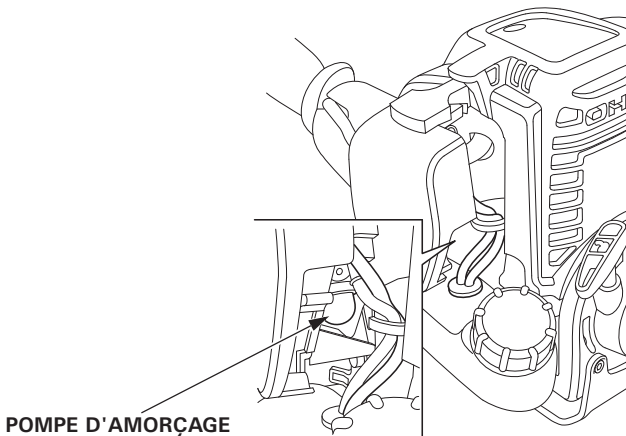
Elle doit être sur ON (I) pour mettre le moteur en marche.

Le moteur s'arrête quand la commande moteur est en position OFF (O).



## 2. Pompe d'amorçage

En actionnant la pompe d'amorçage, l'essence est envoyée du réservoir de carburant au carburateur. Cette opération est nécessaire pour le démarrage du moteur.

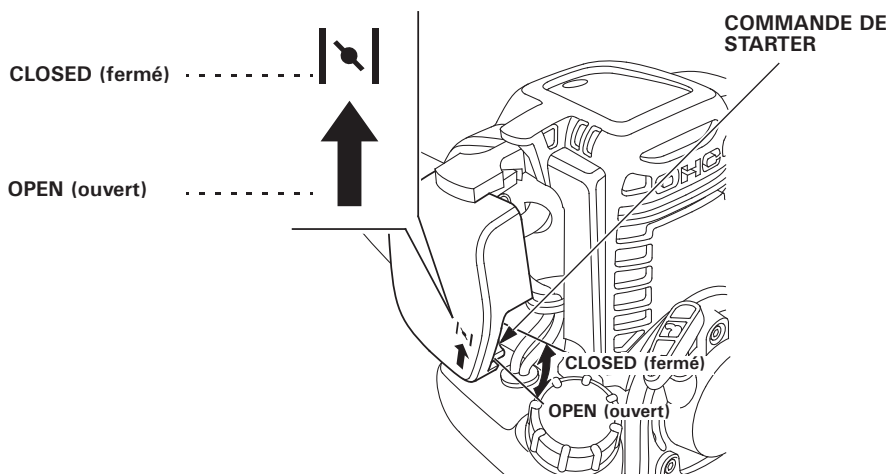


### 3. Commande du starter

La commande du starter permet d'ouvrir ou de fermer le volet d'étranglement dans le carburateur.

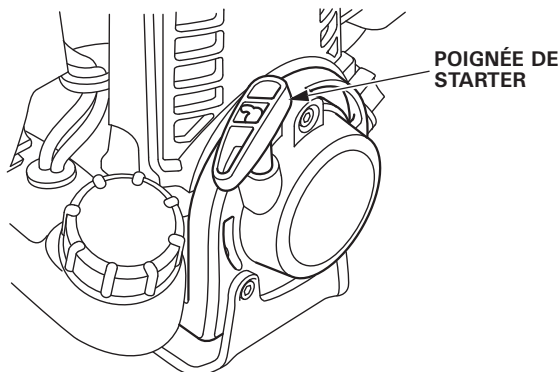
En position CLOSED (fermé), le mélange de carburant est enrichi afin de démarrer le moteur à froid.

La position OPEN (ouvert) est destinée à transmettre le mélange approprié pour le fonctionnement du moteur après le démarrage et pour démarrer le moteur à chaud.



### 4. Poignée de starter

En tirant sur la poignée de starter, le starter lance le moteur pour le démarrer.



## 5. Manette de commande des gaz

La manette de commande des gaz permet de contrôler le régime du moteur.

Tirez ou relâchez la manette de commande des gaz comme indiqué ci-dessous pour accélérer ou réduire le régime du moteur.

### NOTE :

La commande de blocage doit être appuyée avant de pouvoir activer la manette de commande des gaz.

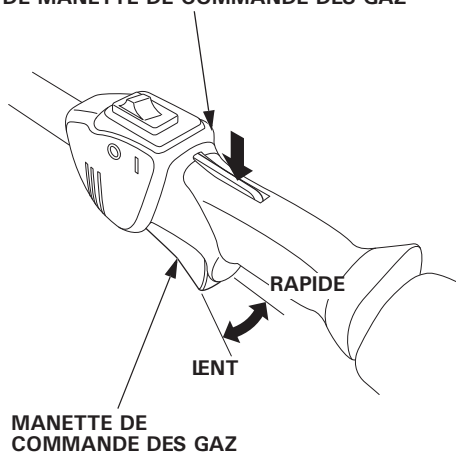
En tirant la manette de commande des gaz petit à petit, le régime du moteur augmente. Plus vous tirez, plus vous accélérez.

En relâchant la manette de commande des gaz, le régime du moteur diminue.

### Commande de blocage de manette de commande des gaz :

La commande de blocage de manette de commande des gaz permet d'utiliser la manette. La manette ne peut être tirée qu'après avoir appuyé sur la commande de blocage.

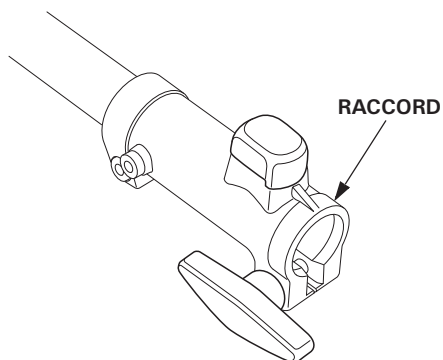
MANETTE DE COMMANDE DES GAZ  
DE MANETTE DE COMMANDE DES GAZ





## 6. Raccord

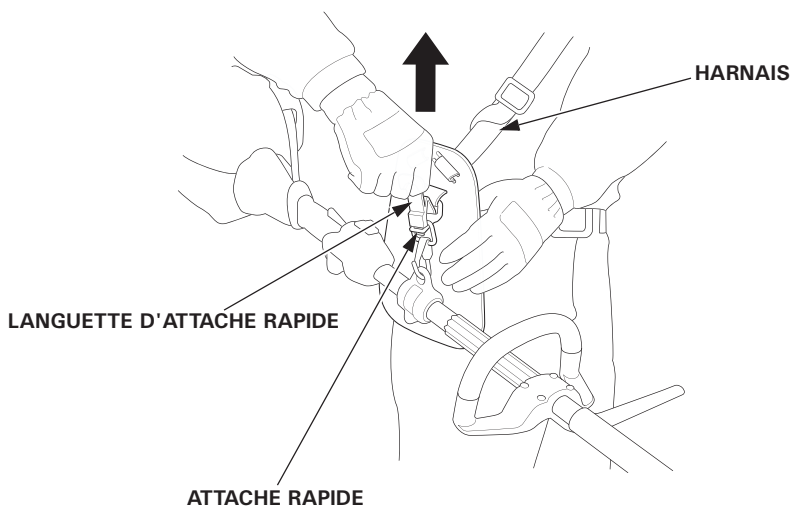
Le raccord permet de fixer l'accessoire approuvé par Honda sur le bloc-moteur. Reportez-vous aux pages 30-32 pour savoir comment installer et retirer les accessoires.



## 7. Attache rapide

La languette de l'attache rapide permet de détacher immédiatement le bloc-moteur du harnais en cas d'urgence.

Tirez sur la languette de l'attache rapide et le bloc-moteur se détache du harnais.



## 5. CONTRÔLES AVANT L'UTILISATION

Pour garantir un fonctionnement efficace et sûr, effectuez toujours les contrôles suivants avant d'utiliser le bloc-moteur :

### ⚠ ATTENTION

Effectuez les contrôles avant l'utilisation sur une surface ferme et horizontale avec le moteur arrêté et assurez-vous que la commande moteur se trouve en position OFF.

#### 1. Vérification du niveau de l'huile moteur

#### PRECAUTION :

Faire tourner le moteur avec un niveau d'huile bas peut sérieusement endommager le moteur.

Vérifiez le niveau d'huile moteur avant chaque utilisation ou toutes les 10 heures en fonctionnement continu.

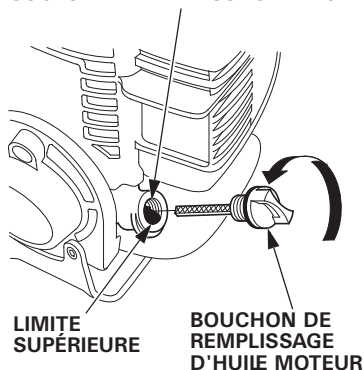
1. Placez le bloc-moteur sur une surface de niveau et enlevez le bouchon de remplissage d'huile.
2. Vérifiez le niveau d'huile. S'il est inférieur à la limite supérieure, remplissez avec l'huile recommandée jusqu'à la limite supérieure.
3. Réinstallez le bouchon de remplissage d'huile en le serrant fermement.

#### CONTENANCE EN HUILE MOTEUR

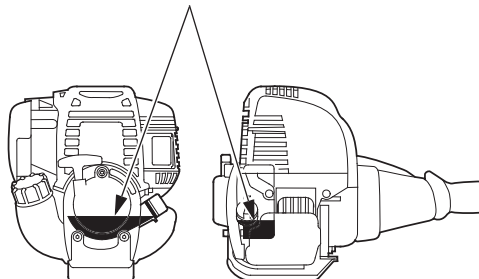
UMC425E, UMC425U: 0.08 L

UMC435E, UMC435U: 0.10 L

GOULOT DE REMPLISSAGE D'HUILE



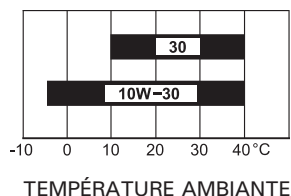
LIMITÉ SUPÉRIEURE



---

Utilisez une huile moteur 4 temps répondant ou dépassant les prescriptions pour la classification service API SE ou ultérieure (ou équivalente). Vérifiez toujours l'étiquette de service API sur le bidon d'huile pour s'assurer qu'elle porte bien la mention SE ou ultérieure (ou équivalente).

Une huile SAE 10W-30 est recommandée pour l'utilisation normale. Les autres viscosités indiquées dans le tableau peuvent être utilisées lorsque la température moyenne du lieu d'utilisation se trouve dans la plage indiquée.



**PRECAUTION :**

**L'utilisation d'une huile non détergente ou d'une huile moteur 2 temps peut raccourcir la durée de service du moteur.**

---

## 2. Vérification du niveau d'essence

Utilisez une essence automobile sans plomb avec un indice d'octane de recherche de 91 ou plus (un indice d'octane à la pompe de 86 ou plus). N'utilisez jamais d'essence contaminée ou vieille ou un mélange huile/essence. Évitez que les salissures ou l'eau ne pénètrent dans le réservoir de carburant.

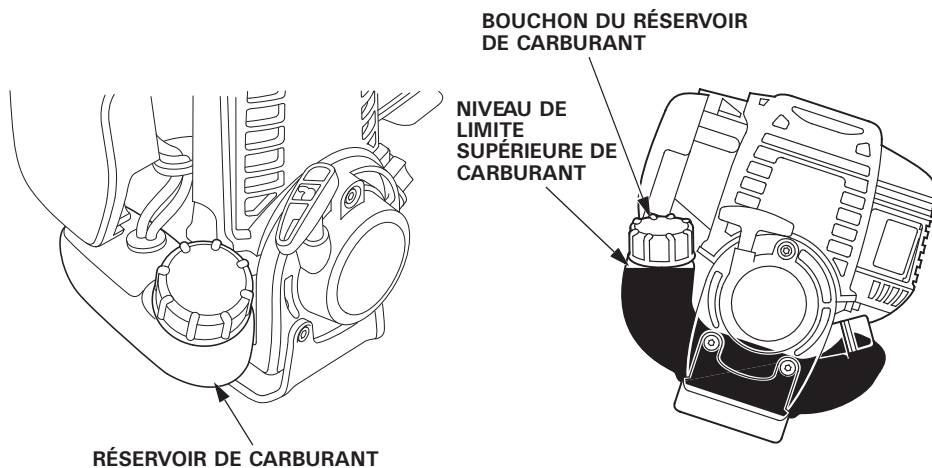
### **▲ ATTENTION**

- L'essence est un produit hautement inflammable et qui explose sous certaines conditions.
- Faites le plein dans un endroit bien aéré, le moteur arrêté. Ne fumez pas. N'approchez pas de flammes vives ou d'étincelles près du lieu où le plein est effectué ou près du lieu de stockage de l'essence.
- Ne remplissez pas trop le réservoir (il ne doit pas y avoir d'essence dans le goulot de remplissage). Après avoir refait le plein, serrez fermement le bouchon du réservoir.
- Faites attention à ne pas renverser d'essence en remplissant le réservoir. Les éclaboussures ou les vapeurs d'essence risqueraient de prendre feu. Avant de mettre le moteur en marche, assurez-vous que l'essence renversée a séché et que les vapeurs sont dissipées.
- Évitez le contact direct de l'essence sur la peau ou de respirer les vapeurs. **NE PAS LAISSER A LA PORTÉE DES ENFANTS.**

### **PRECAUTION :**

Des substituts d'essence ne sont pas recommandés ; ils peuvent être nuisibles aux composants du circuit d'alimentation.

1. Vérifiez le niveau d'essence en regardant le réservoir de carburant et en maintenant le goulot de remplissage bien droit.
2. Si le niveau d'essence est trop bas, faites l'appoint jusqu'au niveau spécifié. Retirez lentement le bouchon du réservoir de carburant, pour laisser s'échapper l'air sous pression à l'intérieur du réservoir. L'essence risque de jaillir du réservoir si le bouchon est enlevé d'un seul coup.



---

## NOTE :

L'essence se détériore rapidement en fonction de l'exposition à la lumière, de la température et du temps.

Dans les situations les plus délicates, l'essence peut être contaminée dans les 30 jours.

L'utilisation d'essence contaminée peut sérieusement endommager le moteur (carburateur bouché, valve coincée).

La garantie ne couvre pas les dommages liés à de l'essence altérée.

Pour éviter ce genre de problème, suivez rigoureusement ces recommandations :

- N'utilisez que l'essence spécifiée (voir page 21).
- Utilisez de l'essence fraîche et propre.
- Pour ralentir la dégradation, conservez l'essence dans un récipient de carburant certifié.
- Avant un long remisage (plus de 30 jours), vidangez le réservoir de carburant et le carburateur (voir pages 55 et 56).

## Essences contenant de l'alcool

Pour utiliser une essence contenant de l'alcool (essence-alcool), assurez-vous que son indice d'octane est au moins égal à l'indice recommandé par Honda.

Il existe deux types d'essence-alcool : un avec de l'éthanol, et l'autre avec du méthanol.

N'utilisez pas d'essence-alcool contenant plus de 10% d'éthanol.

N'utilisez pas d'essence contenant plus de 5% de méthanol (méthyle ou alcool méthylique) et ne contenant pas de co-solvants et d'inhibiteurs de corrosion pour méthanol.

## NOTE :

- La garantie ne couvre pas les dommages du système d'alimentation en carburant ou les problèmes de performances du moteur résultant de l'utilisation d'une essence contenant plus d'alcool que la quantité recommandée.
- Avant de se ravitailler dans une station-service que vous ne connaissez pas, essayez de savoir si l'essence contient de l'alcool, quel est le type d'alcool utilisé et dans quel pourcentage. Utilisez une essence qui contient moins que la quantité d'alcool recommandée.

### 3. Vérification du filtre à air

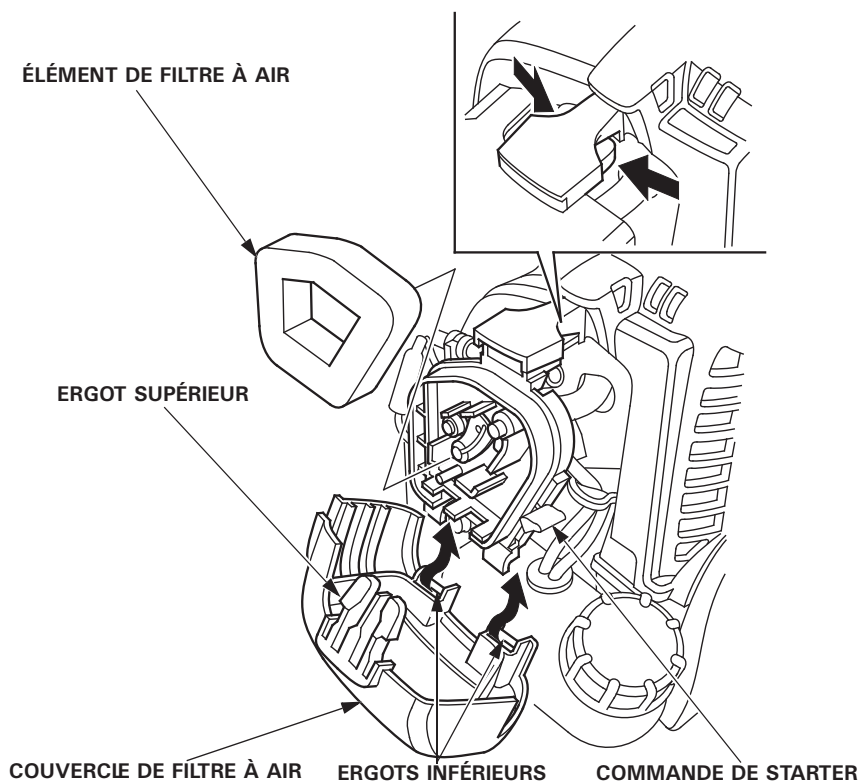
#### PRECAUTION :

Ne faites jamais tourner le moteur sans filtre à air. Cela a pour effet de provoquer une usure plus rapide du moteur.

1. Mettez la commande du starter en position CLOSED (en haut).
2. Retirez le couvercle du filtre à air en détachant l'ergot supérieur sur le dessus, ainsi que les deux ergots inférieurs.
3. Recherchez des traces de poussière ou des colmatages sur l'élément du filtre à air.

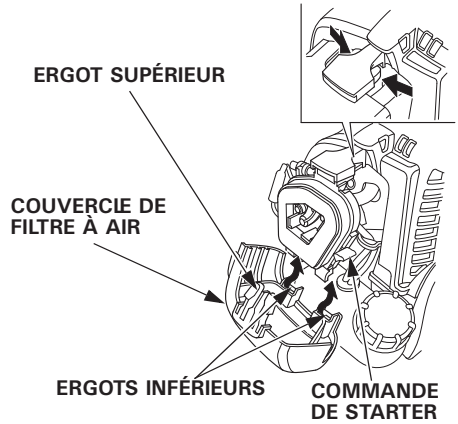
Nettoyez l'élément de filtre à air s'il est sale (voir page 45).

4. Réinstallez l'élément de filtre à air.
5. Réinstallez le couvercle du filtre à air en introduisant les ergots inférieurs, puis ensuite l'ergot supérieur.

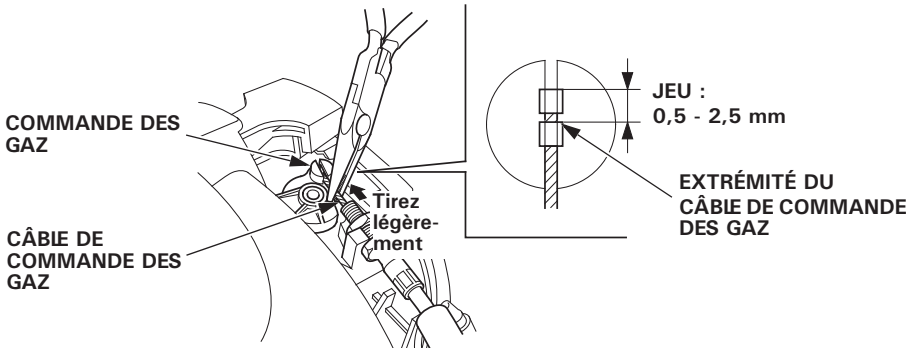


#### 4. Vérification du jeu du câble de commande des gaz

1. Mettez la commande du starter en position CLOSED (en haut).
2. Retirez le couvercle du filtre à air en détachant l'ergot supérieur sur le dessus, ainsi que les deux ergots inférieurs.



3. Tirez doucement sur le câble de commande des gaz et vérifiez la longueur à partir de l'extrémité du câble. Elle doit être de 0,5–2,5 mm (prenez les précautions nécessaires pour ne pas endommager le câble de commande des gaz.) Effectuez les réglages nécessaires si la longueur mesurée se trouve hors de la plage spécifiée (voir page 49).





- 
4. Actionnez le système de commande des gaz à plusieurs reprises et vérifiez s'il y a du jeu (c'est-à-dire que la commande des gaz ne se déplace pas en actionnant la manette de commande des gaz.)
- Vérifiez le bon fonctionnement de la manette de commande des gaz et assurez-vous qu'elle revient toujours en arrière, sur la position de ralenti du moteur.



En cas d'anomalie, le système de commande des gaz doit être réparé. Consultez votre concessionnaire Honda agréé.

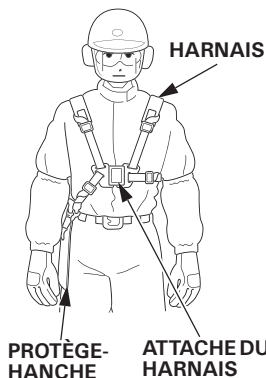
## 5. Réglage du harnais

### ⚠ ATTENTION

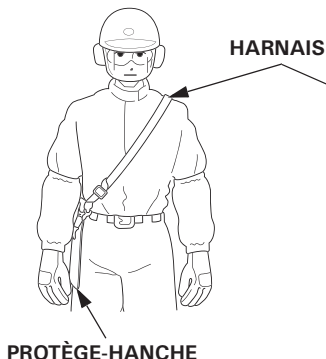
Portez le harnais avant d'utiliser le bloc-moteur. Le non respect de cette consigne peut entraîner des blessures dues à l'instabilité.

1. Portez le harnais avec le protège-hanche sur le côté droit du corps
  - Le harnais ne doit pas être entortillé.
  - Si le harnais est à porter sur les deux épaules, enclenchez l'attache du harnais sur le devant de votre corps. Pour débloquer l'attache du harnais, tirez le harnais vers la droite et la gauche tout en appuyant sur l'attache.

Pour les deux épaules  
(UMC435E · UMC435U)



Pour une seule épaule  
(UMC425E)

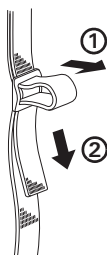


Pour une seule épaule  
(UMC425U)

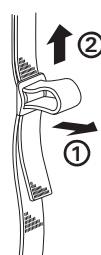


2. Ajustez la longueur du harnais comme indiqué sur les figures ci-dessous.

Pour raccourcir



Pour rallonger



---

### 3. Enroulez les extrémités du harnais vers votre corps et attachez-les.

(UMC435E · UMC435U)



Enroulez les extrémités du harnais et attachez-les.  
(Il y a un point d'application à l'arrière du corps)

(UMC425E)



(UMC425U)

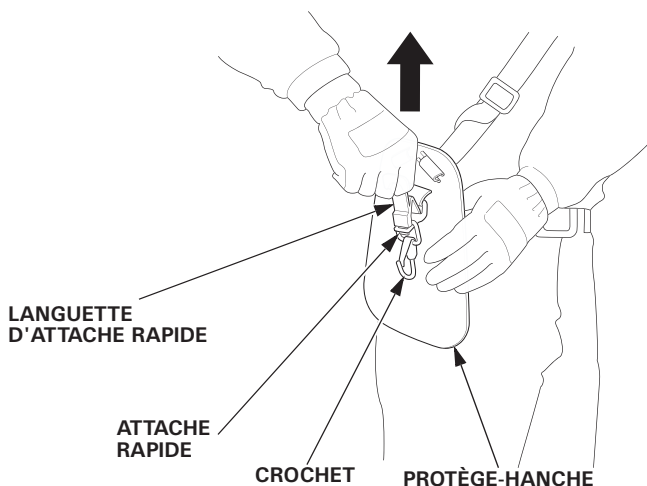


Enroulez les extrémités du harnais et attachez-les.

---

## 6. Vérification de l'attache rapide

1. Mettez le harnais.
2. L'attache doit se dégager dès que la languette de l'attache rapide est tirée vers le haut tout en tenant le protège-hanche avec la main gauche.
3. Introduisez la languette dans la fente de l'attache rapide pour fixer le bloc-moteur sur le harnais.



Si le harnais ne se désengage pas, demandez au revendeur de le vérifier et de le réparer.

## 7. Installation/dépose de la fixation

### Vérifiez la zone de raccord :

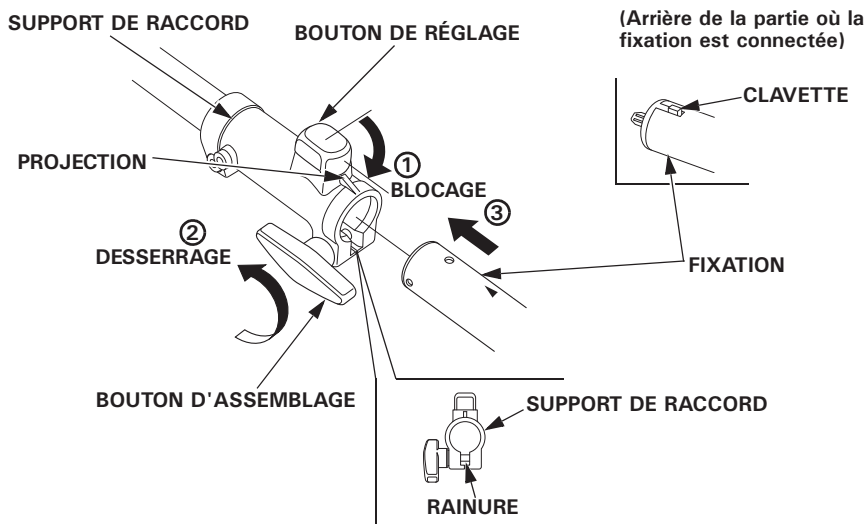
1. Vérifiez si le bouton de réglage est facile à utiliser.
2. Vérifiez si le bouton d'assemblage est facile à serrer et desserrer.  
Vérifiez aussi l'état.
3. Assurez-vous qu'aucun débris ne se trouve dans la rainure et à l'intérieur du support de raccord.

### Installation :

#### ▲ ATTENTION

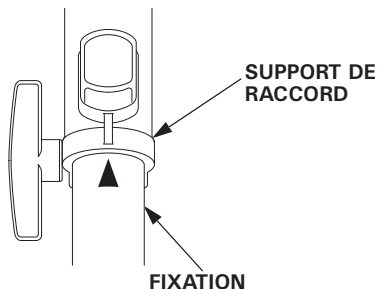
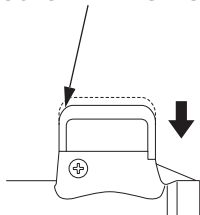
Le moteur ne doit pas démarrer avant d'avoir attaché la fixation au bloc-moteur. Sinon, des blessures peuvent se produire, par exemple, quand vos doigts touchent l'ouverture du raccord.

1. Placez le bouton de réglage en position de blocage et desserrez le bouton d'assemblage.
2. Alignez le repère ▲ sur la fixation avec la protection du raccord.  
Ou, alignez la clavette de fixation sur la rainure du raccord.

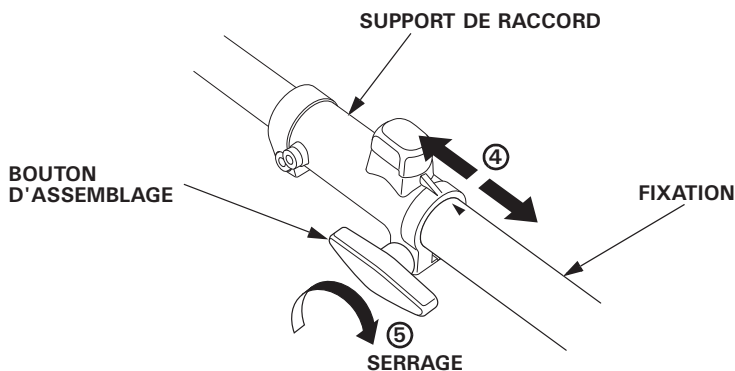


3. Insérez la fixation dans le bouton de réglage jusqu'à ce qu'elle s'enclenche.  
Le repère ▲ sur l'accessoire doit se trouver à l'extrémité du support de raccord.

BOUTON DE RÉGLAGE



4. Tirez la fixation et le support de raccord en direction de la flèche pour s'assurer que la fixation n'est pas desserrée.  
5. Serrez le bouton d'assemblage.



**PRECAUTION :**

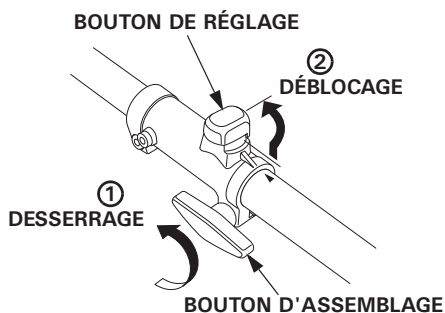
Aucun impact ne doit se produire sur le starter quand vous placez le bloc-moteur avec le starter vers le bas. Le starter ou le moteur pourraient être endommagés.

Dépose :

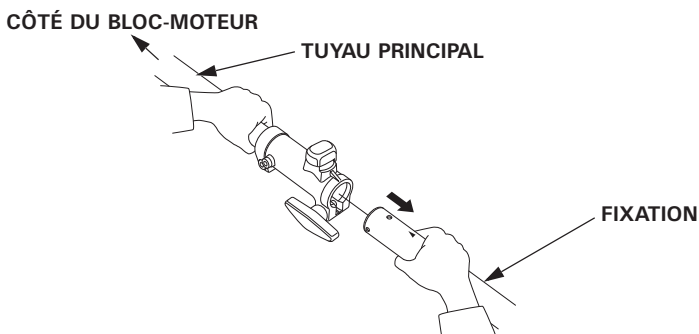
**⚠ ATTENTION**

Éteignez le moteur. Vérifiez l'arrêt complet du moteur et de la fixation avant de détacher la fixation. Il y a risque de dommages ou de blessures si la fixation est encore en mouvement.

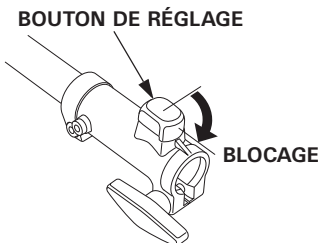
1. Desserrez le bouton d'assemblage.
2. Tirez le bouton de réglage en position de déblocage.



3. Maintenez le tuyau principal sur le côté du bloc-moteur et détachez la fixation.



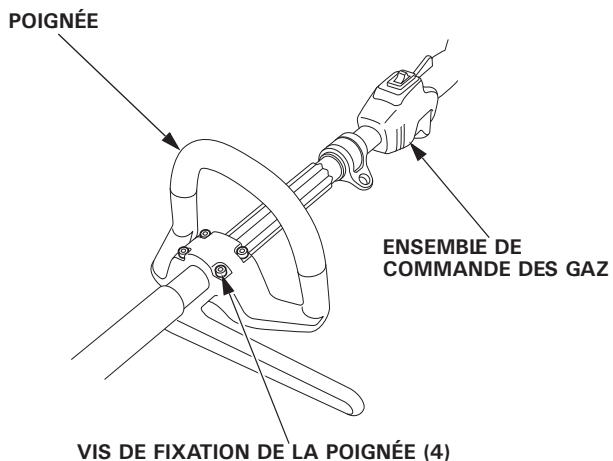
4. Placez le bouton de réglage en position de blocage.



---

## 8. Vérification de tous les boulons et écrous

1. Vérifiez le serrage de chaque boulon et de chaque écrou. Les resserrer si nécessaire.
2. Vérifiez si les boulons ou vis de fixation de la poignée ne sont pas desserrés et les resserrer si nécessaire.





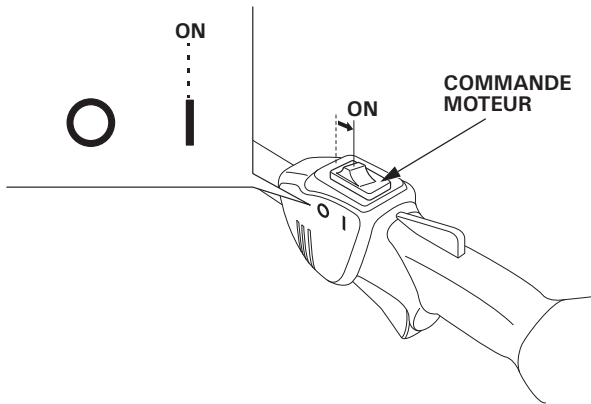
## 6. MISE EN MARCHÉ DU MOTEUR

---

### ⚠ ATTENTION

- Les gaz d'échappement contiennent du monoxyde de carbone, gaz toxique. Ne faites jamais tourner le moteur dans un endroit clos. L'aération doit toujours être adéquate.
- Faites démarrer le moteur loin de toutes personnes, animaux ou constructions. Assurez-vous également qu'il n'y a pas d'obstacles.

1. Placez la commande moteur en position ON.

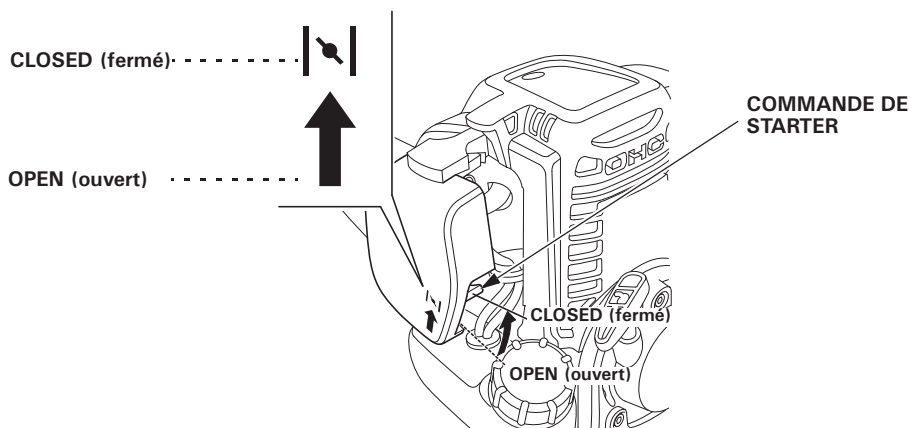


2. Pour mettre le moteur en marche à froid, déplacez la commande de starter en position CLOSED (fermé).

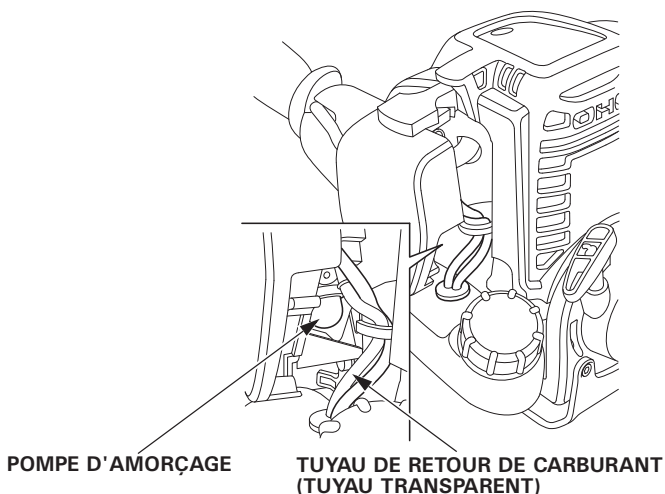
Pour remettre le moteur marche, quand il est chaud, laissez la commande de starter en position OPEN (ouvert).

NOTE :

N'utilisez pas le starter si le moteur est chaud ou la température atmosphérique élevée.



3. Activez la pompe d'amorçage plusieurs fois jusqu'à ce que l'essence soit visible à travers le tuyau transparent de retour de carburant.



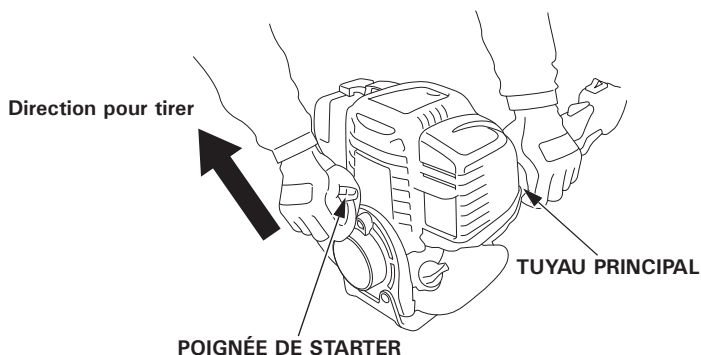
4. Tirez doucement la poignée de starter jusqu'à ce que vous ressentiez une résistance, puis tirez d'un coup sec dans le sens de la flèche comme sur la figure ci-dessous. Ramenez doucement la poignée de starter en arrière.

**PRECAUTION :**

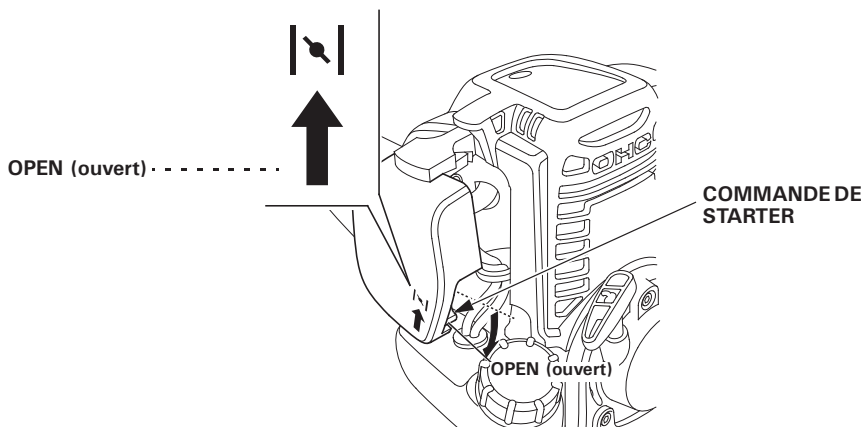
- Ne laissez pas la poignée du starter retourner brusquement contre le moteur.

Ramenez-la délicatement pour éviter d'endommager le stator.

- Ne tirez pas sur la poignée du starter quand le moteur est en marche. Il pourrait être endommagé.



5. Si la commande du starter est en position CLOSED avant de mettre le moteur en marche, la remettre progressivement en position OPEN dès que le moteur commence à se réchauffer.



---

## **Modification du carburateur pour une utilisation à haute altitude.**

En haute altitude, l'enrichissement du mélange air-carburant standard du carburateur est trop élevé. Les performances diminuent alors et la consommation de carburant augmente. Un mélange très riche encrasse également les bougies et rend le démarrage difficile. Une utilisation prolongée à des altitudes différentes de celles pour lesquelles ce moteur a été certifié peut entraîner une augmentation des émissions polluantes.

Les performances en haute altitude peuvent être améliorées en effectuant certaines modifications sur le carburateur. Si vous n'utilisez le bloc-moteur qu'à des altitudes supérieures à 1 500 mètres, demandez au concessionnaire de modifier le carburateur. En haute altitude, si ces modifications ont été apportées, le moteur sera conforme aux normes antipollution pendant toute sa durée de service.

Même avec un carburateur modifié, la puissance du moteur diminuera d'environ 3,5% pour chaque 300 mètres d'altitude supplémentaire. Si le carburateur n'est pas modifié, l'effet de l'altitude sur la puissance sera encore plus important.

### **PRECAUTION :**

**Lorsque le carburateur a été modifié pour une utilisation à haute altitude, le mélange air-carburant est trop pauvre pour une utilisation à basse altitude. L'utilisation à des altitudes inférieures à 1 500 mètres avec un carburateur modifié peut provoquer une surchauffe du moteur et l'endommager sérieusement. Pour une utilisation à basse altitude, faites remettre le carburateur aux spécifications d'usine d'origine par le concessionnaire.**

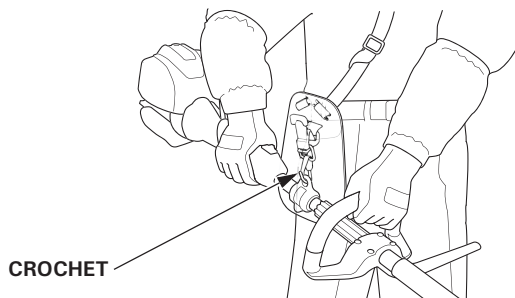
## 7. FONCTIONNEMENT

---

Lisez et étudiez les consignes de sécurité sur les pages 3 à 10 avant d'utiliser le bloc-moteur.

En cas d'odeurs, de vibrations, de bruits anormaux ou autres signes inhabituels, arrêtez le moteur immédiatement et consultez votre concessionnaire Honda agréé.

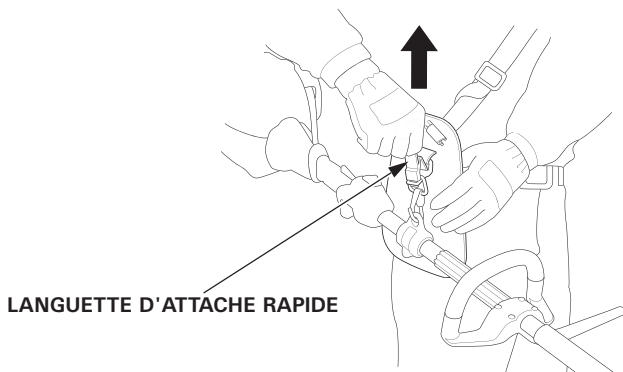
Avec le moteur au ralenti, accrochez le bloc-moteur au harnais et maintenez le bloc-moteur à la position correcte.



Tenez le bloc-moteur fermement avec les deux mains, les doigts et le pouce autour des poignées, comme indiqué. Ceci permettra de garder en permanence le contrôle.

Pour en savoir plus au sujet de l'utilisation des accessoires, lisez et suivez les instructions données dans le manuel de l'utilisateur de chacun des accessoires.

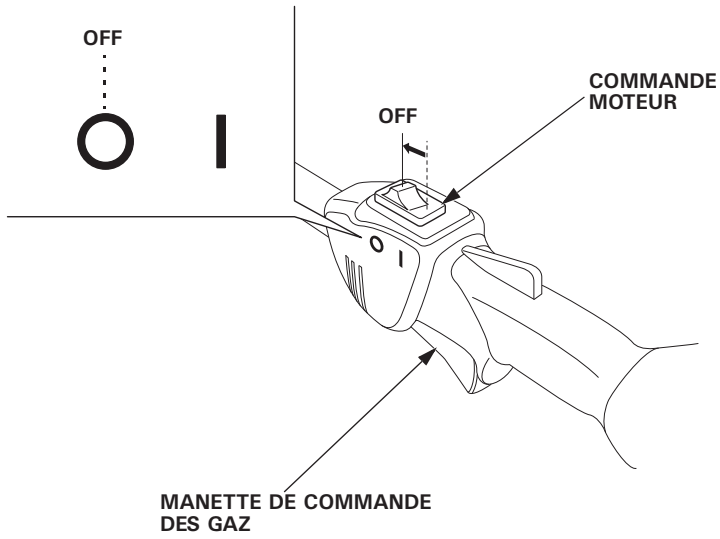
En cas d'urgence, tirez sur la languette de l'attache rapide pour détacher le bloc-moteur du harnais.



## 8. ARRÊT DU MOTEUR

---

1. Relâchez la manette de commande des gaz.
2. Placez la commande moteur en position OFF.



## 9. ENTRETIEN

---

### **▲ ATTENTION**

- Avant tout entretien, placez le bloc-moteur sur une surface horizontale, arrêtez le moteur. La commande moteur doit être sur OFF pour ne pas risquer un démarrage accidentel.
- L'entretien du bloc-moteur devra être effectué par un concessionnaire Honda agréé, sauf si son propriétaire possède les outils adéquats et les données d'entretien nécessaires et seulement s'il possède certaines connaissances en mécanique.

### **PRECAUTION :**

Utilisez des pièces Honda d'origine ou leur équivalent pour l'entretien ou la réparation. Des pièces de rechange de qualité inférieure peuvent endommager le bloc-moteur.

Un contrôle et un réglage périodiques des modèles Honda UMC425E, UMC435E, UMC425U, UMC435U sont essentiels pour maintenir un haut niveau de performance. Un entretien régulier contribuera également à prolonger la durée de service. Les intervalles d'entretien requis et le type d'entretien à exécuter sont décrits dans le tableau de la page suivante 41.

## Programme d'entretien

PÉRIODE D'ENTRETIEN RÉGULIER (1) Effectuez ces opérations après le nombre de mois ou d'heures d'utilisation indiqué, selon la première éventualité.		Chaque utilisation	Premier mois ou 10 heures	Une fois tous les 3 mois ou 25 heures	Une fois tous les 6 mois ou 50 heures	Tous les ans ou 100 heures	Tous les 2 ans ou 300 heures	Voir to page
ÉLÉMENT								
Huile moteur	Vérification du niveau	o						19
	Remplacement		o		o			43
Filtre à air	Vérification	o						24
	Nettoyage			o (3)				45, 46
Bougie	Vérification-réglage					o		47
	Remplacement						o	
Câble de commande des gaz	Vérification	o						25, 49
Manette de commande des gaz	Vérification	o						26
Ailettes de refroidissement du moteur	Vérification				o			51
	Nettoyage							
Attache rapide de harnais	Vérification	o						29
Bouton de réglage	Vérification							
Bouton d'assemblage	Vérification	o						30
Autour du support de raccord	Vérification	o						30
Écrous, boulons, fixations (Resserrer si nécessaire)	Vérification	o						33
Réservoir de carburant	Nettoyage					o		52
Filtre de carburant	Nettoyage					o		52
Patins d'embrayage	Vérification				o (2)			–
Vitesse de ralenti	Vérification-réglage					o (2)		–
Jeu de soupape	Vérification-réglage					o (2)		–
Courroie	Vérification	Toutes les 300 heures (2) (4)						
Chambre de combustion	Nettoyage	Toutes les 300 heures (2)						–
Tuyaux de carburant	Vérification	Tous les 2 ans (remplacez si nécessaire) (2)						–
Tube d'huile	Vérification	Tous les 2 ans (remplacez si nécessaire) (2)						

### NOTE :

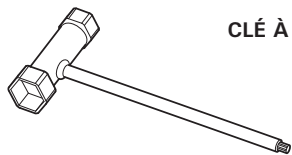
- (1) Pour usage commercial professionnel, enregistrez les heures d'utilisation pour déterminer la périodicité d'entretien correctes.
- (2) Confiez l'entretien de ces éléments au concessionnaire à moins d'avoir les outils appropriés et d'être mécaniquement compétent. Pour les procédures d'entretien, consultez le manuel d'atelier Honda.
- (3) En cas d'utilisation dans des endroits poussiéreux, augmentez la fréquence d'entretien.
- (4) Recherchez toutes traces d'usure anormale ou de fissures sur la courroie, et remplacez le cas échéant.



---

## Trousse à outils

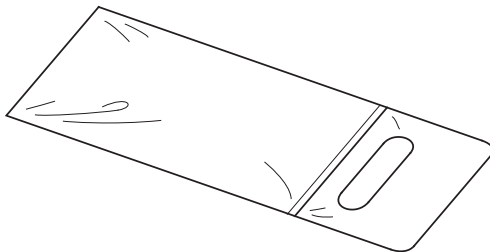
Les outils fournis sont nécessaires pour effectuer quelques entretiens périodiques, réglages et interventions simples.



**CLÉ À BOUGIE**



**CLÉ HEXAGONALE 4 mm**



**SAC À OUTILS**  
(UMC425U, UMC435U uniquement)

## 1. Remplacement de l'huile moteur

### PRECAUTION :

Si le moteur vient de tourner, le moteur, le silencieux et l'huile moteur sont très chauds et le restent pendant un certain temps après l'arrêt du moteur. Pour éviter de se brûler, attendez que ces pièces se soient refroidies avant de changer l'huile moteur.

### NOTE :

Vidangez l'huile lorsque le moteur est encore chaud pour que la vidange soit rapide et complète.

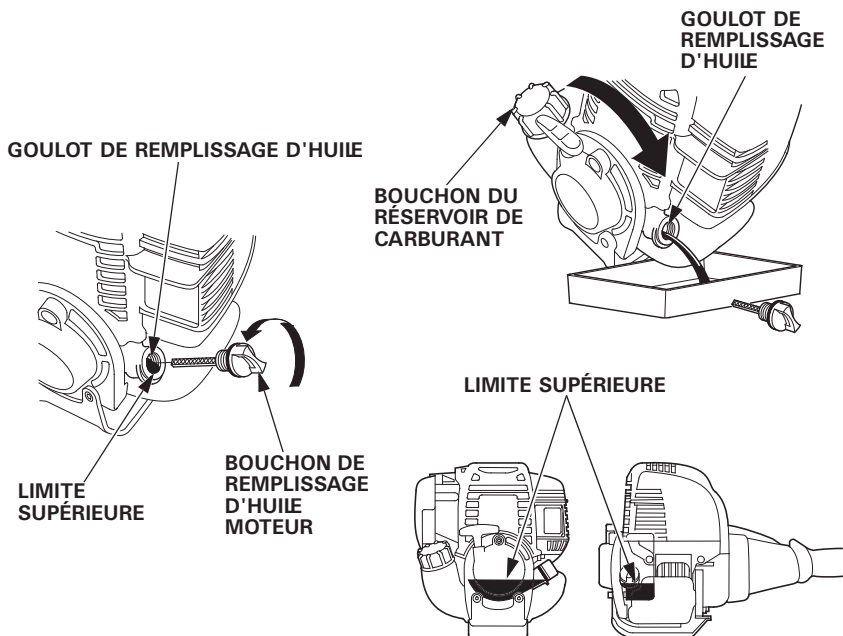
1. Vérifiez si le bouchon du réservoir de carburant est bien fermé.
2. Enlevez le bouchon de remplissage d'huile et vidangez l'huile dans un récipient approprié en retournant le moteur du côté du goulot de remplissage d'huile.
3. Remplissez avec l'huile recommandée (voir page 20) et vérifiez le niveau d'huile (voir page 19).
4. Réinstallez le bouchon de remplissage d'huile en le serrant fermement.

### CONTENANCE EN HUILE MOTEUR

UMC425E, UMC425U: 0.08 L

UMC435E, UMC435U: 0.10 L

Lavez vos mains avec de l'eau et du savon après avoir manipulé de l'huile usagée.



---

**NOTE :**

Mettez l'huile moteur usagée au rebut conformément à la réglementation environnementale. Nous vous conseillons de la garder dans un bidon fermé et de l'apporter au dépôt le plus proche. Ne la jetez pas à la décharge ou sur le sol.

## 2. Entretien du filtre à air

Si le filtre à air est sale, le passage vers le carburateur sera restreint. Pour éviter tout mauvais fonctionnement du carburateur, entretenez régulièrement le filtre à air. L'entretenir plus fréquemment lorsque le bloc-moteur est utilisé dans des endroits extrêmement poussiéreux.

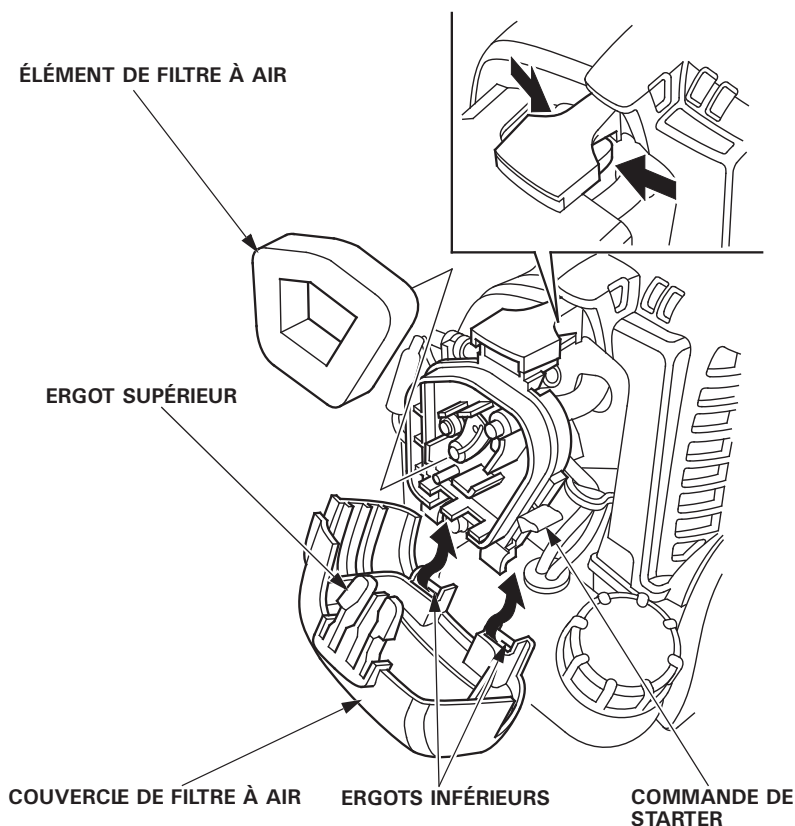
### ⚠ ATTENTION

N'utilisez jamais d'essence ou de solvant inflammable pour le nettoyage de l'élément du filtre à air. Un incendie ou une explosion peut en résulter.

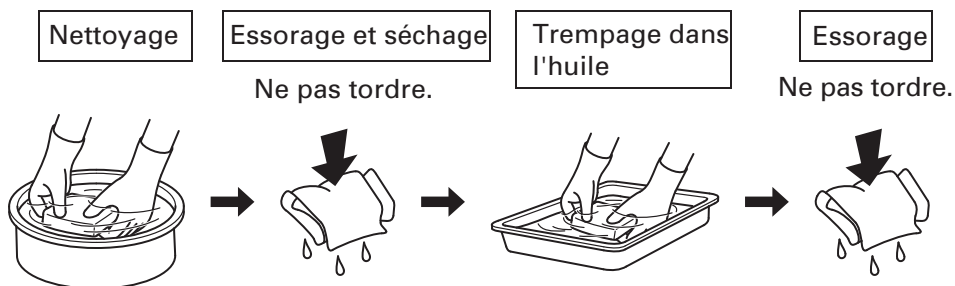
### PRECAUTION :

Ne faites jamais tourner le moteur sans le filtre à air. L'usure du moteur s'en trouverait accélérée.

1. Mettez la commande du starter en position CLOSED (en haut).
2. Retirez le couvercle du filtre à air en détachant l'ergot supérieur sur le dessus, ainsi que les deux ergots inférieurs.



- 
3. Nettoyez-le dans de l'eau savonneuse chaude, puis rincez-le et laissez-le sécher complètement. Il est aussi possible de le nettoyer dans un solvant à point d'inflammation élevé, puis de le laisser sécher. Trempez l'élément dans de l'huile moteur propre, puis essorez-le pour en extraire l'huile restante. S'il reste trop d'huile dans la mousse, le moteur fumera au premier démarrage.



4. Réinstallez l'élément de filtre à air.
5. Réinstallez le couvercle du filtre à air en introduisant les ergots inférieurs, puis ensuite l'ergot supérieur.

### 3. Entretien de la bougie d'allumage

**Bougie d'allumage recommandée : CMR5H (NGK)**

Pour assurer un bon fonctionnement du moteur, l'écartement des électrodes de la bougie doit être correct et la bougie ne doit pas être encrassée.

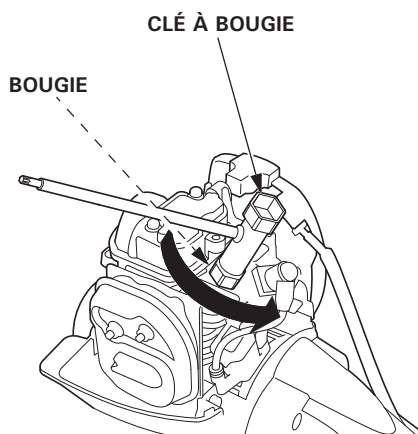
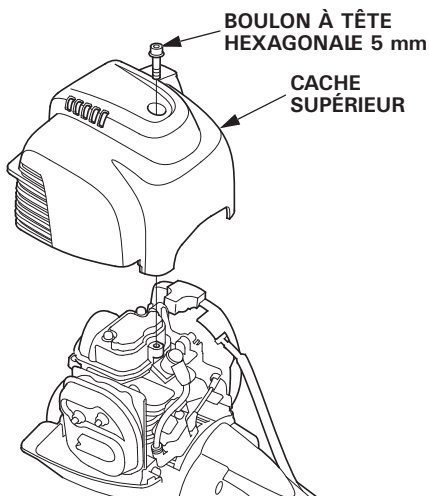
**▲ ATTENTION**

Si le moteur vient de tourner, le silencieux est très chaud. Faites attention de ne pas toucher le silencieux.

**PRECAUTION :**

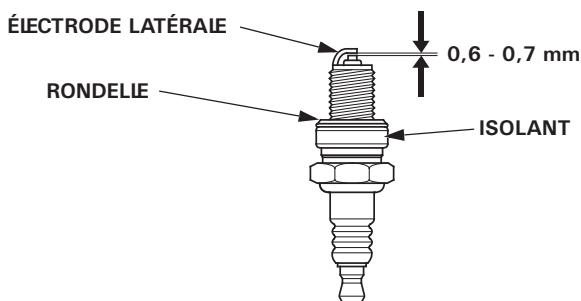
N'utilisez jamais une bougie dont le degré thermique n'est pas conforme.

1. Desserrez le boulon à tête hexagonale de 5 mm avec une clé hexagonale, puis déposez le cache supérieur.
2. Enlevez le capuchon de la bougie et utilisez la clé à bougie appropriée pour déposer la bougie.

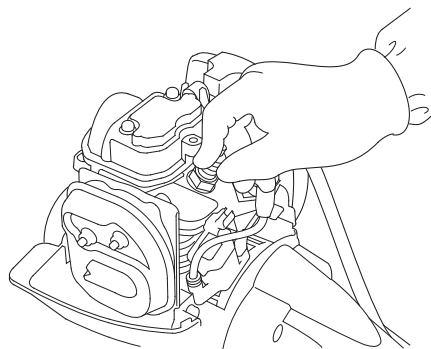


3. Vérifiez visuellement la bougie d'allumage. La jeter s'il y a une usure apparente ou si l'isolant est fêlé ou écaillé. Nettoyez la bougie d'allumage à l'aide d'une brosse métallique si elle doit être réutilisée.

- 
4. Mesurez l'écartement avec une jauge d'épaisseur.  
Rectifiez avec précaution en tordant l'électrode latérale.  
L'écartement doit être de : 0,6 - 0,7 mm



5. Vérifiez si la rondelle de la bougie est en bon état et revissez la bougie à la main pour éviter de fausser le filetage.  
6. Après avoir revissé la bougie à la main, serrez-la avec la clé à bougie pour comprimer la rondelle.



**NOTE :**

Si la bougie est neuve, serrez-la de 1/2 tour une fois en butée pour comprimer la rondelle. Si la bougie a déjà été utilisée, serrez-la de 1/8 à 1/4 de tour une fois en butée pour comprimer la rondelle.

**PRECAUTION :**

La bougie doit être bien serrée. Une bougie mal serrée peut devenir très chaude, ce qui peut endommager le moteur.

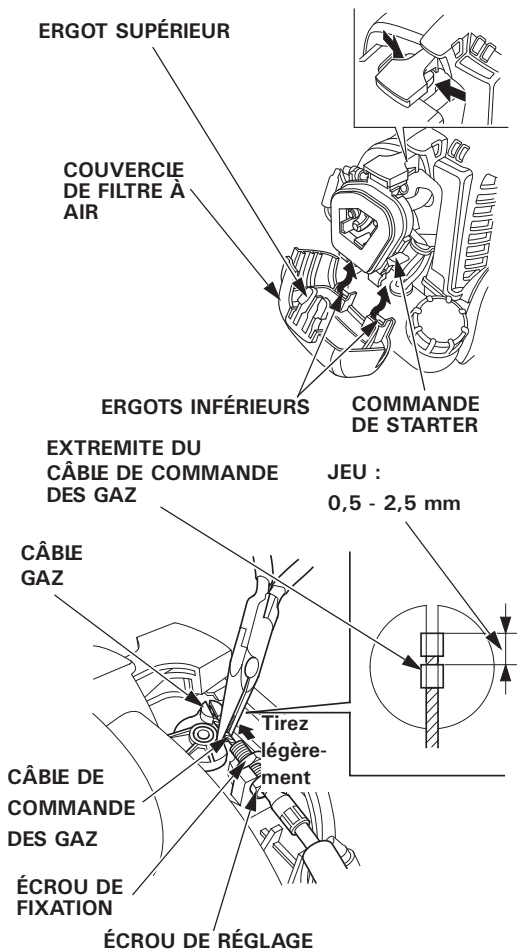
7. Remettez le capuchon de bougie en place.  
8. Reposez le cache supérieur et serrez le boulon à tête hexagonale de 5 mm à fond avec une clé hexagonale.

#### 4. Vérification et réglage du câble de commande des gaz

Réglez correctement le jeu du câble de commande des gaz.

##### Réglage :

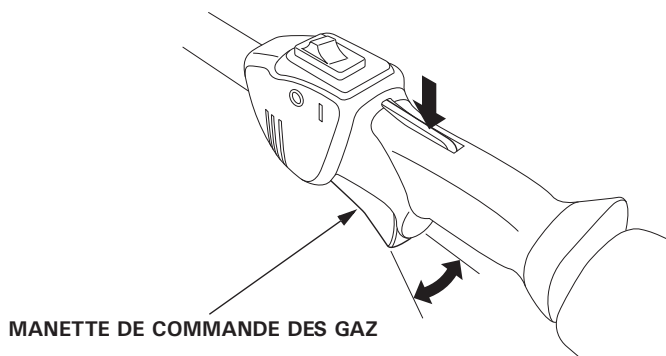
1. Mettez la commande du starter en position CLOSED (en haut).
2. Retirez le couvercle du filtre à air en détachant l'ergot supérieur sur le dessus, ainsi que les deux ergots inférieurs.
3. Tirez légèrement sur le câble de commande des gaz et tournez l'écrou de réglage pour ajuster la longueur du câble à l'extrémité de 0,5 – 2,5 mm (prenez les précautions nécessaires pour ne pas endommager le câble de commande des gaz.)





- 
4. Serrez à fond l'écrou de fixation de câble de commande des gaz.
  5. Actionnez le système de commande des gaz à plusieurs reprises et vérifiez s'il y a du jeu (c'est-à-dire que la commande des gaz ne se déplace pas en actionnant la manette de commande des gaz.)

Après le réglage, vérifiez le fonctionnement de la manette de commande des gaz. Le cas échéant, consultez votre concessionnaire Honda agréé.



6. Réinstallez le couvercle du filtre à air en introduisant les ergots inférieurs, puis ensuite l'ergot supérieur.

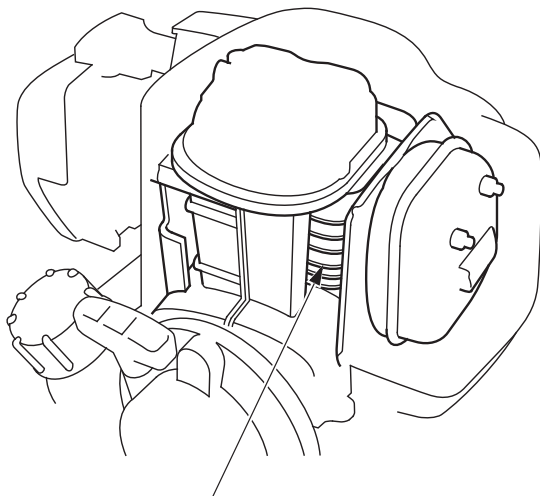
**PRECAUTION :**

- Après avoir retiré le cache de filtre à air, le réinstaller en le serrant fermement.  
S'il n'est pas serré à fond, le cache peut se décaler avec les vibrations ou un dysfonctionnement du moteur peut se produire.
- Si le filtre à air n'est pas monté ou mal installé quand le moteur tourne, les poussières peuvent pénétrer dans le moteur et risquent d'entraîner un dysfonctionnement.

---

## 5. Inspection des ailettes de refroidissement du moteur

Contrôlez visuellement les ailettes de refroidissement à travers le cache. En cas de colmatage par de l'herbe sèche, des feuilles ou de la boue, confiez le nettoyage à votre concessionnaire Honda agréé.



**AILETTES DE REFROIDISSEMENT**  
(à l'intérieur du cache supérieur)

## 6. Entretien du filtre de carburant/Nettoyage du réservoir de carburant

N'oubliez pas qu'un filtre de carburant obstrué peut avoir un effet négatif sur les performances du moteur.

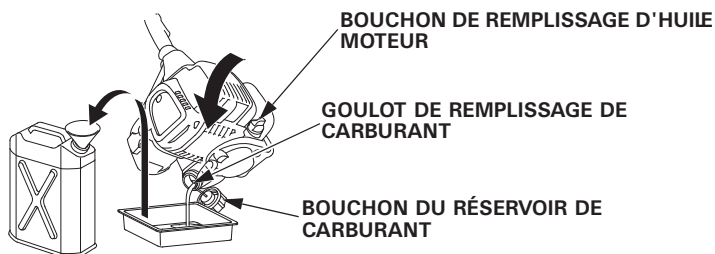
L'eau et les poussières, les saletés ou tout autre corps étranger peuvent, en pénétrant dans le réservoir de carburant, affecter les performances du moteur.

### ▲ ATTENTION

L'essence est un produit hautement inflammable et qui explose sous certaines conditions. Faites très attention en manipulant l'essence pour éviter tout risque de brûlure ou autre blessure. Respectez ce qui suit pour l'entretien du filtre de carburant et le nettoyage du réservoir de carburant.

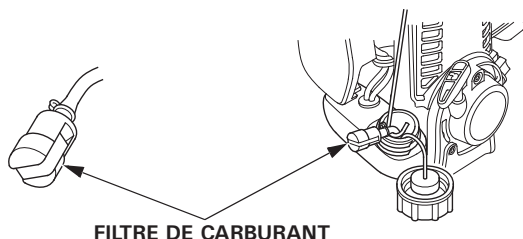
- Arrêtez le moteur.
- Inspectez dans un endroit bien aéré.
- Éloignez-vous des sources de chaleur, des étincelles ou des flammes. Ne fumez pas.
- Évitez de renverser l'essence. Dans ce cas, essayez immédiatement et mettez le chiffon qui a servi à essuyer au rebut en respectant la protection de l'environnement.

1. Vérifiez le serrage du bouchon de remplissage d'huile moteur.
2. Enlevez le bouchon du réservoir de carburant et vidangez l'essence dans un récipient en retournant le moteur du côté du goulot de remplissage de carburant.



3. Tirez doucement le filtre de carburant hors du goulot de remplissage de carburant à l'aide d'un fil mécanique.

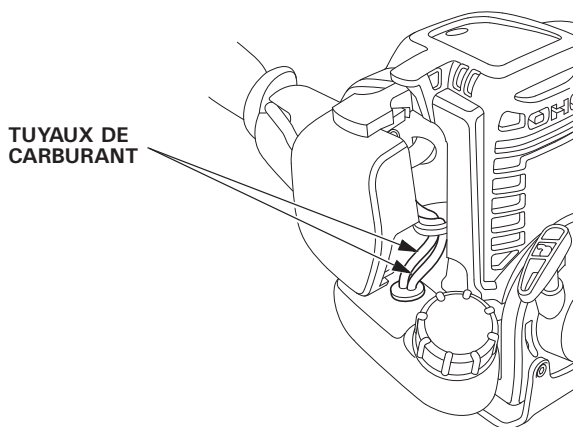
- 
4. Vérifiez si le filtre de carburant n'est pas souillé. Si le filtre à carburant est sale, lavez-le doucement avec un solvant ininflammable ou à point d'éclair élevé. S'il est très sale, remplacez-le.



5. Éliminez toute trace d'eau et de saletés dans le réservoir de carburant en rinçant le réservoir avec un solvant ininflammable ou à point d'éclair haut.
6. Reposez le filtre à carburant dans le réservoir de carburant et serrez le bouchon du réservoir de carburant à fond.

#### 7. Vérification du tuyau de carburant

Recherchez des fissures et autres détériorations sur les tuyaux de carburant ainsi que d'éventuelles fuites des tuyaux de carburant. Si une anomalie est présente sur les tuyaux de carburant, contactez un concessionnaire agréé Honda.



# 10. TRANSPORT

---

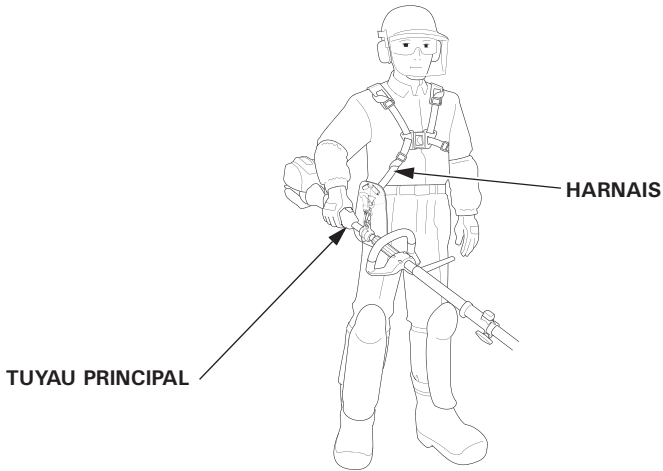
## PRECAUTION :

Pour éviter les risques de brûlures ou d'incendie, laissez le moteur refroidir avant de transporter le bloc-moteur.

Mettez la commande moteur en position OFF. Vérifiez si le bouchon du réservoir de carburant est bien fermé.

Pour porter le bloc-moteur à la main :

Attachez-le au harnais ou tenez le tuyau principal de manière à bien l'équilibrer.



Pour porter le bloc-moteur dans un véhicule :

Mettez le bloc-moteur de niveau et prenez les précautions nécessaires pour éviter qu'il ne bouge ou qu'il ne tombe.

Avant de remiser ce bloc-moteur, certaines préparations sont essentielles pour le maintenir en bon état et préserver son aspect. Les procédures suivantes permettent d'éviter la formation de rouille et la corrosion sur le bloc-moteur.

## PRECAUTION :

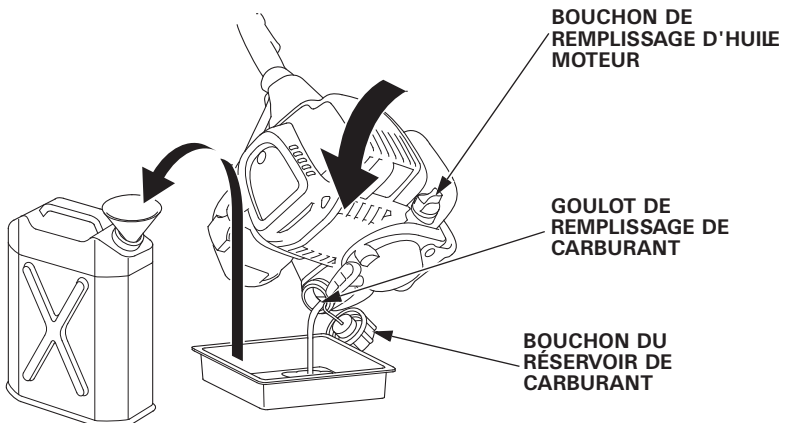
- Immédiatement après avoir utilisé le bloc-moteur, le moteur est très chaud. Attendez qu'il refroidisse avant de commencer les préparatifs de remisage.
- Placez le bloc-moteur sur une surface horizontale et assurez-vous que la commande moteur est en position OFF pour ne pas risquer un démarrage accidentel du moteur.

1. Nettoyez toutes les surfaces externes, retouchez à la peinture les parties écaillées et enduisez d'une fine couche d'huile toutes les surfaces susceptibles de rouiller.
2. Vidangez le carburant.

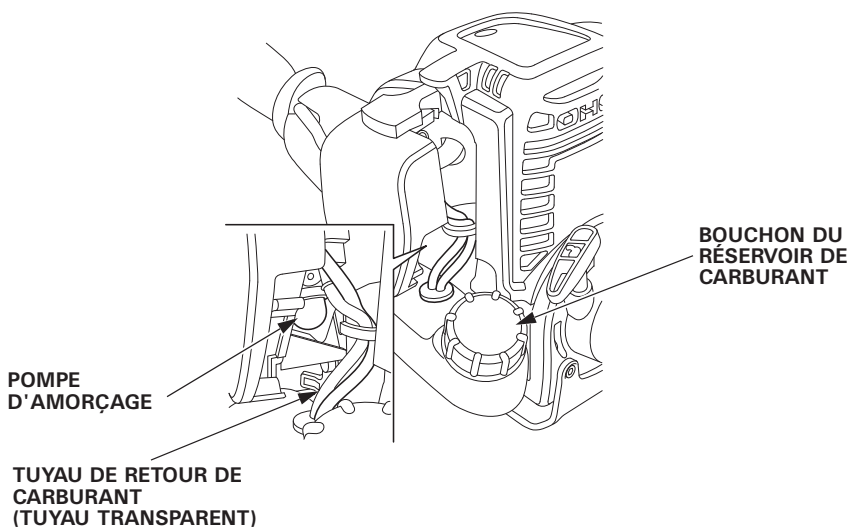
## ▲ ATTENTION

L'essence est un produit hautement inflammable et qui explose sous certaines conditions. Ne fumez pas et évitez les flammes ou les étincelles dans la zone.

- a. Vérifiez le serrage du bouchon de remplissage d'huile moteur.
- b. Enlevez le bouchon du réservoir de carburant et vidangez le carburant dans un récipient en retournant le moteur du côté du goulot de remplissage d'essence.



- c. Activez la pompe d'amorçage plusieurs fois jusqu'à ce tout le carburant dans le tuyau de retour soit refoulée dans le réservoir de carburant.



- d. Retournez à nouveau le moteur du côté du goulot de remplissage de carburant pour vider tout le carburant restant du réservoir dans un récipient.  
e. Resserrez le bouchon du réservoir de carburant après avoir vidé complètement celui-ci.

**NOTE :**

- Une essence dégradée peut provoquer des dommages imprévus au moteur.
- L'essence doit être stockée dans un récipient propre utilisé exclusivement pour l'essence.
- L'essence doit être stockée dans un endroit frais et bien aéré.

3. Changez l'huile moteur (Voir page 43).
4. Nettoyez le filtre à air (Voir pages 45, 46).
5. Déposez le cache supérieur, déposez la bougie et versez environ une cuillère à soupe d'huile moteur propre dans le cylindre.
6. Lancez le moteur de plusieurs tours pour distribuer l'huile, puis reposez la bougie. Tirez doucement la poignée de starter jusqu'à ce que vous ressentiez une résistance. Reposez le cache supérieur.
7. Mettez la commande du starter en position CLOSED (voir page 35).
8. Couvrez le bloc-moteur et rangez-le dans un endroit sec à l'abri de la poussière.

Si le moteur ne démarre pas :

1. La commande moteur est-elle sur ON ?
2. Y a-t-il du carburant dans le réservoir (voir page 21) ?

**▲ ATTENTION**

**L'essence est un produit hautement inflammable et qui explose sous certaines conditions. Ne fumez pas et évitez les flammes ou les étincelles dans la zone.**

3. L'essence arrive-t-elle au carburateur ?  
Pour confirmer, activez plusieurs fois la pompe d'amorçage (voir page 35).
4. La bougie est-elle en bon état ?  
Nettoyez, rectifiez l'écartement et séchez la bougie. Remplacez-la si nécessaire (voir page 47).
5. Si le moteur ne démarre toujours pas, faites contrôler le bloc-moteur par un concessionnaire Honda agréé.



## 13. CARACTÉRISTIQUES

---

MODÈLE	UMC425E	UMC435E
Code Description	HACT	HADT

MODÈLE	UMC425U	UMC435U
Code Description	HAET	HAFT

### Cadre

MODÈLE	UMC425E UMC425U	UMC435E UMC435U
Type de poignée	Boucle	
Type d'embrayage	Embrayage centrifuge	
Longueur totale	1135 mm	1145 mm
Largeur totale	315 mm	320 mm
Hauteur totale	245 mm	255 mm
Masse sèche (poids)	5,1 kg	6,0 kg

### NOTE :

Les caractéristiques peuvent changer en fonction du type et sont sujettes à modifications sans préavis.

## Moteur

MODÈLE	UMC425E	UMC425U
Modèle moteur	GX25T	
Code Description moteur	GCALT	
Type de moteur	4 temps, cames en tête, 1 cylindre	
Déplacement	25,0 cm <sup>3</sup>	
Alésage et temps	35,0 x 26,0 mm	
Puissance nette du moteur (selon la norme SAE J1349*)	0,72 kW/7 000 tr/min	
Couple moteur net max (selon la norme SAE J1349*)	1,0 N.m/5000 tr/min	
Vitesse de ralenti	3 100 ± 200 tr/min	
Vitesse d'axe correspondant maximum	MIN. 10 000 tr/min	
Système de refroidissement	Air forcé	
Système d'allumage	"Transistor magneto"	
Capacité en huile	0,08 L (0,08 US qt, 0,07 Imp qt)	
Capacité du réservoir de carburant	0,58 L (0,153 US gal, 0,128 Imp gal)	
Bougie	CMR5H (NGK)	

\* La puissance nominale du moteur indiquée dans ce document est la puissance de sortie nette testée sur un moteur de production de ce modèle, et mesurée conformément à la norme SAE J1349 à 7 000 tr/min (puissance nette du moteur) et à 5000 tr/min (couple net maxi du moteur). Les moteurs de production de masse peuvent varier de cette valeur.

La puissance de sortie réelle lorsque le moteur est installé dans la machine variera en fonction de plusieurs facteurs, y compris la vitesse de fonctionnement du moteur pendant l'utilisation, les conditions environnementales, la maintenance et autres variables.

### NOTE:

Les caractéristiques peuvent changer en fonction du type et sont sujettes à modifications sans préavis.

## Moteur

MODÈLE	UMC435E	UMC435U
Modèle moteur	GX35T	
Code Description moteur	GCAMT	
Type de moteur	4 temps, cames en tête, 1 cylindre	
Déplacement	35,8 cm <sup>3</sup>	
Alésage et temps	39,0 x 30,0 mm	
Puissance nette du moteur (selon la norme SAE J1349*)	1,0 kW/7 000 tr/min	
Couple moteur net max (selon la norme SAE J1349*)	1,6 N.m/5500 tr/min	
Vitesse de ralenti	3 100 ± 200 tr/min	
Vitesse d'axe correspondant maximum	MIN. 10 000 tr/min	
Système de refroidissement	Air forcé	
Système d'allumage	"Transistor magneto"	
Capacité en huile	0,10 L (0,11 US qt, 0,09 Imp qt)	
Capacité du réservoir de carburant	0,63 L (0,166 US gal, 0,139 Imp gal)	
Bougie	CMR5H (NGK)	

\* La puissance nominale du moteur indiquée dans ce document est la puissance de sortie nette testée sur un moteur de production de ce modèle, et mesurée conformément à la norme SAE J1349 à 7 000 tr/min (puissance nette du moteur) et à 5500 tr/min (couple net maxi du moteur). Les moteurs de production de masse peuvent varier de cette valeur.

La puissance de sortie réelle lorsque le moteur est installé dans la machine variera en fonction de plusieurs facteurs, y compris la vitesse de fonctionnement du moteur pendant l'utilisation, les conditions environnementales, la maintenance et autres variables.

### NOTE:

Les caractéristiques peuvent changer en fonction du type et sont sujettes à modifications sans préavis.

## Bruit et vibration (modèle européen)

MODÈLE		UMC425E	
FIXATION		Débroussailleuse	Taille-bordures
Niveau de pression sonore aux oreilles de l'opérateur EN ISO 22868 : 2011		92dB(A)	97dB(A)
Incertitude		1dB(A)	1dB(A)
Niveau de puissance sonore mesurée (2000/14/CE, 2005/88/CE)		102dB(A)	111dB(A)
Incertitude		1dB(A)	1dB(A)
Niveau de puissance sonore garantie (2000/14/CE, 2005/88/CE)		112dB(A)	112dB(A)
Niveau de vibration dans les bras/mains (EN ISO 22867: 2011)	Fr.	4,7 m/s <sup>2</sup>	5,8 m/s <sup>2</sup>
	Rr.	6,5 m/s <sup>2</sup>	5,8 m/s <sup>2</sup>
Incertitude (EN 12096: 1997 Annexe D)	Fr.	2,4 m/s <sup>2</sup>	2,3 m/s <sup>2</sup>
	Rr.	2,6 m/s <sup>2</sup>	2,3 m/s <sup>2</sup>

MODÈLE		UMC425E		
FIXATION		Élagueuse		Soufflante
		Standard	Extension	
Niveau de pression sonore aux oreilles de l'opérateur EN ISO 22868 : 2011		90dB(A)		93dB(A)
Incertitude		1dB(A)		1dB(A)
Niveau de puissance sonore mesurée (2000/14/CE, 2005/88/CE)		104dB(A)		105dB(A)
Incertitude		1dB (A)		1dB(A)
Niveau de puissance sonore garantie (2000/14/CE, 2005/88/CE)		107dB(A)		107dB(A)
Niveau de vibration dans les bras/mains (EN ISO 22867: 2011)	Fr.	4,4 m/s <sup>2</sup>	4,1 m/s <sup>2</sup>	5,0 m/s <sup>2</sup>
	Rr.	4,4 m/s <sup>2</sup>	6,5 m/s <sup>2</sup>	5,0 m/s <sup>2</sup>
Incertitude (EN 12096: 1997 Annexe D)	Fr.	2,2 m/s <sup>2</sup>	2,0 m/s <sup>2</sup>	2,5 m/s <sup>2</sup>
	Rr.	2,2 m/s <sup>2</sup>	2,6 m/s <sup>2</sup>	2,5 m/s <sup>2</sup>

NOTE : Les caractéristiques peuvent changer en fonction du type et sont sujettes à modifications sans préavis.

## Bruit et vibration (modèle européen)

MODÈLE		UMC425E		
FIXATION		Taille-haie		
		Court	Long	Extension - longue
Niveau de pression sonore aux oreilles de l'opérateur EN ISO 22868 : 2011		90dB(A)		
Incertitude		1dB(A)		
Niveau de puissance sonore mesurée (2000/14/CE, 2005/88/CE)		101dB(A)		
Incertitude		1dB(A)		
Niveau de puissance sonore garantie (2000/14/CE, 2005/88/CE)		106dB(A)		
Niveau de vibration dans les bras/mains (EN ISO 22867: 2011)	Fr.	5,9 m/s <sup>2</sup>	7,0 m/s <sup>2</sup>	3,5 m/s <sup>2</sup>
	Rr.	4,4 m/s <sup>2</sup>	4,5 m/s <sup>2</sup>	6,2 m/s <sup>2</sup>
Incertitude (EN 12096: 1997 Annexe D)	Fr.	2,4 m/s <sup>2</sup>	2,8 m/s <sup>2</sup>	1,7 m/s <sup>2</sup>
	Rr.	2,2 m/s <sup>2</sup>	2,3 m/s <sup>2</sup>	2,5 m/s <sup>2</sup>

MODÈLE		UMC425E		
FIXATION		Coupe-bordures		Cultivateur
Niveau de pression sonore aux oreilles de l'opérateur EN ISO 22868 : 2011		91dB(A)		89dB(A)
Incertitude		1dB(A)		2dB(A)
Niveau de puissance sonore mesurée (EN ISO 22868: 2011)		102dB(A)		102dB(A)
Incertitude		1dB(A)		2dB(A)
Niveau de puissance sonore garantie (EN ISO 22868: 2011)		106dB(A)		106dB(A)
Niveau de vibration dans les bras/mains (EN ISO 22867: 2011)	Fr.	4,8 m/s <sup>2</sup>		3,7 m/s <sup>2</sup>
	Rr.	6,2 m/s <sup>2</sup>		5,7 m/s <sup>2</sup>
Incertitude (EN 12096: 1997 Annexe D)	Fr.	2,4 m/s <sup>2</sup>		1,9 m/s <sup>2</sup>
	Rr.	2,5 m/s <sup>2</sup>		2,3 m/s <sup>2</sup>

NOTE : Les caractéristiques peuvent changer en fonction du type et sont sujettes à modifications sans préavis.

## Bruit et vibration (modèle européen)

MODÈLE		UMC435E	
FIXATION		Débroussailleuse	Taille-bordures
Niveau de pression sonore aux oreilles de l'opérateur EN ISO 22868 : 2011		92dB(A)	97dB(A)
Incertitude		1dB(A)	1dB(A)
Niveau de puissance sonore mesurée (2000/14/CE, 2005/88/CE)		105dB(A)	110dB(A)
Incertitude		1dB(A)	1dB(A)
Niveau de puissance sonore garantie (2000/14/CE, 2005/88/CE)		112dB(A)	112dB(A)
Niveau de vibration dans les bras/mains (EN ISO 22867: 2011)	Fr.	4,9 m/s <sup>2</sup>	5,5 m/s <sup>2</sup>
	Rr.	6,1 m/s <sup>2</sup>	6,8 m/s <sup>2</sup>
Incertitude (EN 12096: 1997 Annexe D)	Fr.	2,5 m/s <sup>2</sup>	2,2 m/s <sup>2</sup>
	Rr.	2,4 m/s <sup>2</sup>	2,7 m/s <sup>2</sup>

MODÈLE		UMC435E		
FIXATION		Élagueuse		Soufflante
		Standard	Extension	
Niveau de pression sonore aux oreilles de l'opérateur EN ISO 22868 : 2011		90dB(A)		94dB(A)
Incertitude		2dB(A)		2dB(A)
Niveau de puissance sonore mesurée (2000/14/CE, 2005/88/CE)		105dB(A)		105dB(A)
Incertitude		2dB (A)		2dB(A)
Niveau de puissance sonore garantie (2000/14/CE, 2005/88/CE)		107dB(A)		107dB(A)
Niveau de vibration dans les bras/mains (EN ISO 22867: 2011)	Fr.	5,6 m/s <sup>2</sup>	3,0 m/s <sup>2</sup>	4,3 m/s <sup>2</sup>
	Rr.	4,3 m/s <sup>2</sup>	5,7 m/s <sup>2</sup>	5,0 m/s <sup>2</sup>
Incertitude (EN 12096: 1997 Annexe D)	Fr.	2,3 m/s <sup>2</sup>	1,5 m/s <sup>2</sup>	2,2 m/s <sup>2</sup>
	Rr.	2,1 m/s <sup>2</sup>	2,3 m/s <sup>2</sup>	2,5 m/s <sup>2</sup>

NOTE : Les caractéristiques peuvent changer en fonction du type et sont sujettes à modifications sans préavis.

## Bruit et vibration (modèle européen)

MODÈLE		UMC435E		
FIXATION		Taille-haie		
		Court	Long	Extension - longue
Niveau de pression sonore aux oreilles de l'opérateur EN ISO 22868 : 2011		92dB(A)		
Incertitude		2dB(A)		
Niveau de puissance sonore mesurée (2000/14/CE, 2005/88/CE)		104dB(A)		
Incertitude		2dB(A)		
Niveau de puissance sonore garantie (2000/14/CE, 2005/88/CE)		106dB(A)		
Niveau de vibration dans les bras/mains (EN ISO 22867: 2011)	Fr.	6,9 m/s <sup>2</sup>	5,9 m/s <sup>2</sup>	3,7 m/s <sup>2</sup>
	Rr.	4,2 m/s <sup>2</sup>	4,1 m/s <sup>2</sup>	5,8m/s <sup>2</sup>
Incertitude (EN 12096: 1997 Annexe D)	Fr.	2,8 m/s <sup>2</sup>	2,4 m/s <sup>2</sup>	1,8 m/s <sup>2</sup>
	Rr.	2,1 m/s <sup>2</sup>	2,1 m/s <sup>2</sup>	2,3 m/s <sup>2</sup>

MODÈLE		UMC435E		
FIXATION		Coupe-bordures		Cultivateur
Niveau de pression sonore aux oreilles de l'opérateur EN ISO 22868 : 2011		91dB(A)		91dB(A)
Incertitude		1dB(A)		2dB(A)
Niveau de puissance sonore mesurée (EN ISO 22868: 2011)		105dB(A)		104dB(A)
Incertitude		1dB(A)		2dB(A)
Niveau de puissance sonore garantie (EN ISO 22868: 2011)		106dB(A)		106dB(A)
Niveau de vibration dans les bras/mains (EN ISO 22867: 2011)	Fr.	6,0 m/s <sup>2</sup>		4,3 m/s <sup>2</sup>
	Rr.	6,3 m/s <sup>2</sup>		6,5 m/s <sup>2</sup>
Incertitude (EN 12096: 1997 Annexe D)	Fr.	2,4 m/s <sup>2</sup>		2,2 m/s <sup>2</sup>
	Rr.	2,5 m/s <sup>2</sup>		2,6 m/s <sup>2</sup>

NOTE : Les caractéristiques peuvent changer en fonction du type et sont sujettes à modifications sans préavis.

## Bruit et vibration (modèle australien)

MODÈLE		UMC425U	
FIXATION		Débroussaileuse	Taille-bordures
Niveau de pression sonore (standard Australie, Nouvelle-Galles- du-Sud)		69dB(A)	75dB(A)
Niveau de pression sonore aux oreilles		(AS3575: 1995+ Amdt1:1997)	95dB(A)
Niveau de vibration	Fr.		8 m/s <sup>2</sup>
	Rr.		10 m/s <sup>2</sup>
		12 m/s <sup>2</sup>	10 m/s <sup>2</sup>

MODÈLE		UMC425U	
FIXATION		Élagueuse	Soufflante
Niveau de pression sonore (standard Australie, Nouvelle-Galles- du-Sud)		72dB(A)	77dB(A)

MODÈLE		UMC425U	
FIXATION		Taille-haie	Coupe-bordures
Niveau de pression sonore (standard Australie, Nouvelle-Galles- du-Sud)		70dB(A)	70dB(A)

MODÈLE		UMC425U	
FIXATION		Cultivateur	
Niveau de pression sonore (standard Australie, Nouvelle-Galles- du-Sud)		69dB(A)	

NOTE : Les caractéristiques peuvent changer en fonction du type et sont sujettes à modifications sans préavis.



## Bruit et vibration (modèle australien)

MODÈLE		UMC435U			
FIXATION		Débroussaileuse	Taille-bordures		
Niveau de pression sonore (standard Australie, Nouvelle-Galles- du-Sud)		72dB(A)	77dB(A)		
Niveau de pression sonore aux oreilles		96dB(A)	101dB(A)		
Niveau de vibration	Fr.			9 m/s <sup>2</sup>	9 m/s <sup>2</sup>
	Rr.			11 m/s <sup>2</sup>	12 m/s <sup>2</sup>
		(AS3575: 1995+ Amdt1:1997)			

MODÈLE		UMC435U	
FIXATION		Élagueuse	Soufflante
Niveau de pression sonore (standard Australie, Nouvelle-Galles- du-Sud)		75dB(A)	77dB(A)

MODÈLE		UMC435U	
FIXATION		Taille-haie	Coupe-bordures
Niveau de pression sonore (standard Australie, Nouvelle-Galles- du-Sud)		73dB(A)	72dB(A)

MODÈLE		UMC435U	
FIXATION		Cultivateur	
Niveau de pression sonore (standard Australie, Nouvelle-Galles- du-Sud)		72dB(A)	

NOTE : Les caractéristiques peuvent changer en fonction du type et sont sujettes à modifications sans préavis.

**Honda UMC425E • UMC435E  
UMC425U • UMC435U**

**BEDIENUNGSANLEITUNG**  
Originalbetriebsanleitung



ECOLOGY CONSCIOUS TECHNOLOGY

“e-SPEC” wurde ursprünglich auf unseren Wunsch kreiert, die Natur auch für zukünftige Generationen zu erhalten. Nun symbolisiert dieses Logo umweltbewusste Technologien, die Honda bei ihren Motoren, elektrischen Einrichtungen, Außenmotoren usw. einsetzt.

# EINFÜHRUNG

---

Vielen Dank für den Kauf dieses Honda-Antriebskopfs.

An die Honda-Antriebsköpfe UMC425E, UMC435E, UMC425U und UMC435U lassen sich verschiedene von Honda zugelassene Anbaugeräte anbringen, um so unterschiedliche Arbeiten ausführen zu können.

Dieses Handbuch stellt Angaben zu Betrieb und Wartung folgender Honda-Antriebsköpfe bereit: UMC425E • UMC435E • UMC425U • UMC435U.

Honda Motor Co., Ltd. behält sich das Recht vor, jederzeit ohne Vorankündigung Änderungen vorzunehmen, ohne dabei irgendwelche Verpflichtungen einzugehen.

Kein Teil dieser Veröffentlichung darf ohne schriftliche Genehmigung vervielfältigt werden.

Dieses Handbuch sollte als permanenter Teil des Antriebskopfs angesehen werden und ist bei einem Wiederverkauf dem neuen Besitzer auszuhändigen.

Beachten Sie besonders die Hinweise, die nach folgenden Ausdrücken stehen;

**▲ WARNUNG** **Weist auf Verletzungs- oder Lebensgefahr hin, wenn die Anweisungen nicht befolgt werden.**

**VORSICHT:** **Zeigt mögliche Verletzungsgefahr oder Beschädigung des Geräts an, wenn die Anweisungen nicht befolgt werden.**

HINWEIS: Gibt nützliche Informationen.

Falls Störungen auftreten, oder wenn Sie irgendwelche Fragen bezüglich des Antriebskopfs haben, wenden Sie sich bitte an einen autorisierten Honda-Händler.

Honda-Antriebsköpfe sind für sicheren und zuverlässigen Betrieb konstruiert, wenn sie gemäß der Betriebsanleitung bedient werden.

**▲ WARNUNG**

**Zum Betrieb dieses Antriebskopfs sind besondere Maßnahmen seitens des Benutzers erforderlich, um die eigene Sicherheit und die anderer Personen zu gewährleisten. Lesen Sie zum Verständnis diese Bedienungsanleitung durch, bevor Sie den Antriebskopf in Betrieb nehmen; Nichtbeachtung kann eine Körperverletzung oder Beschädigung des Gerätes zur Folge haben.**

Die hierin enthaltenen Abbildungen basieren hauptsächlich auf folgendem Modell: UMC435E

- Die Abbildungen können je nach Typ unterschiedlich sein.

---

### **Entsorgung**

Aus Umweltschutzgründen dürfen dieses Produkt, Batterien, Motoröl usw. nicht einfach in den Müll gegeben werden. Beachten Sie die örtlichen Gesetze und Vorschriften oder setzen Sie sich bezüglich Entsorgung mit Ihrem Honda-Händler in Verbindung.

# INHALT

---

1. SICHERHEITSREGELN .....	3
2. LAGE DER SICHERHEITSAUFKLEBER.....	11
3. BEZEICHNUNG DER TEILE .....	13
4. BEDIENUNGSELEMENTE.....	15
5. ÜBERPRÜFUNGEN VOR DER INBETRIEBNAHME .....	19
6. ANLASSEN DES MOTORS .....	34
7. BETRIEB .....	38
8. ABSTELLEN DES MOTORS .....	39
9. WARTUNG.....	40
10. TRANSPORT .....	54
11. LANGZEITLAGERUNG.....	55
12. STÖRUNGSBESEITIGUNG.....	57
13. TECHNISCHE DATEN.....	58
ADRESSEN DER WICHTIGSTEN	
Honda-VERTRIEBSHÄNDLER.....	Dritte Umschlagseite
“EG-Konformitätserklärung”	
INHALTSÜBERSICHT .....	Dritte Umschlagseite

# 1. SICHERHEITSREGELN

## ▲ WARNUNG

### Um einen sicheren Betrieb zu gewährleisten

Um Ihre eigene und die Sicherheit anderer zu gewährleisten, sind die folgenden Vorsichtsmaßnahmen besonders zu beachten:



- Der Honda-Antriebskopf ist für sicheren und zuverlässigen Betrieb konstruiert, wenn er gemäß der Betriebsanleitung bedient wird. Lesen Sie zum Verständnis die Bedienungsanleitung durch, bevor Sie den Antriebskopf in Betrieb nehmen. Eine Nichtbeachtung der Vorsichtsmaßnahmen kann zu Verletzungen des Bedieners oder zur Beschädigung des Geräts führen.



- Benzin ist außerordentlich feuergefährlich und kann unter gewissen Bedingungen explodieren.
- Beim Auftanken und an Orten, an denen Kraftstoff gelagert wird, nicht rauchen und offene Flammen oder Funken fernhalten.
- Den Tank nicht überfüllen und nach dem Tanken sicherstellen, dass der Tankdeckel einwandfrei geschlossen ist.
- Nur in gut belüfteter Umgebung bei abgestelltem Motor auftanken.



- Abgase enthalten Kohlenmonoxid, ein farb- und geruchloses Giftgas. Einatmung von Kohlenmonoxid kann Bewusstlosigkeit verursachen und tödlich wirken.
- Wenn Sie den Antriebskopf in einem geschlossenen oder auch nur teilweise geschlossenen Raum laufen lassen, kann die Luft, die Sie einatmen, eine gefährliche Abgasmenge enthalten.
- Der Antriebskopf darf auf keinen Fall in einer Garage, in einem Haus oder in der Nähe geöffneter Fenster und Türen betrieben werden.

---

**▲ WARNUNG****Um einen sicheren Betrieb zu gewährleisten****Sicherheitshinweise für die Bedienungsperson**

- Verwenden Sie nur von Honda zugelassene Anbaugeräte. Ansonsten kann es zu Verletzungen oder Unfällen kommen.
- Lesen und befolgen Sie die in der Bedienungsanleitung für das jeweilige Gerät enthaltenen Anweisungen.
- Bei Ermüdung, Krankheit oder unter Einfluss von Alkohol bzw. Medikamenten dürfen Sie den Antriebskopf auf keinen Fall betreiben.
- Jede Komponente des Geräts ist als Gefahrenquelle zu betrachten, wenn das Gerät unter abnormalen Betriebsbedingungen verwendet oder die Wartung nicht wie vorgeschrieben ausgeführt wird.
- Lesen Sie die Bedienungsanleitung aufmerksam durch. Machen Sie sich mit allen Bedienungselementen des Antriebskopfs vertraut und lernen Sie, diese richtig zu betätigen. Sie müssen wissen, wie der Motor schnell gestoppt wird.
- Niemals Kindern oder Personen, welche die Bedienungsanleitung nicht durchgelesen haben, die Erlaubnis zur Inbetriebnahme des Antriebskopfs erteilen. Örtliche Vorschriften können das Alter des Bedieners beschränken.
- Falls Sie Ihren Antriebskopf ausleihen oder verkaufen, sollten Sie die jeweilige Person über die Handhabungsweise des Geräts unterrichten und darauf hinweisen, dass die Bedienungsanleitung vor Inbetriebnahme unbedingt aufmerksam durchgelesen werden muss.
- Betreiben Sie den Antriebskopf niemals, wenn:
  - Personen, insbesondere Kinder, oder Tiere sich in der Nähe befinden.
  - Sie müde oder unter dem Einfluss von Medikamenten oder sonstigen Stoffen stehen, die sich auf Ihr Urteils- oder Reaktionsvermögen auswirken.
- Jedes Anbaugerät weist einen bestimmten Arbeitsbereich auf, in dem sich keine Personen oder Tiere befinden dürfen. Befolgen Sie die in der Bedienungsanleitung für das jeweilige Gerät enthaltenen Anweisungen.
- Beachten Sie, dass die Bedienungsperson bzw. der Benutzer für Verletzungen dritter Personen und Eigentumsschäden haftbar ist.

---

**▲ WARNUNG****Um einen sicheren Betrieb zu gewährleisten****Sicherheitshinweise für die Bedienungsperson**

- Beim Arbeiten mit dem Antriebskopf sind stets Schutzbekleidung und Schutzvorrichtungen zu tragen.
- Befolgen Sie bezüglich der zu tragenden Schutzbekleidung und Schutzvorrichtungen die in der Bedienungsanleitung für das jeweilige Gerät enthaltenen Anweisungen.
  - Schutzbekleidung
    - Angemessene Kleidung tragen, die Arme und Beine bedeckt. Die Kleidung muss eng anliegen; Knöpfe und Reißverschlüsse sind sicher zu schließen. Hemdsärmel und Hemd/Jacke müssen geschlossen sein.
    - Auch darauf achten, dass die Unterarme geschützt sind (Armschutz tragen).
    - Keine Kleidungsstücke tragen, die mit Schleifen, Spitzen und/oder Bändern versehen sind; lockere Kleidung, Krawatten, Halsketten usw. können sich während des Betriebs im Antriebskopf verfangen. Lange Haare zusammenbinden und hochstecken; die Haare nicht länger als Schulterlänge tragen.
  - Schutzvorrichtungen
    - \* Schutzbrille
      - Tragen Sie eine Schutzbrille oder einen sonstigen Augenschutz, um Ihre Augen vor hochgeschleuderten Objekten zu schützen.
    - \* Sicherheitshelm
      - Tragen Sie den Helm zum Schutz Ihres Kopfs gegen Zweige und herunterfallende Fremdkörper.
    - \* Gesichtsschutz
      - Tragen Sie einen Gesichtsschutz, um Ihr Gesicht vor hochgeschleuderten Objekten zu schützen.
    - \* Ohrschützer/Ohrstopfen
      - Tragen Sie Ohrschützer, Ohrstopfen oder einen anderen geeigneten Hörschutz, um Ihre Gehörorgane vor dem verursachten Lärm zu schützen.
    - \* Handschuhe
      - Tragen Sie Schutzhandschuhe.
    - \* Sicherheitsstiefel
      - Tragen Sie Sicherheitsstiefel mit rutschfester Sohle und Zehenschutzkappen, um Ihre Füße vor hochgeschleuderten Objekten zu schützen.
      - Betreiben Sie das Gerät nicht, wenn Sie barfuß sind oder offene Sandalen tragen.
      - Tragen Sie auch den Beinschutz.



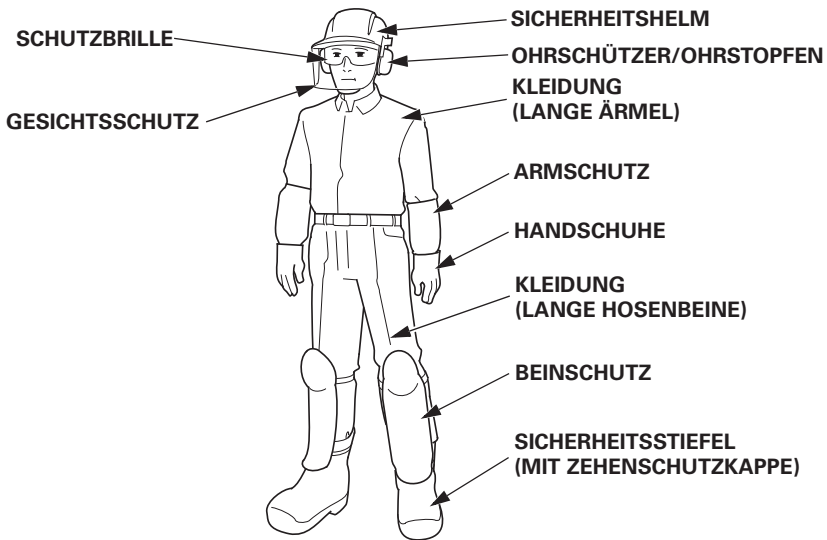
## ⚠️ WARNUNG

### Um einen sicheren Betrieb zu gewährleisten

#### Sicherheitshinweise für die Bedienungsperson

\* Staubmaske

Falls Sie an allergischer Rhinitis, z. B. Pollenkrankheit usw. leiden, empfehlen wir, dass Sie eine Staubmaske tragen. Derartige Masken sind in Apotheken erhältlich und vermindern die Menge des eingeatmeten Blütenstaubs.



- Unterziehen Sie den Antriebskopf vor jedem Gebrauch einer Sichtprüfung auf Schäden und lockere Befestigungsteile.
- Prüfen Sie vor jedem Gebrauch die Außen- und Unterseite des Motors auf Anzeichen von Öl- oder Benzinlecks.
- Wegen erhöhter Unfallgefahr den Antriebskopf nicht nachts, bei schlechtem Wetter oder schlechter Sicht betätigen.
- Während des Betriebs langsam gehen, niemals laufen.
- Den Antriebskopf nicht an einem steilen Hang betreiben, da Abrutschgefahr besteht.

---

**▲ WARNUNG****Um einen sicheren Betrieb zu gewährleisten****Sicherheitshinweise für die Bedienungsperson**

- Den Antriebskopf nicht betreiben, wenn die Aufkleber oder andere Teile fehlen.
- Montieren Sie keine falschen Teile und versuchen Sie nicht, irgendwelche Änderungen am Gerät vorzunehmen, da hierdurch Verletzungen und/oder Geräteschäden verursacht werden können. Verwenden Sie die für Ihr Modell und Ihre Anwendung vorgesehenen Teile.
- In den folgenden Fällen den Motor stoppen, indem der Motorschalter auf AUS gestellt wird:
  - Vor Durchführung irgendwelcher Arbeiten im Antriebskopfbereich.
  - Vor Beginn von Überprüfungs-, Reinigungs- oder Reparaturarbeiten am Antriebskopf.
  - Nach einem Stoß gegen einen harten Gegenstand. Den Antriebskopf auf Beschädigung überprüfen; im Falle eines Schadens muss dieser repariert werden, bevor das Gerät wieder angelassen und in Betrieb genommen wird.
  - Beim Auftreten von abnormalen Vibrationen. Machen Sie unverzüglich die Ursache der Vibrationen ausfindig und führen Sie die notwendige Reparatur durch.
  - Wenn der Antriebskopf unbeaufsichtigt gelassen wird.
  - Vor dem Nachtanken.
  - Wenn sich eine Person oder ein Tier nähert.
  - Der Motor muss sofort ausgeschaltet werden, wenn der Antriebskopf plötzlich abnormale Vibrationen entwickelt. Derartige Vibrationen können auf beschädigte Drehteile oder lockere Befestigungsteile hinweisen. Machen Sie die Ursache der Störung ausfindig und starten Sie den Motor nicht, bevor die Ursache behoben ist.
- Es liegt eine Störung des Antriebskopfs vor, wenn der Motor durch Zurückstellen des Gashebels im Leerlauf läuft, das Anbaugerät sich jedoch weiterhin dreht. In dem Fall muss eine Justierung der Leerlaufdrehzahl vorgenommen werden. Setzen Sie sich bitte mit Ihrem Honda-Händler in Verbindung.
- Alle Schrauben, Muttern und andere Befestigungsteile auf guten Sitz überprüfen und sich vergewissern, dass sich der Antriebskopf stets in einwandfreiem Betriebszustand befindet. Regelmäßige Wartung ist für die Sicherheit des Anwenders und Aufrechterhaltung eines hohen Leistungsniveaus von ausschlaggebender Bedeutung.
- Den Antriebskopf nicht mit abgenutzten oder beschädigten Teilen verwenden. Teile müssen ausgetauscht oder repariert werden. Ersetzen Sie abgenutzte oder beschädigte Teile durch Original-Honda-Teile. Durch den Gebrauch nicht geeigneter Teile kann die Maschine beschädigt und Ihre Sicherheit gefährdet werden.

---

**▲ WARNUNG****Um einen sicheren Betrieb zu gewährleisten****Sicherheitshinweise für die Bedienungsperson**

- Durch Vibration und Kälte verursachte Verletzungen:  
Manche Personen empfinden ein Prickeln oder einen brennenden Schmerz in den Fingern, und die Finger können auch ihre normale Farbe verlieren. Es wird angenommen, dass diese Symptome durch Vibrationen und/oder Kälte verursacht werden. Der spezielle Auslösepunkt für diese Symptome ist nicht bekannt, befolgen Sie jedoch die folgenden Anweisungen.
  - \* Betätigen Sie den Antriebskopf täglich nur für begrenzte Zeit. Eine tägliche Arbeit sollte aus Arbeiten mit dem Antriebskopf und Arbeiten ohne handgeführte Geräte bestehen, damit Sie die Zeit, in der Ihre Hände einer Gerätevibration ausgesetzt sind, begrenzen können.
  - \* Halten Sie sich warm, insbesondere Ihre Hände, Handgelenke und Arme.
  - \* Legen Sie öfters Kurzpausen ein, und machen Sie Armübungen, um für gute Blutzirkulation zu sorgen. Rauchen Sie während der Arbeit nicht.
  - \* Falls Sie sich unwohl fühlen, Ihre Finger zuerst rot werden und anschwellen, dann weißlich werden und Sie das Gefühl in den Fingern verlieren, sollten Sie sich unverzüglich in ärztliche Behandlung begeben.
- Durch wiederholte Arbeitsgänge verursachte Verletzungen:  
Ein wiederholtes Ausführen des gleichen Arbeitsgangs über längere Zeit kann zu Verletzungen führen. Befolgen Sie daher die nachstehenden Anweisungen:
  - \* Vermeiden Sie wiederholten Betrieb unter abgebogenen, gedehnten oder verdrehten Handgelenk-Positionen.
  - \* Machen Sie regelmäßig Pausen, um die Auswirkungen wiederholten Betriebs zu minimieren. Nehmen Sie sich genügend Zeit für wiederholte Arbeitsgänge. Gehen Sie beim Gebrauch des Antriebskopfs nicht eilig vor.
  - \* Wenn sich Ihre Finger, Hände, Handgelenke und/oder Arme steif anfühlen oder pochen, sollten Sie sich in ärztliche Behandlung begeben.

---

**▲ WARNUNG****Um einen sicheren Betrieb zu gewährleisten****Sicherheitshinweise in Bezug auf Kinder**

- Bei Verwendung des Antriebskopfs müssen Kinder, die sich in der Nähe befinden, im Haus bleiben und stets beaufsichtigt werden. Kleine Kinder bewegen sich schnell und sind besonders neugierig, wenn sie ein Gerät in Betrieb sehen.
- Gehen Sie niemals davon aus, dass Kinder dort bleiben, wo Sie sie zuletzt gesehen haben. Seien Sie wachsam und schalten Sie den Antriebskopf aus, wenn Kinder den Arbeitsbereich betreten.
- Kinder dürfen den Antriebskopf niemals betreiben, selbst dann nicht, wenn sie unter der Aufsicht Erwachsener sind.

**Verletzungsgefahr durch Verbrennungen**

Benzin ist außerordentlich feuergefährlich, und Benzindampf kann explodieren. Gehen Sie mit Benzin sehr vorsichtig um. Kraftstoff immer aus der Reichweite von Kindern halten.

- Kraftstoff darf nur in dafür vorgesehenen Behältern aufbewahrt werden.
- Nur im Freien auftanken; beim Auftanken und der Handhabung von Kraftstoff niemals rauchen.
- Den Kraftstoff vor Anlassen des Motors einfüllen. Niemals die Verschlusskappe des Kraftstofftanks abnehmen oder Benzin einfüllen, während der Motor läuft oder heiß ist.
- Wenn Benzin verschüttet worden ist, darf der Motor nicht an der betroffenen Stelle gestartet werden. Bringen Sie den Antriebskopf in sichere Entfernung von der Stelle des verschütteten Benzins und sorgen Sie dafür, dass das Benzin nicht entzündet werden kann, bis es verdampft ist und auch die Benzindämpfe entwichen sind.
- Ziehen Sie alle Kraftstofftank- und Behälterdeckel fest an.
- Zum Starten des Motors nach dem Nachtanken muss der Motor mindestens 3 m von der Nachtankstelle entfernt sein.
- Den Antriebskopf niemals aufgetankt in einem Raum abstellen, wo Kraftstoffdämpfe durch offenes Feuer, Funken oder Hochtemperatur-Heizkörper entzündet werden können.
- Den Motor abkühlen lassen, bevor das Gerät in einem geschlossenen Raum gelagert wird.
- Zur Reduzierung der Brandgefahr den Antriebskopf, insbesondere den Motor und den Dämpfer, sowie auch den Bereich, in dem das Benzin aufbewahrt wird, frei von Gras, Blättern oder übermäßig viel Fett halten. Behälter, die pflanzliches Material enthalten, nicht in einem oder in der Nähe eines Gebäudes aufbewahren.
- Wenn der Kraftstofftank entleert werden muss, ist dies im Freien und bei kaltem Motor vorzunehmen.

---

**▲ WARNUNG****Um einen sicheren Betrieb zu gewährleisten****Vergiftungsgefahr durch Kohlenmonoxid**

Die Auspuffgase enthalten giftiges Kohlenmonoxid, ein farb- und geruchloses Gas. Ein Einatmen kann zur Bewusstlosigkeit oder sogar zum Tode führen.

- Wenn der Motor in geschlossenen oder beengten Räumlichkeiten laufen muss, kann die Atemluft einen gefährlichen Anteil von Kohlenmonoxidgas enthalten. Um eine Ansammlung dieser Gase zu verhindern, ist unbedingt für ausreichende Belüftung zu sorgen.
- Den beschädigten Dämpfer auswechseln.
- Den Motor niemals in einem umschlossenen Bereich laufen lassen, da sich in diesem Fall lebensgefährliche Kohlenmonoxid-Gase ansammeln können.

## 2. LAGE DER SICHERHEITSaufKLEBER

Der Antriebskopf muss mit Vorsicht verwendet werden. Deshalb sind Aufkleber an der Maschine angebracht, um Sie bildlich auf die wichtigsten Vorsichtsmaßnahmen für den Gebrauch aufmerksam zu machen. Deren Bedeutung sind auf Seite 3 erläutert.

Diese Sicherheitsaufkleber sind als Teil des Antriebskopfs zu betrachten. Sollte sich einer lösen oder unlesbar werden, sollten Sie ihn von Ihrem Honda-Händler auswechseln lassen.

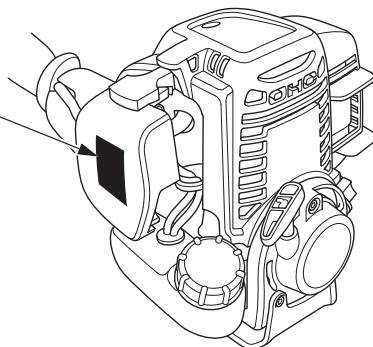
**Für europäisches Modell: UMC425E, UMC435E**

DIE BEDIENUNGSANLEITUNG LESEN

VORSICHTSHINWEIS KRAFTSTOFF



VORSICHTSHINWEIS ABGASE

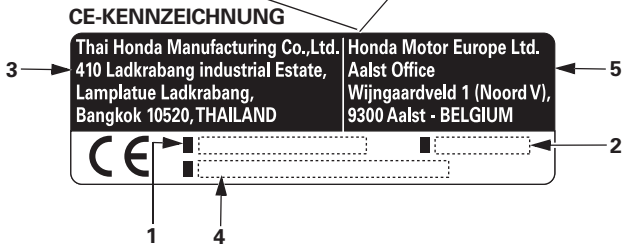
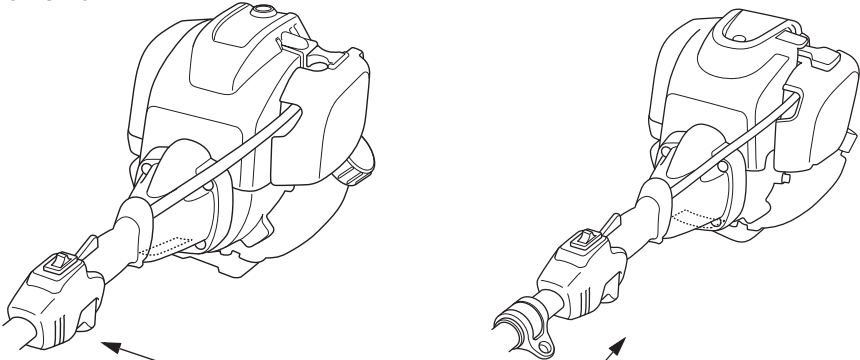


# CE-Kennzeichnungs- und Geräuschpegel-Hinweisschild-Positionen

Für europäisches Modell:

UMC425E

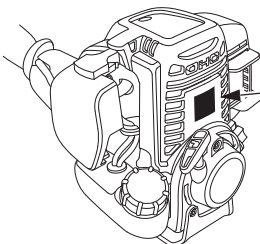
UMC435E



- 1. Modell und Typ
- 2. Baujahr
- 3. Hersteller und Adresse
- 4. Rahmenseriennummer
- 5. Name und Adresse des zugelassenen Händlers

\*Das Geräuschpegel-Hinweisschild ist an den Anbaugeräten angebracht.

Für australisches Modell:

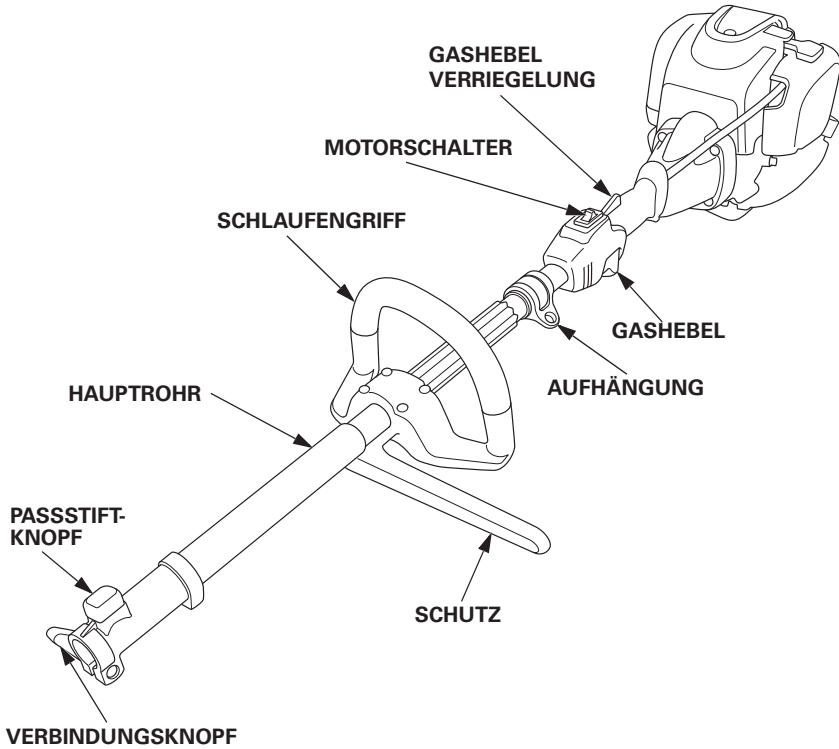


**GERÄUSCHPEGEL-  
HINWEISSCHILD**

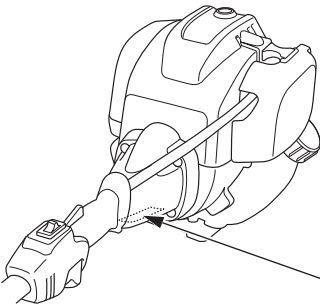


# 3. BEZEICHNUNG DER TEILE

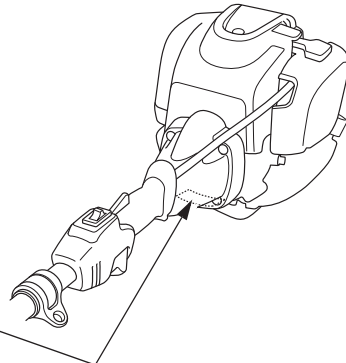
Beispiel: UMC435E



UMC425U

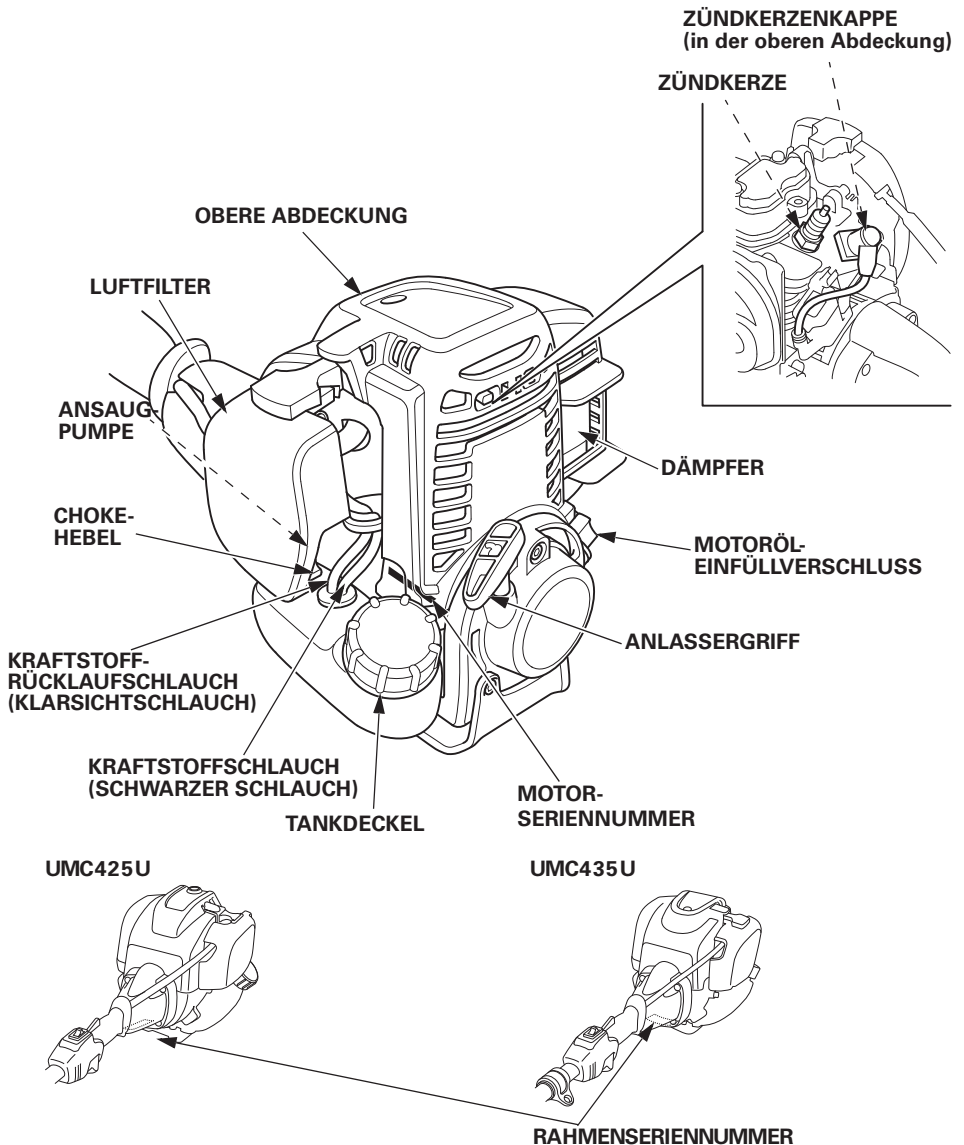


UMC435U



RAHMENSERIENNUMMER





Rahmenseriennummer (siehe Seite 12 und 13) und Motorseriennummer im dafür vorgesehenen Feld unten eintragen. Sie benötigen diese Nummern zur Bestellung von Teilen.

Rahmenseriennummer: \_\_\_\_\_

Motorseriennummer: \_\_\_\_\_

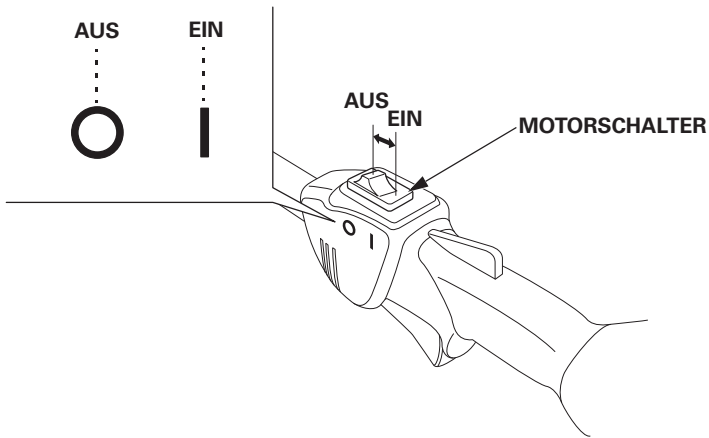
# 4. BEDIENUNGSELEMENTE

## 1. Motorschalter

Mit dem Motorschalter kann das Zündsystem aktiviert und deaktiviert werden.

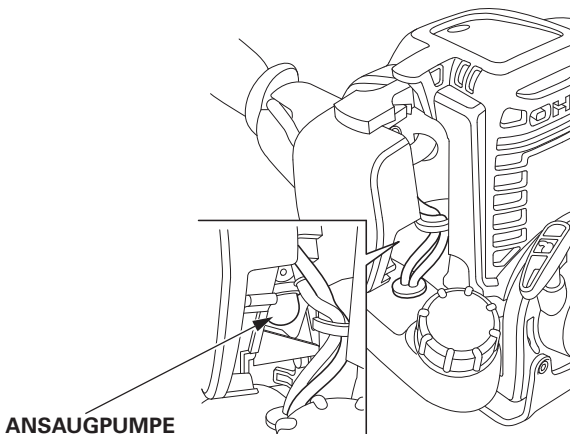
Der Motorschalter muss sich in der EIN-Stellung befinden, damit der Motor laufen kann.

Durch Stellen des Motorschalters auf AUS wird der Motor gestoppt.



## 2. Ansaugpumpe

Durch Betätigung der Ansaugpumpe wird Benzin vom Kraftstofftank zum Vergaser geführt. Dieser Vorgang ist zum Starten des Motors notwendig.

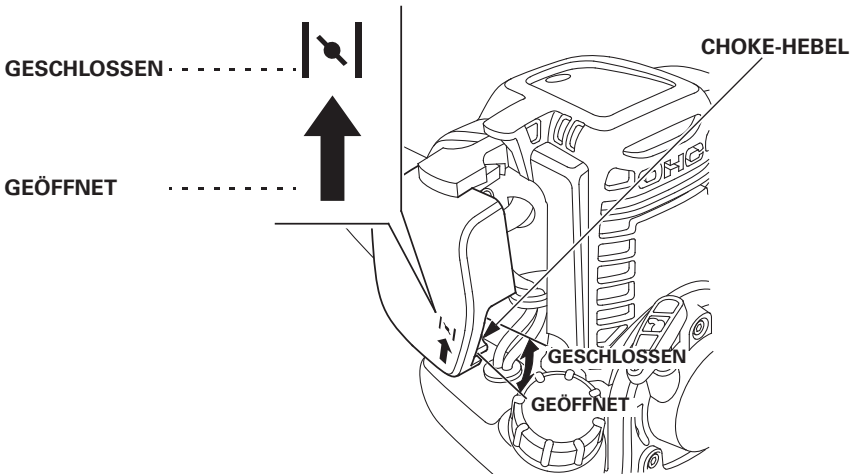


### 3. Choke-Hebel

Mit dem Choke-Hebel wird das Choke-Ventil im Vergaser geöffnet und geschlossen.

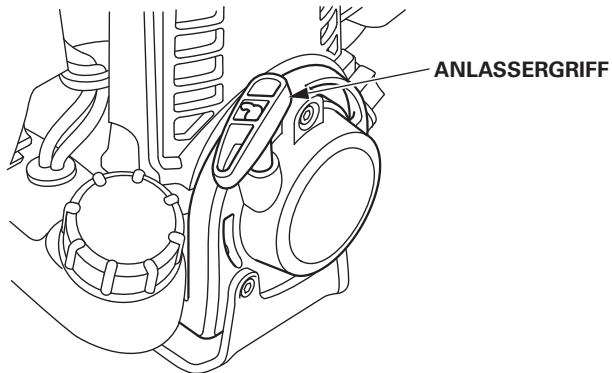
In der GESCHLOSSENEN Position wird das Kraftstoffgemisch zum Starten eines kalten Motors angereichert.

In der GEÖFFNETEN Position erhält man das richtige Kraftstoffgemisch zum Betrieb des Motors nach dem Starten und zum Neustarten eines warmen Motors.



### 4. Anlassergriff

Durch Ziehen am Anlassergriff wird der Startzug betätigt, und der Motor zum Starten durchgedreht.



---

## 5. Gashebel

Mit dem Gashebel wird die Motordrehzahl gesteuert.

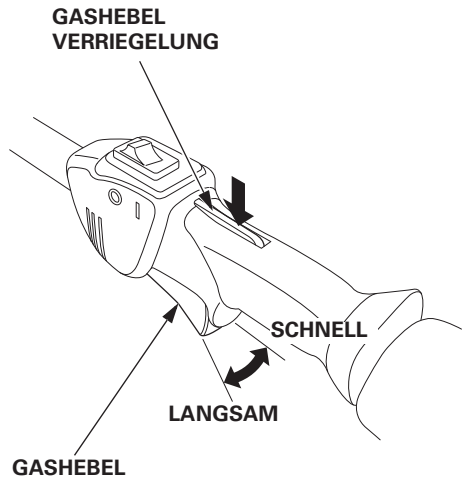
Durch Ziehen und Loslassen des unten gezeigten Gashebels läuft der Motor schneller oder langsamer.

### HINWEIS:

Die Gashebel-Verriegelung muss gedrückt werden, damit der Gashebel betätigt werden kann.

Durch langsames Ziehen des Gashebels wird die Motordrehzahl erhöht. Ziehen Sie stärker am Gashebel, um die Drehzahl zu beschleunigen.

Durch Loslassen des Gashebels nimmt die Motordrehzahl ab.



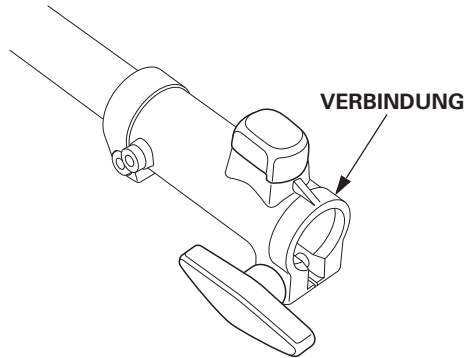
### **Gashebel-Verriegelung:**

Durch Drücken der Gashebel-Verriegelung wird der Gashebel funktionsfähig gemacht. Der Gashebel kann nicht gezogen werden, wenn die Gashebel-Verriegelung nicht zuvor gedrückt worden ist.

---

## 6. Verbindung

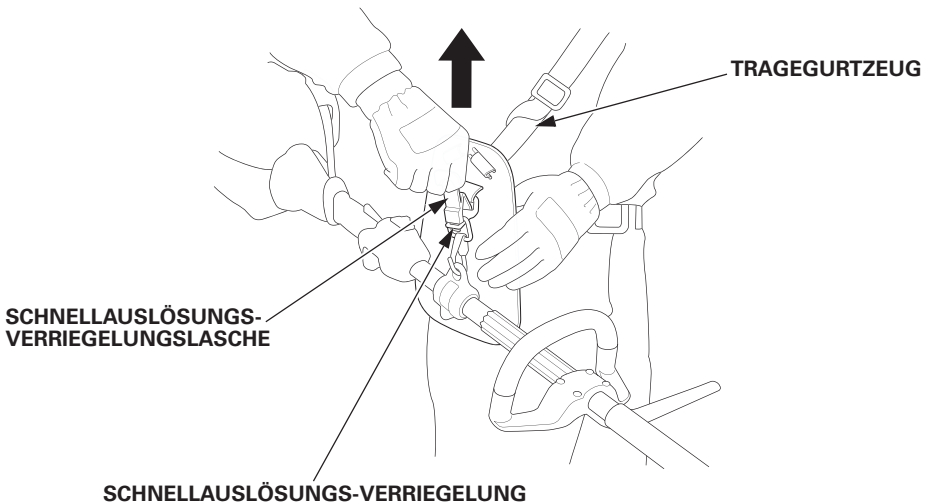
Die Verbindung dient dazu, ein von Honda zugelassenes Anbaugerät auf den Antriebskopf zu setzen. Angaben zur Montage und Demontage von Anbaugeräten finden Sie auf den Seiten 30-32.



## 7. Schnellauslösungs-Verriegelung

Mit Hilfe der Schnellauslösungs-Verriegelungslasche kann der Antriebskopf in einem Notfall schnell vom Körper getrennt werden.

Ziehen Sie die Schnellauslösungs-Verriegelungslasche nach oben, und der Antriebskopf löst sich vom Tragegurtzeug.



# 5. ÜBERPRÜFUNGEN VOR DER INBETRIEBNAHME

Für einen sicheren und effizienten Betrieb den Antriebskopf vor der Inbetriebnahme stets überprüfen:

## ⚠ WARNUNG

**Führen Sie an fester, ebener Stelle bei gestopptem Motor und auf AUS stehendem Motorschalter eine Vorbetriebskontrolle durch.**

### 1. Überprüfen des Motorölstands

#### VORSICHT:

**Der Motor kann schwer beschädigt werden, wenn er mit niedrigem Ölstand betrieben wird.**

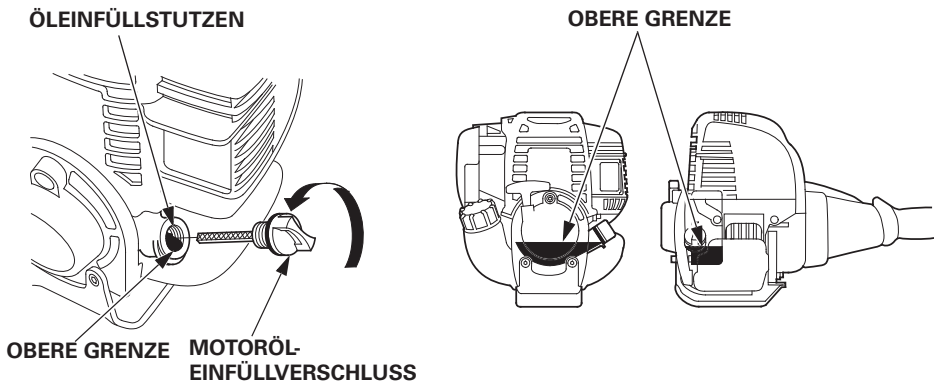
Den Motorölstand vor jedem Gebrauch oder bei einem fortlaufenden Betrieb alle 10 Stunden prüfen.

1. Den Antriebskopf auf einer ebenen Fläche ablegen, und den Öleinfüllverschluss entfernen.
2. Den Ölstand prüfen. Wenn er unter der oberen Grenze liegt, empfohlenes Öl bis zur oberen Grenze einfüllen.
3. Den Öleinfüllverschluss wieder sicher anbringen.

#### MOTORÖL-FÜLLMENGE

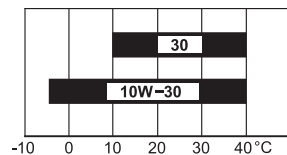
UMC425E, UMC425U: 0,08 L

UMC435E, UMC435U: 0,10 L



---

Verwenden Sie ein Motoröl für Viertaktmotoren, das die Anforderungen für API-Serviceklasse SE oder höher (bzw. gleichwertig) erfüllt oder überschreitet. Prüfen Sie stets das API-Service-Etikett am Ölbehälter, um sicherzugehen, dass es die Buchstaben SE oder die einer höheren Klasse (bzw. entsprechende) enthält.



UMGEBUNGSTEMPERATUREN

SAE 10W-30 empfiehlt sich für allgemeinen Gebrauch. Andere in der Tabelle angegebene Viskositäten können verwendet werden, wenn die durchschnittliche Temperatur in Ihrem Gebiet innerhalb des angezeigten Bereichs liegt.

**VORSICHT:**

**Durch den Gebrauch von nichtdetergentem Öl oder Zweitaktöl kann die Lebensdauer des Motors verkürzt werden.**

---

## 2. Überprüfen des Kraftstoffstands

Bleifreien Automobilkraftstoff mit einer Research-Oktanzahl von mindestens 91 (einer Pumpen-Oktanzahl von mindestens 86) verwenden.

Niemals überalteten oder verschmutzten Kraftstoff oder eine Öl-/Kraftstoff-Mischung verwenden. Unbedingt vermeiden, dass Öl oder Wasser in den Kraftstofftank eindringt.

### **▲ WARNUNG**

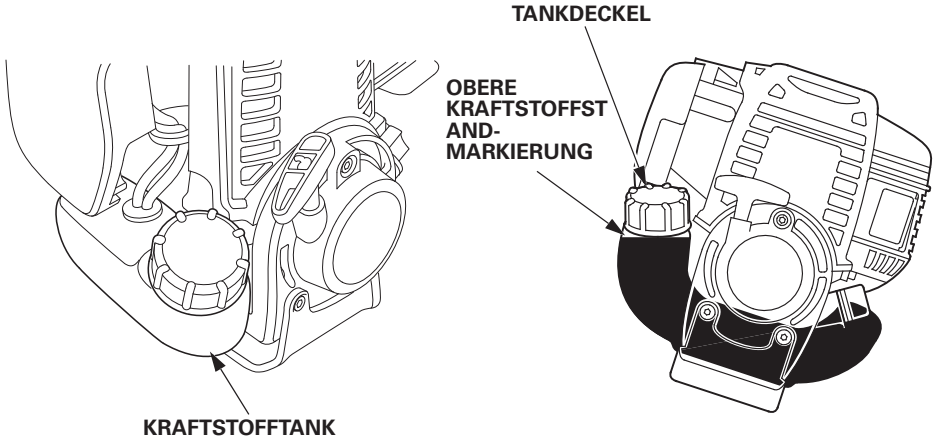
- **Benzin ist außerordentlich feuergefährlich und kann unter gewissen Bedingungen explodieren.**
- **Nur in gut belüfteter Umgebung bei abgestelltem Motor auftanken. Beim Auftanken und an Orten, an denen Kraftstoff gelagert wird, nicht rauchen und offene Flammen oder Funken fernhalten.**
- **Darauf achten, dass nicht zu viel Kraftstoff eingefüllt wird (es darf sich kein Kraftstoff im Einfüllstutzen befinden). Nach dem Tanken den Tankdeckel einwandfrei verschließen.**
- **Darauf achten, dass beim Auftanken kein Kraftstoff verschüttet wird. Verschütteter Kraftstoff oder Kraftstoffdämpfe können sich entzünden. Falls Kraftstoff verschüttet wurde, muss vor dem Anlassen des Motors sichergestellt werden, dass der Bereich trocken ist.**
- **Ein wiederholter oder längerer Kontakt mit der Haut sowie das Einatmen von Kraftstoffdämpfen ist zu vermeiden. AUSSERHALB DER REICHWEITE VON KINDERN HALTEN.**

### **VORSICHT:**

**Benzinersatzstoffe sind nicht empfehlenswert, da diese den Bauteilen der Kraftstoffanlage schaden können.**



- 
1. Den Kraftstoffstand an der Außenseite des Kraftstofftanks bei senkrecht stehendem Einfüllstutzen ablesen.
  2. Wenn der Kraftstoffstand niedrig ist, bis zum vorgeschriebenen Pegel nachtanken. Den Tankdeckel langsam öffnen, um Druckluft im Kraftstofftank allmählich abzulassen. Wenn der Tankdeckel schnell entfernt wird, kann Benzin herausspritzen.



---

## HINWEIS:

Benzin kann abhängig von verschiedenen Faktoren, wie beispielsweise Lichteinwirkung, Temperatur und Lagerzeit, sehr schnell unbrauchbar werden. In krassen Fällen kann Benzin schon innerhalb von 30 Tagen unbrauchbar werden.

Die Verwendung von verschmutztem Benzin kann schwere Motorschäden verursachen (blockierter Vergaser, festsitzende Ventile). Schäden, die auf verschmutztes Benzin zurückzuführen sind, werden nicht von der Garantie gedeckt.

Um Schäden dieser Art zu vermeiden, müssen die folgenden Anweisungen unbedingt beachtet werden:

- Nur das vorgeschriebene Benzin verwenden (siehe Seite 21).
- Frisches und sauberes Benzin verwenden.
- Benzin sollte in einem zugelassenen Kraftstoffbehälter aufbewahrt werden, um eine Qualitätsminderung hinauszuzögern.
- Wenn eine längere Außerbetriebsetzung (länger als 30 Tage) geplant ist, Kraftstofftank und Vergaser entleeren (siehe Seite 55 und 56).

## Alkoholhaltiges Benzin

Falls Sie sich für die Verwendung von alkoholhaltigem Benzin (Gasohol) entscheiden, vergewissern Sie sich, dass seine Oktanzahl mindestens so hoch ist wie bei dem von Honda empfohlenen Kraftstoff.

Es stehen zwei Arten von "Gasohol" zur Verfügung: eine Sorte enthält Ethanol, die andere Methanol.

Verwenden Sie kein Gasohol, das mehr als 10 % Ethanol enthält.

Ebenso darf kein Gasohol verwendet werden, das mehr als 5 % Methanol (Methyl oder Holzspiritus) enthält, aber nicht auch über gewisse Lösungs- und Korrosionsschutzmittel für Methanol verfügt.

## HINWEIS:

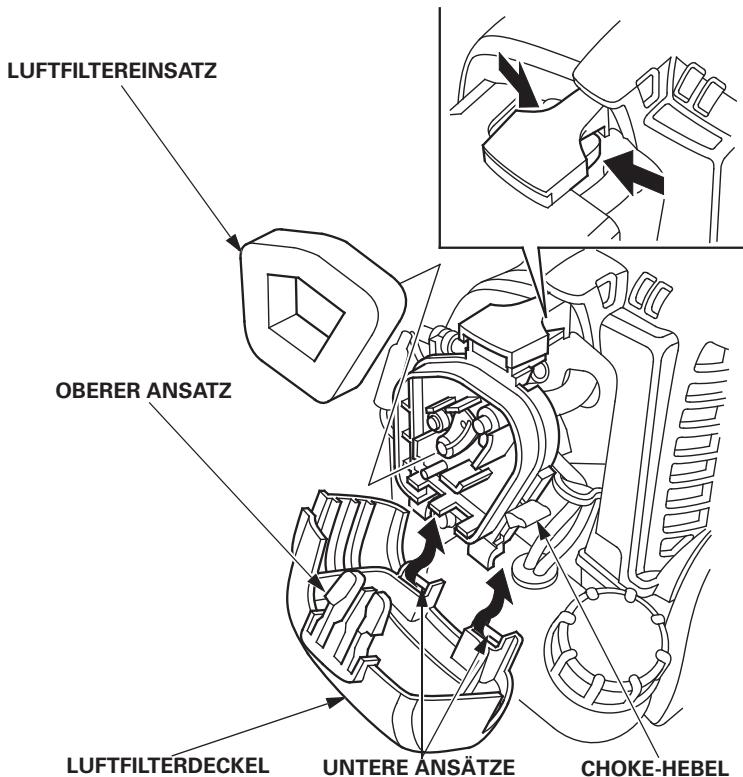
- Kraftstoffsystemschäden und Motorleistungsstörungen, die sich auf den Gebrauch von Benzin mit einem höheren Alkoholgehalt als empfohlen zurückführen lassen, sind von der Garantie nicht abgedeckt.
- Bevor Sie Benzin bei einer Ihnen unbekanntem Tankstelle kaufen, sollten Sie zunächst feststellen, ob das Benzin Alkohol enthält, und wenn ja, welchen Typ und zu welchem Prozentsatz. Sollten bei Verwendung eines bestimmten Benzins Betriebsstörungen auftreten, ist ein Kraftstoff zu verwenden, der weniger als den empfohlenen Alkoholgehalt enthält.

### 3. Luftfilter überprüfen

#### VORSICHT:

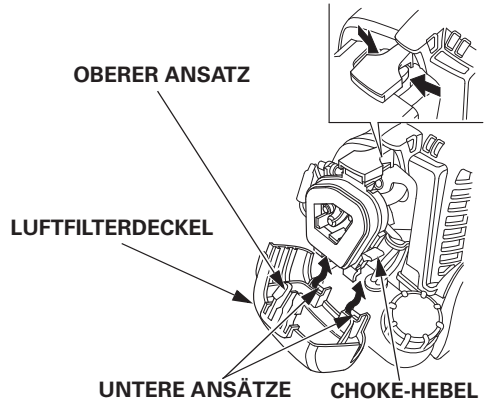
Den Motor niemals ohne den Luftfilter laufen lassen, da dies zu schnellem Motorverschleiß führt.

1. Den Choke-Hebel zur GESCHLOSSENEN Position (nach oben) schieben.
2. Den Luftfilterdeckel nach Aushaken des oberen Ansatzes an der Oberseite des Deckels und der beiden unteren Ansätze des Deckels abnehmen.
3. Den Luftfiltereinsatz auf Schmutz oder Blockierungen überprüfen. Wenn der Luftfiltereinsatz verschmutzt ist, muss er gereinigt werden (siehe Seite 45).
4. Den Luftfiltereinsatz wieder einsetzen.
5. Den Luftfilterdeckel wieder anbringen, indem zuerst die unteren Ansätze, dann der obere Ansatz eingesetzt werden.

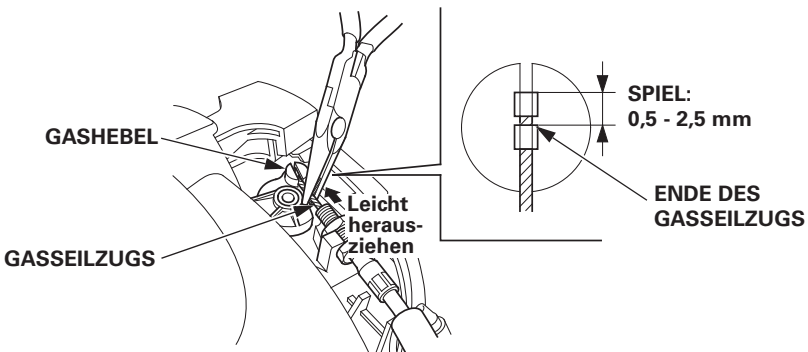


## 4. Überprüfung des Gasseilzugspiels

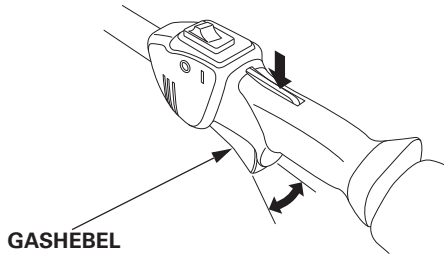
1. Den Choke-Hebel zur GESCHLOSSENEN Position (nach oben) schieben.
2. Den Luftfilterdeckel nach Aushaken des oberen Ansatzes an der Oberseite des Deckels und der beiden unteren Ansätze des Deckels abnehmen.



3. Den Gasseilzug leicht herausziehen und die erweiterte Länge des Gasseilzugs am Ende des Seils prüfen. Sie sollte 0,5 – 2,5 mm betragen. (Darauf achten, den Gasseilzug nicht zu beschädigen.) Wenn das Messergebnis den Sollwert überschreitet, entsprechend einstellen (siehe Seite 49).



- 
4. Das Gassystem einige Male betätigen und sicherstellen, dass das Spiel vorschriftsgemäß ist (d. h., dass sich der Gashebel nicht bewegt, während der Gasauslöser betätigt wird).
- Sicherstellen, dass sich der Gashebel reibungslos betätigen lässt und stets zur Leerlaufposition zurückkehrt.



Falls irgendeine Ungewöhnlichkeit vorliegt, muss das Gassystem gewartet werden. Setzen Sie sich bitte mit Ihrem Honda-Händler in Verbindung.

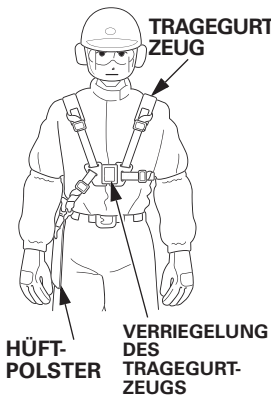
## 5. Einstellung des Tragegurtzeugs

### ⚠️ WARNUNG

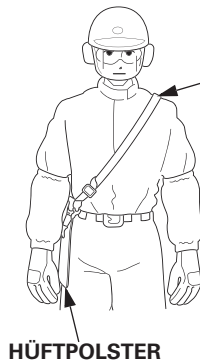
Sicherstellen, dass vor Gebrauch des Antriebskopfs das Tragegurtzeug angelegt wurde. Ansonsten kann es aufgrund einer Instabilität zu Verletzungen kommen.

1. Das Tragegurtzeug so anbringen, dass das Hüftpolster sich auf Ihrer rechten Seite befindet.
  - Sicherstellen, dass das Gurtzeug nicht verdreht ist.
  - Wenn das Tragegurtzeug für beide Schultern vorgesehen ist, die vorne an Ihrem Körper befindliche Verriegelung des Tragegurtzeugs fest zudrücken, bis ein Klickgeräusch zu hören ist. Zum Öffnen der Verriegelung das Gurtzeug nach rechts und nach links ziehen, während die Verriegelung gedrückt wird.

Für beide Schultern  
(UMC435E · UMC435U)



Für eine Schulter  
(UMC425E)

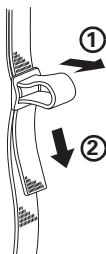


Für eine Schulter  
(UMC425U)



2. Die Länge des Tragegurtzeugs wie in den Abbildungen unten gezeigt verstellen.

Verkürzen



Verlängern



---

### 3. Das Ende des Tragegurtzeugs festziehen und sichern.

(UMC435E · UMC435U)



**Das Ende des Gurtzeugs festziehen und sichern.  
(Ein Punkt befindet sich an Ihrem Rücken.)**

(UMC425E)



(UMC425U)

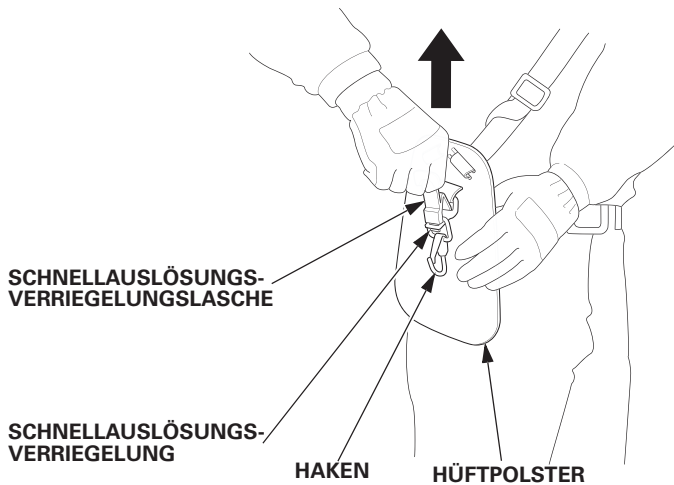


**Das Ende des Gurtzeugs festziehen und sichern.**

---

## 6. Überprüfung der Schnellauslösungs-Verriegelung

1. Den Tragegurt anlegen.
2. Sicherstellen, dass die Verriegelung gelöst wird, sobald die Schnellauslösungs-Verriegelungslasche nach oben gezogen wird, während das Hüftpolster mit der linken Hand festgehalten wird.
3. Die Verriegelungszunge in den Schlitz der Schnellauslösungs-Verriegelung einschieben, um den Antriebskopf wieder an das Tragegurtzeug anzubringen.



Wenn die Verriegelung nicht freigegeben wird, lassen Sie die Vorrichtung von Ihrem Händler überprüfen und reparieren.



## 7. Montage/Demontage von Anbaugeräten

### Den Verbindungsbereich prüfen:

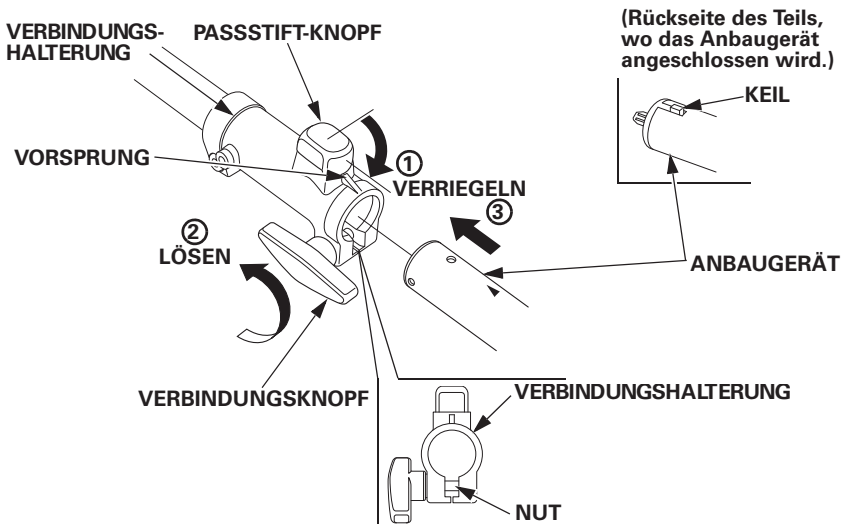
1. Prüfen, ob der Passtift-Knopf sich leichtgängig bewegen lässt.
2. Prüfen, ob der Verbindungsknopf sich leichtgängig anziehen und lösen lässt und dass keine Schäden vorliegen.
3. Sicherstellen, dass sich keine Fremdkörper in der Nut und im Innern der Verbindungshalterung befinden.

### Montage:

#### ⚠ WARNUNG

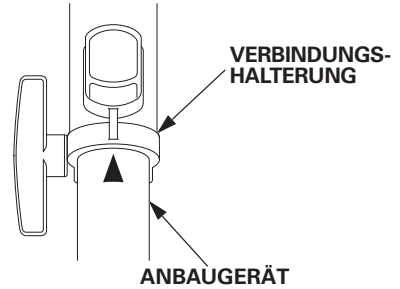
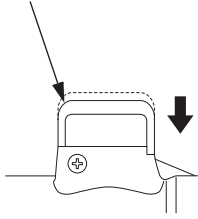
Der Motor darf erst gestartet werden, nachdem das Anbaugerät sicher am Antriebskopf angebracht wurde. Ansonsten kann es zu Verletzungen kommen, wie z. B. wenn Ihre Finger die Verbindungsöffnung berühren.

1. Den Passtift-Knopf in verriegelte Stellung bringen und den Verbindungsknopf lösen.
2. Die "▲"-Markierung am Anbaugerät mit dem Verbindungsvorsprung ausrichten. Alternativ den Keil des Anbaugeräts mit der Verbindungsnut ausrichten.



3. Das Anbaugerät so weit einschieben, bis der Passtift-Knopf klickt. Prüfen, dass die " ▲ " -Markierung am Anbaugerät sich am Verbindungshalterungsende befindet..

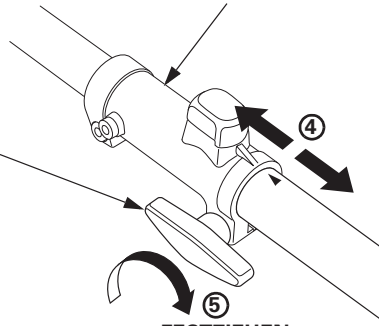
PASSTIFT-KNOPF



4. Anbaugerät und Verbindungshalterung in Pfeilrichtung ziehen, um zu prüfen, dass das Anbaugerät sich nicht löst.  
5. Den Verbindungsknopf festziehen.

VERBINDUNGSHALTERUNG

VERBINDUNGSKNOPF



ANBAUGERÄT

FESTZIEHEN

**VORSICHT:**

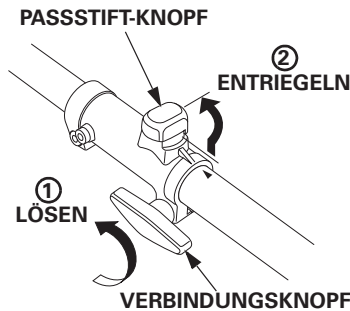
Wenn der Antriebskopf so positioniert wird, dass der Startzug nach unten zeigt, muss darauf geachtet werden, dass der Startzug nirgends angestoßen wird. Ansonsten kann der Startzug oder der Motor durch den Aufschlag beschädigt werden.

## Demontage:

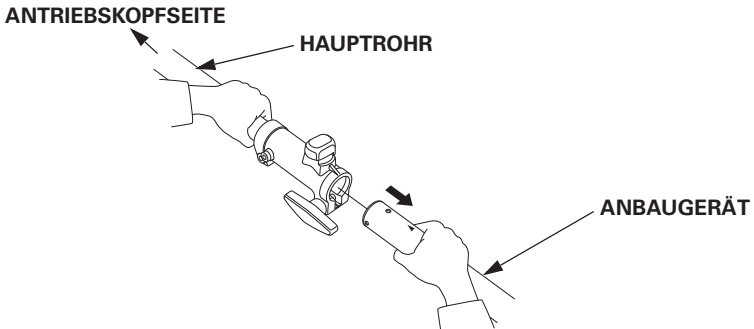
### **⚠ WARNUNG**

Sicherstellen, dass der Motorschalter in Aus-Stellung gebracht wird. Prüfen, dass Motor und Anbaugerät vor der Demontage des Anbaugeräts zum vollständigen Stillstand gekommen sind. Wenn das Anbaugerät sich noch bewegt, kann dies zu Verletzungen oder Geräteschäden führen.

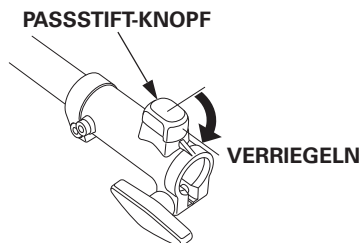
1. Den Verbindungsknopf lösen.
2. Den Pasmstift-Knopf nach oben in die entriegelte Stellung ziehen.



3. Das Hauptrohr an der Antriebskopfseite halten und das Anbaugerät abnehmen.



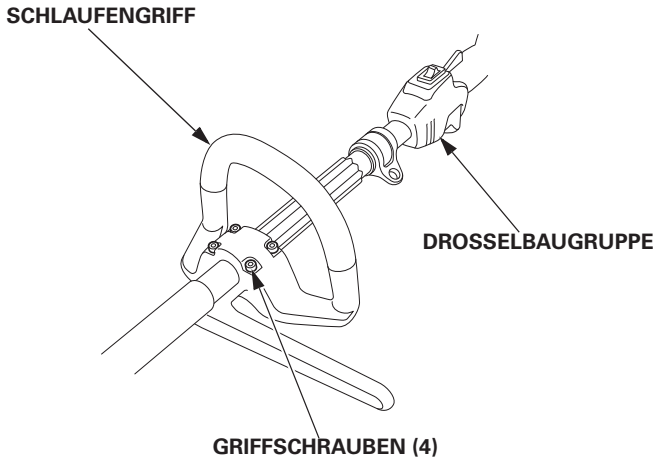
4. Den Pasmstift-Knopf in verriegelte Stellung bringen.



---

## 8. Überprüfung aller Schrauben und Muttern

1. Alle Schrauben und Muttern einzeln auf festen Sitz prüfen. Diese bei Bedarf nachziehen.
2. Die Griffschrauben auf Lockerheit überprüfen und erforderlichenfalls sicher anziehen.



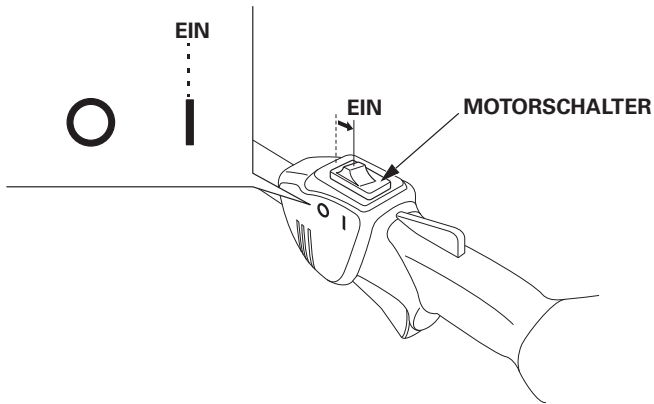
## 6. ANLASSEN DES MOTORS

---

### ⚠ WARNUNG

- Auspuffgase enthalten giftiges Kohlenmonoxid. Den Motor niemals in einem geschlossenen Raum laufen lassen. Darauf achten, für ausreichende Belüftung zu sorgen.
- Starten Sie den Motor nicht in der Nähe von Personen, Tieren und umgebenden Gebäuden. Überzeugen Sie sich, dass keine Hindernisse im Arbeitsbereich sind.

1. Den Motorschalter in EIN-Stellung bringen.

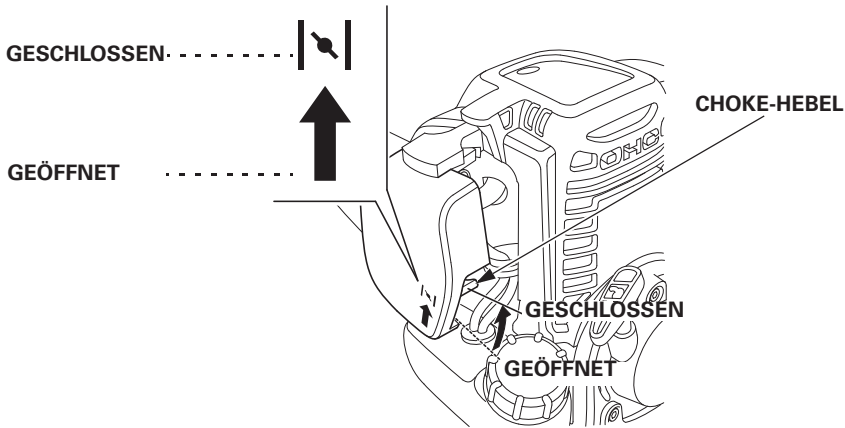


2. Zum Starten eines kalten Motors den Choke-Hebel zur GESCHLOSSENEN Position schieben.

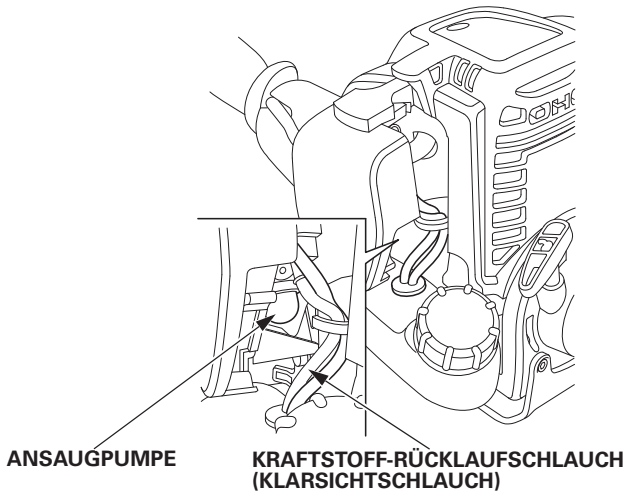
Zum erneuten Starten eines warmen Motors den Choke-Hebel in der GEÖFFNETEN Position belassen.

**HINWEIS:**

Bei warmem Motor oder hoher Lufttemperatur den Choke nicht einsetzen.



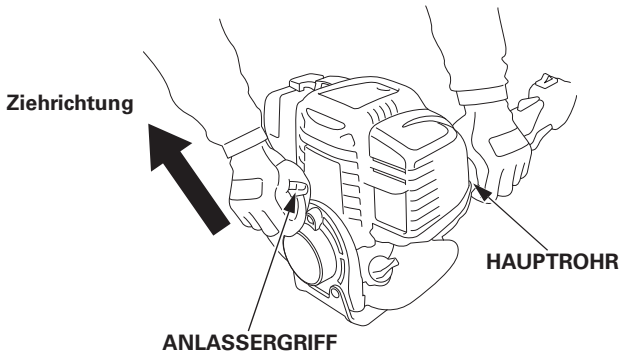
3. Die Ansaugpumpe einige Male drücken, bis ein Kraftstoffstrom im Rücklaufschlauch (Klarsichtschlauch) zu sehen ist.



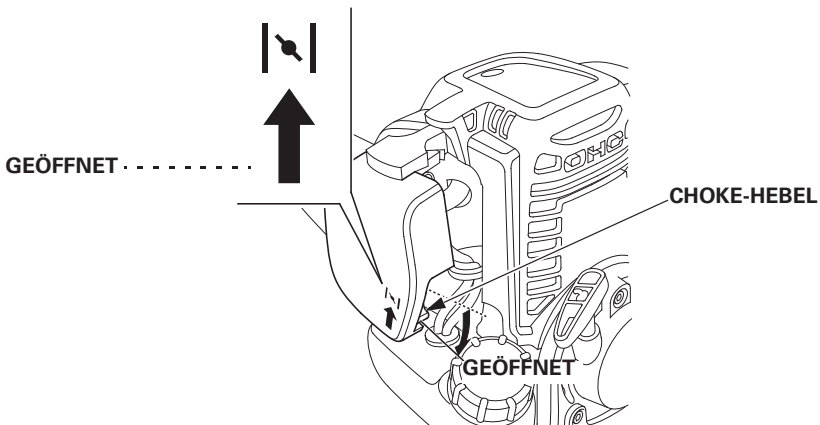
4. Das Hauptrohr halten und den Anlassergriff leicht ziehen, bis Widerstand zu spüren ist, dann den Griff kräftig in Pfeilrichtung durchziehen, wie unten gezeigt. Den Anlassergriff langsam zurückgleiten lassen.

**VORSICHT:**

- **Den Anlassergriff nicht zurückschnellen lassen.**  
Er muss langsam zurückgeführt werden, um eine Beschädigung des Anlassers zu verhindern.
- **Durch Ziehen des Anlassergriffs bei laufendem Motor kann ein Schaden verursacht werden.**



5. Wenn der Choke-Hebel zum Starten des Motors zur GESCHLOSSENEN Position geschoben wurde, muss er während der Warmlaufphase allmählich zur GEÖFFNETEN Position zurückbewegt werden.



---

## **Vergasermodifikation für Betrieb in großer Höhenlage.**

In großen Höhenlagen ist das Standard-Kraftstoff-/Luftgemisch des Vergasers zu fett. Die Leistung nimmt ab, der Kraftstoffverbrauch hingegen zu. Ein sehr fettes Gemisch führt auch zu einer Verschmutzung der Zündkerzen und zu Startproblemen. Längerzeitiger Betrieb in einer Höhenlage, die nicht in den Bereich fällt, für den dieser Motor als geeignet befunden worden ist, kann erhöhte Emissionswerte zur Folge haben.

Bei Betrieb in großer Höhenlage kann die Motorleistung durch entsprechende Vergasermodifikationen verbessert werden. Wenn der Antriebskopfs stets in Höhenlagen von über 1.500 Metern betrieben wird, lassen Sie diese Vergasermodifikationen von Ihrem Händler vornehmen. Wenn der Motor in großen Höhenlagen mit den entsprechenden Vergasermodifikationen betrieben wird, erfüllt er während seiner gesamten Lebensdauer jede Emissionsnorm.

Selbst mit der empfohlenen Vergasermodifikation nimmt die Motorleistung pro 300 Meter Höhenzunahme um etwa 3,5 % ab. Wenn keine Vergasereinstellung durchgeführt wird, ist der Leistungsverlust noch gravierender.

### **VORSICHT:**

**Wenn der Vergaser für Betrieb in großer Höhenlage modifiziert worden ist, wird bei Betrieb in niedrigeren Lagen ein zu mageres Gemisch aufbereitet. Betrieb mit einem modifizierten Vergaser in kleineren Höhenlagen als 1.500 Meter kann zu Motorheißlauf und schweren Motorschäden führen. Für Gebrauch in niedrigeren Höhen lassen Sie den Vergaser von Ihrem Händler auf die ursprünglichen Werksspezifikationen zurückstellen.**

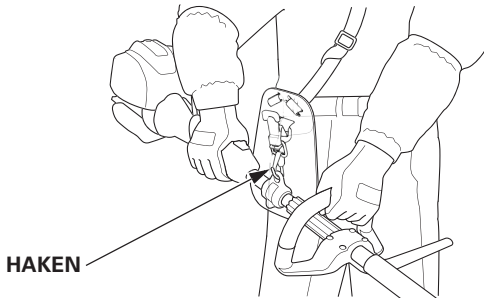


## 7. BETRIEB

---

Bevor der Antriebskopf in Betrieb genommen wird, die Sicherheitshinweise auf den Seiten 3 bis 10 sorgfältig durchlesen. Wenn ungewöhnliche Geräusche, Gerüche, Vibrationen oder andere Anzeichen einer Störung wahrgenommen werden, den Motor sofort abstellen und Ihren Honda-Händler zu Rate ziehen.

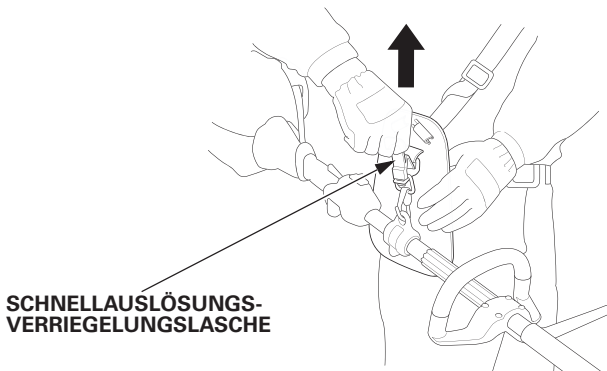
Den Antriebskopf bei leer laufendem Motor am Tragegurtzeug einhaken und in der richtigen Position halten.



Halten Sie den Antriebskopf sicher mit beiden Händen fest, wobei Ihre Finger und Daumen die Griffe wie gezeigt umkreisen sollten. Richtiges Halten des Antriebskopfs gewährleistet gute Kontrolle unter allen Bedingungen.

Lesen und befolgen Sie hinsichtlich des ordnungsgemäßen Gebrauchs von Anbaugeräten die in der Bedienungsanleitung für das jeweilige Gerät enthaltenen Anweisungen.

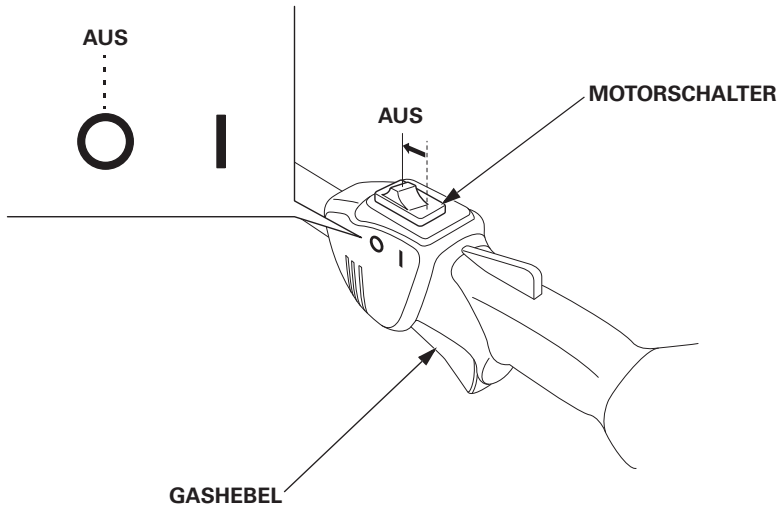
In einem Notfall ziehen Sie die Schnellauslösungs-Verriegelungslasche hoch, um den Antriebskopf vom Tragegurtzeug zu lösen.



## 8. ABSTELLEN DES MOTORS

---

1. Den Gashebel loslassen.
2. Den Motorschalter in AUS-Stellung bringen.



## 9. WARTUNG

---

### **▲ WARNUNG**

- **Bevor irgendwelche Wartungsarbeiten durchgeführt werden, ist der Antriebskopf auf eine ebene Fläche zu stellen, der Motor zu stoppen und der Motorschalter auf AUS zu stellen, damit der Motor nicht versehentlich gestartet werden kann.**
- **Der Antriebskopf sollte von einem autorisierten Honda-Händler gewartet werden, sofern der Besitzer nicht über die richtigen Werkzeuge, Wartungsdaten und technischen Qualifikationen verfügt.**

### **VORSICHT:**

**Zur Wartung und Reparatur dürfen nur Original-Honda-Teile oder solche gleichwertiger Qualität und Beschaffenheit verwendet werden. Durch den Gebrauch von ungeeigneten Austauschteilen kann der Antriebskopf beschädigt werden.**

Inspektion und Einstellung der Honda-Geräte UMC425E, UMC435E, UMC425U und UMC435U in regelmäßigen Abständen sind Voraussetzung für eine andauernd hohe Leistung. Regelmäßige Wartung trägt auch zu einer langen Lebensdauer bei. Die erforderlichen Wartungsintervalle und die Art der durchzuführenden Wartungsarbeiten werden in der Tabelle auf der folgenden Seite 41 beschrieben.

## Wartungsplan

REGELMÄSSIGE WARTUNGSPERIODE (1) Die Arbeiten zum angegebenen Monats- oder Betriebsstunden- intervall ausführen, je nachdem, welches zuerst eintrifft.	Bei jeder Verwen- dung	Nach dem ersten Monat oder 10 Betriebs- stunden	Alle 3 Monate oder 25 Betriebs- stunden	Alle 6 Monate oder 50 Betriebs- stunden	Alle Jahr oder 100 Betriebs- stunden	Alle 2 Jahre oder 300 Betriebs- stunden	Siehe Seite
GEGENSTAND							
Motoröl Füllstand prüfen	o						19
Wechseln		o		o			43
Luftfilter Überprüfen	o						24
Reinigen			o (3)				45, 46
Zündkerze Überprüfen - Einstellen					o		47
Austauschen						o	
Gasseilzug Überprüfen	o						25, 49
Gashebel Überprüfen							26
Motorkühlrippen Überprüfen - Reinigen				o			51
Schnellauslöser am Schultergurt Überprüfen	o						29
Passstift-Knopf Überprüfen	o						30
Verbindungs-knopf Überprüfen	o						30
Bereich um die Überprüfen Verbindungshalterung	o						30
Muttern, Schrauben, Befestigungselemente Überprüfen (Bei Bedarf nachziehen)	o						33
Kraftstofftank Reinigen					o		52
Kraftstofffilter Reinigen					o		52
Kupplungsbacken Überprüfen				o (2)			-
Leerlaufdrehzahl Überprüfen - Einstellen					o (2)		-
Ventilspiel Überprüfen - Einstellen					o (2)		-
Synchronriemen Überprüfen	Nach jeweils 300 Betriebsstunden (2)(4)						-
Verbrennungskammer Reinigen	Alle 300 Betriebsstunden (2)						-
Kraftstoffschläuche Überprüfen	Alle 2 Jahre (Bei Bedarf austauschen.) (2)						-
Ölleitung Überprüfen	Alle 2 Jahre (Bei Bedarf austauschen.) (2)						-

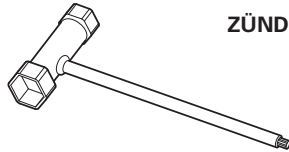
### HINWEIS:

- (1) Bei kommerzieller Nutzung die Betriebsstunden festhalten, um die ordnungsgemäßen Wartungsintervalle zu bestimmen.
- (2) Diese Wartungsarbeiten sollten von Ihrem Wartungshändler ausgeführt werden, es sei denn, Sie verfügen über die richtigen Werkzeuge und technischen Qualifikationen. Beschreibungen der einzelnen Wartungsverfahren finden Sie im Honda-Werkstatt-Handbuch.
- (3) Bei Einsatz in staubigen Gebieten häufiger warten.
- (4) Prüfen, dass der Riemen keine Risse oder einen ungewöhnlichen Verschleiß aufweist. In dem Fall den Riemen austauschen.

---

## Werkzeugsatz

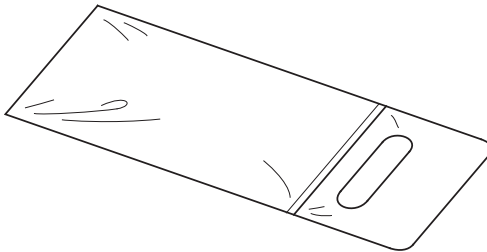
Die mitgelieferten Werkzeuge sind zum Ausführen bestimmter regelmäßiger Wartungsarbeiten, einfacher Einstellungen und Reparaturen erforderlich.



**ZÜNDKERZENSCHLÜSSEL**



**4 mm-SECHSKANTSCHLÜSSEL**



**WERKZEUGTASCHE  
(nur UMC425U, UMC435U)**

## 1. Motorölwechsel

### VORSICHT:

**Motor, Dämpfer und Motoröl werden während des Motorbetriebs sehr heiß und kühlen nach dem Abstellen des Motors nicht so schnell ab. Um Verbrennungen vorzubeugen, mit dem Ölwechsel warten, bis sich Teile abgekühlt haben.**

### HINWEIS:

Das Öl ablassen, während der Motor noch warm ist, um ein schnelles und vollständiges Ablassen zu gewährleisten.

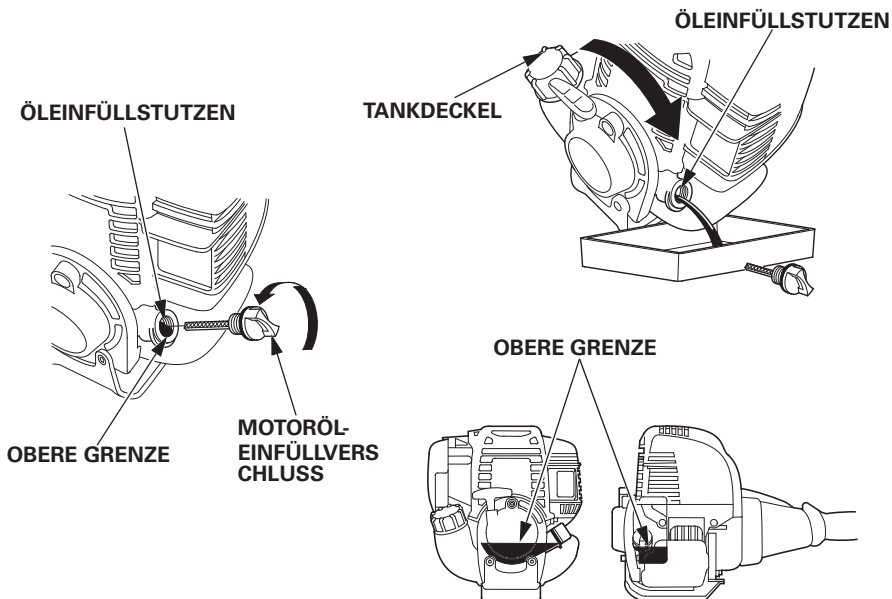
1. Überprüfen, ob der Tankdeckel richtig angezogen ist.
2. Den Öleinfüllverschluss entfernen, und das Öl in einen Ölbehälter entleeren, indem der Motor zum Öleinfüllstutzen hin geneigt wird.
3. Das empfohlene Öl nachfüllen (siehe Seite 20) und den Ölstand kontrollieren (siehe Seite 19).
4. Den Öleinfüllverschluss wieder sicher anbringen.

### MOTORÖL-FÜLLMENGE

UMC425E, UMC425U: 0.08 L

UMC435E, UMC435U: 0.10 L

Waschen Sie nach dem Umgang mit Altöl Ihre Hände mit Wasser und Seife.



---

#### HINWEIS:

Bitte beachten Sie bei der Beseitigung des Altöls die entsprechenden Umweltschutzbestimmungen. Wir empfehlen, das Öl in einem verschlossenen Behälter zu einer Altöl-Sammelstelle zu bringen. Das gebrauchte Motoröl nicht in den Abfall werfen oder auf den Boden gießen.

## 2. Reinigen des Luftfilters

Ein verschmutzter Luftfilter reduziert die zum Vergaser gelangende Luftmenge. Um eine Funktionsstörung des Vergasers zu vermeiden, muss der Luftfilter in regelmäßigen Abständen überprüft werden. Bei Verwendung des Antriebskopfs in sehr staubiger Umgebung müssen diese Wartungsarbeiten in kürzeren Abständen ausgeführt werden.

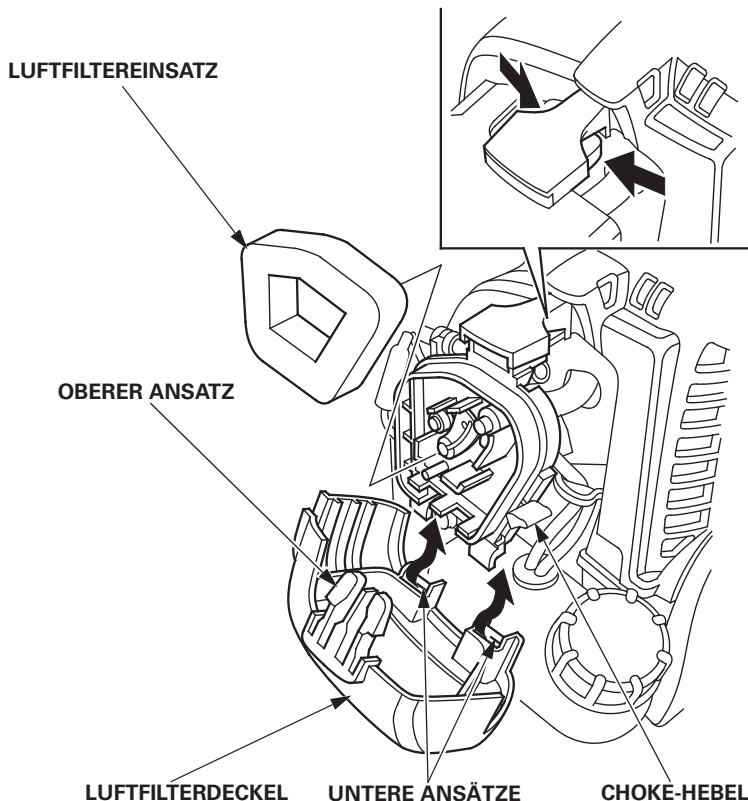
### ▲ WARNUNG

**Niemals Benzin oder ein hochentzündliches Lösungsmittel zur Reinigung des Luftfiltereinsatzes verwenden. Bei Nichtbeachtung besteht die Gefahr eines Feuers oder einer Explosion.**

### VORSICHT:

**Den Motor niemals ohne Luftfilter laufen lassen. Dies führt zu schnellem Motorverschleiß.**

1. Den Choke-Hebel zur GESCHLOSSENEN Position (nach oben) schieben.
2. Den Luftfilterdeckel nach Aushaken des oberen Ansatzes an der Oberseite des Deckels und der beiden unteren Ansätze des Deckels abnehmen.





3. Den Filtereinsatz in lauwarmem Seifenwasser reinigen, ausspülen und gründlich trocknen lassen. Alternativ kann der Filtereinsatz auch in schwer entzündlichem Lösungsmittel gereinigt und anschließend getrocknet werden. Den Einsatz in sauberem Motoröl einweichen und das überschüssige Öl herausdrücken. Nicht zu viel Öl im Filtereinsatz belassen, da dies zu Rauchbildung beim Anlassen des Motors führt.

Reinigen

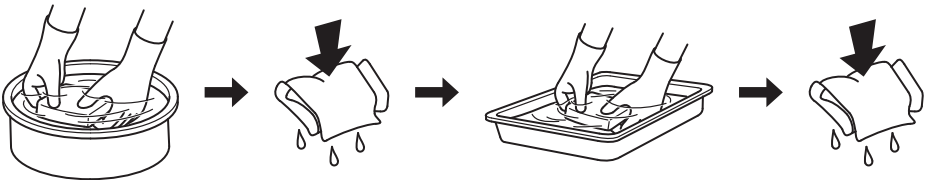
Ausdrücken und trocknen lassen

In Öl einweichen

Ausdrücken

Nicht auswringen.

Nicht auswringen.



- 4. Den Luftfiltereinsatz wieder einsetzen.
- 5. Den Luftfilterdeckel wieder anbringen, indem zuerst die unteren Ansätze, dann der obere Ansatz eingesetzt werden.

### 3. Wartung der Zündkerze

**Empfohlene Zündkerze:** CMR5H (NGK)

Um einen einwandfreien Motorlauf zu gewährleisten, muss der Elektrodenabstand stimmen und die Zündkerze frei von Ablagerungen sein.

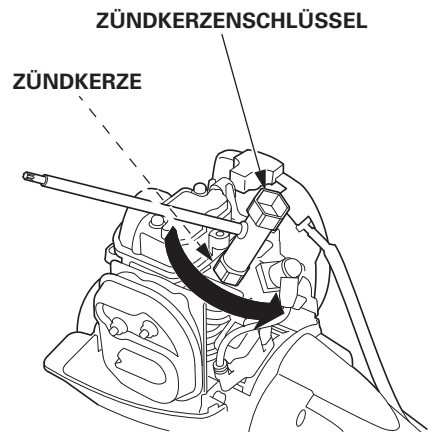
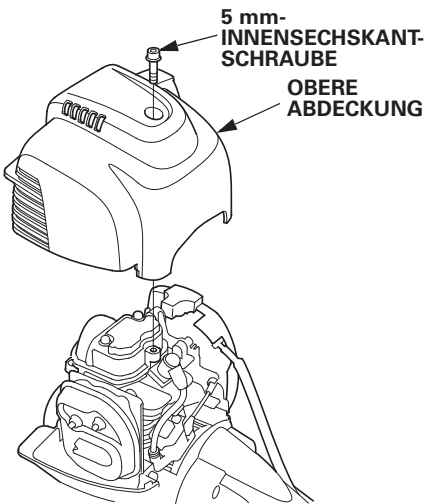
**▲ WARNUNG**

**Wenn der Motor kurz vorher in Betrieb war, ist der Dämpfer sehr heiß. Den Dämpfer daher nicht berühren.**

**VORSICHT:**

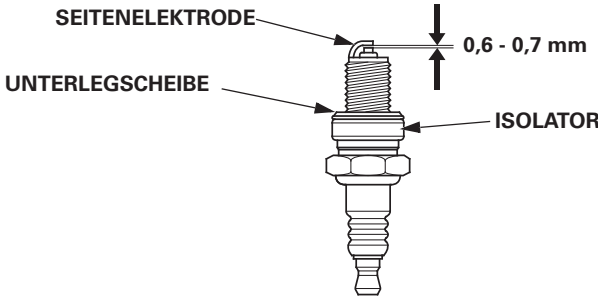
**Verwenden Sie niemals eine Zündkerze mit falschem Wärmewert.**

1. Die 5 mm-Innensechskantschraube mit einem Sechskantschlüssel lösen, dann die obere Abdeckung abnehmen.
2. Die Zündkerzenkappe abnehmen, und die Zündkerze mit einem Zündkerzenschlüssel der richtigen Größe herausschrauben.

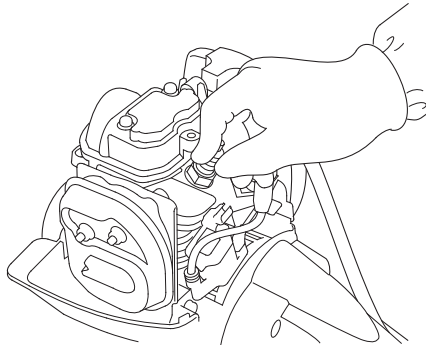


3. Die Zündkerze visuell überprüfen. Die Zündkerze wegwerfen, wenn eine Abnutzung festzustellen bzw. der Isolator rissig oder abgesplittert ist. Die Zündkerze mit einer Drahtbürste reinigen, wenn diese wiederverwendet werden soll.

- 
4. Den Elektrodenabstand mit Hilfe einer Fühlerlehre messen.  
Die Einstellung kann bei Bedarf durch vorsichtiges Biegen der Seitenelektrode vorgenommen werden.  
Der Abstand sollte in folgendem Bereich liegen: 0,6 – 0,7 mm



5. Sicherstellen, dass sich die Zündkerzenscheibe in gutem Zustand befindet, und die Zündkerze von Hand eindrehen, um ein Verdrehen des Gewindes zu vermeiden.  
6. Nach dem Aufsitzen der Zündkerze mit einem Zündkerzenschlüssel nachziehen, um die Scheibe zusammenzudrücken.



**HINWEIS:**

Wenn eine neue Zündkerze eingedreht worden ist, muss diese nach dem Aufsitzen noch um eine weitere 1/2 Drehung festgezogen werden, um die Scheibe zusammenzudrücken. Wenn eine gebrauchte Zündkerze verwendet wird, diese nach dem Aufsitzen noch um eine 1/8 – 1/4 Drehung festziehen, um die Scheibe zusammenzudrücken.

**VORSICHT:**

**Die Zündkerze muss fest angezogen sein. Eine nicht richtig angezogene Zündkerze kann sehr heiß werden und möglicherweise den Motor beschädigen.**

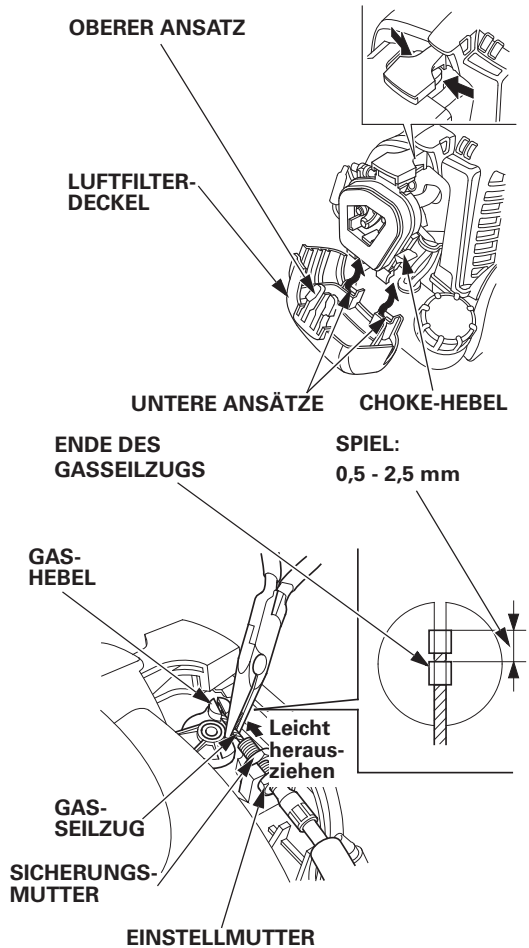
7. Den Zündkerzenstecker aufsetzen.  
8. Die obere Abdeckung anbringen, und die 5 mm-Innensechskantschraube mit einem Sechskantschlüssel gut festziehen.

## 4. Überprüfung und Einstellung des Gasseilzugs

Das Gasseilzugspiel muss richtig eingestellt werden.

### Einstellung:

1. Den Choke-Hebel zur GESCHLOSSENEN Position (nach oben) schieben.
2. Den Luftfilterdeckel nach Aushaken des oberen Ansatzes an der Oberseite des Deckels und der beiden unteren Ansätze des Deckels abnehmen.
3. Den Gasseilzug leicht herausziehen und durch Drehen der Einstellmutter die erweiterte Länge des Gasseilzugs am Ende des Seilzugs auf 0,5 – 2,5 mm einstellen. (Darauf achten, den Gasseilzug nicht zu beschädigen.)

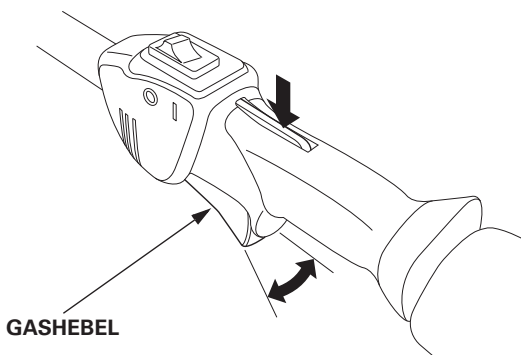


---

4. Die Gasseilzug-Sicherungsmutter gut festziehen.

5. Das Gassystem einige Male betätigen und sicherstellen, dass das Spiel vorschriftsgemäß ist (d. h., dass sich der Gashebel nicht bewegt, während der Gasauslöser betätigt wird).

Nach der Einstellung den Gashebel auf einwandfreies Funktionieren kontrollieren. Im Zweifelsfalle setzen Sie sich bitte mit Ihrem Honda-Händler in Verbindung.



6. Den Luftfilterdeckel wieder anbringen, indem zuerst die unteren Ansätze, dann der obere Ansatz eingesetzt werden.

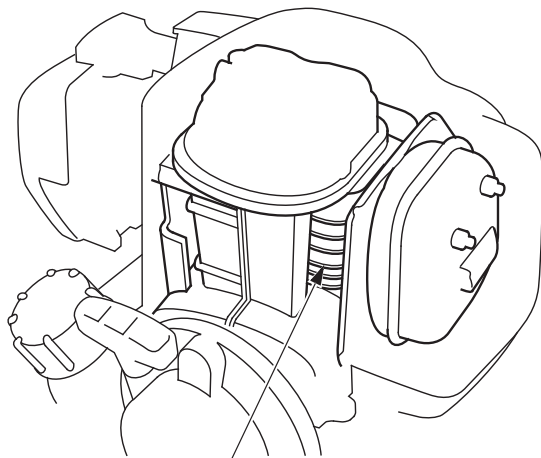
#### **VORSICHT:**

- **Den Luftfilterdeckel nach dem Ausbau wieder sicher anbringen. Wenn der Deckel nicht sicher angebracht wird, kann er sich durch Vibrationen oder eine Motorstörung aus seiner vorgesehenen Position lösen.**
- **Wenn der Motor ohne Luftfilter oder mit einem falsch installierten Luftfilter betrieben wird, gelangt Schmutz in das Motorinnere, wodurch Motorschäden verursacht werden können.**

---

## 5. Überprüfung der Motorkühlrippen

Die Kühlrippe einer Sichtprüfung durch die Abdeckung unterziehen. Falls sich trockenes Gras, Blätter oder Schmutz angesammelt haben, wenden Sie sich bezüglich Reinigung an Ihren Honda-Händler.



**KÜHLRIPPEN**  
(In der oberen Abdeckung)

## 6. Wartung des Kraftstofffilters / Reinigung des Kraftstofftanks

Bitte beachten, dass ein verstopfter Kraftstofffilter schlechte Motorleistung verursachen kann.

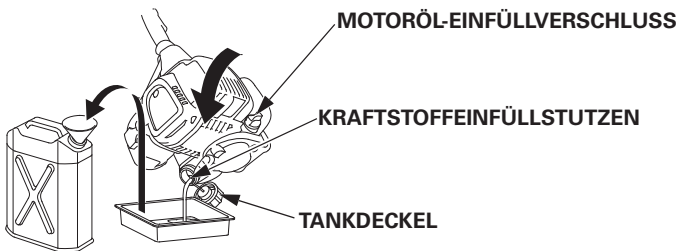
Wasser, Staub, Schmutz und andere Fremdkörper im Kraftstofftank können schlechte Motorleistung verursachen.

### ▲ WARNUNG

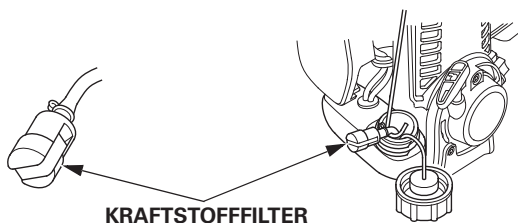
**Benzin ist außerordentlich feuergefährlich und kann unter gewissen Bedingungen explodieren. Beim Umgang mit Benzin ist stets zu beachten, dass Verbrennungs- und ernsthafte Verletzungsgefahr besteht. Bei der Wartung des Kraftstofffilters und der Reinigung des Kraftstofftanks sind die nachfolgenden Hinweise zu beachten.**

- Den Motor stoppen.
- Die Überprüfung in einer gut belüfteten Umgebung durchführen.
- Wärme, Funken und Flammen fernhalten. Nicht rauchen.
- Kein Benzin verschütten. Falls Benzin verschüttet worden ist, dieses unverzüglich aufwischen, und den Gegenstand, mit dem das verschüttete Benzin aufgewischt worden ist, umweltbewusst entsorgen.

1. Sicherstellen, dass der Motoröl-Einfüllverschluss sicher angezogen ist.
2. Den Tankdeckel entfernen, und das Benzin in den Behälter entleeren, indem der Motor zum Kraftstoffeinfüllstutzen geneigt wird.



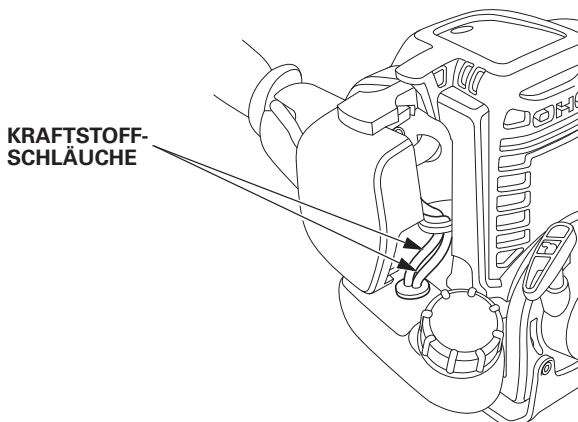
3. Den Kraftstofffilter vorsichtig mit einem Stück Draht vom Kraftstoffeinfüllstutzen herausziehen.
4. Den Kraftstofffilter auf Verschmutzung überprüfen. Den Kraftstofffilter bei Verschmutzung vorsichtig mit einem nicht entflammaren Lösungsmittel oder einem solchen hohen Flammpunkts waschen. Den Kraftstofffilter auswechseln, wenn er übermäßig verschmutzt ist.



- 
5. Wasser und Schmutz mit nicht entflammarem Lösungsmittel oder einem solchen hohen Flammpunkts vom Kraftstofftank ausspülen.
  6. Den Kraftstofffilter wieder in den Kraftstofftank einsetzen, und den Tankdeckel gut andrehen.

## 7. Überprüfung der Kraftstoffschläuche

Die Kraftstoffschläuche auf Risse und sonstige Schäden prüfen und sicherstellen, dass kein Kraftstoff an den Kraftstoffschläuchen ausläuft. Sollten Sie Abnormalitäten an den Kraftstoffschläuchen feststellen, wenden Sie sich bitte an einen autorisierten Honda-Händler.





# 10. TRANSPORT

---

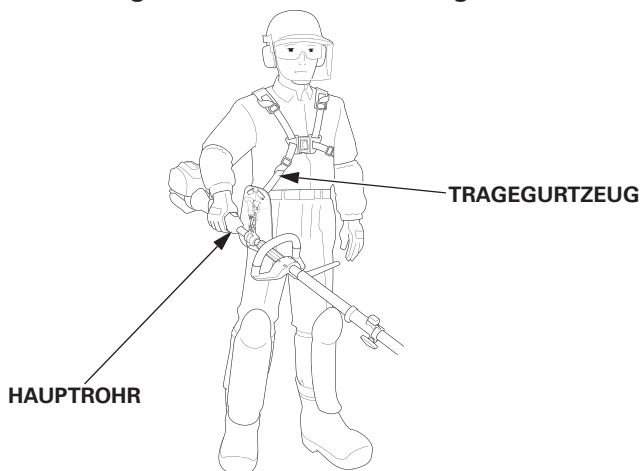
## VORSICHT:

Zur Vermeidung ernsthafter Verbrennungen oder einer Brandgefahr den Motor vor dem Transport des Antriebskopfs ausreichend abkühlen lassen.

Den Motorschalter stets in AUS-Stellung bringen. Sicherstellen, dass der Tankdeckel fest angezogen ist.

Transport des Antriebskopfs von Hand:

Den Antriebskopf am Tragegurtzeug anbringen, oder das Hauptrohr halten, um das Gerät gut ausbalanciert zu tragen.



Transport des Antriebskopfs mit einem Fahrzeug:

Den Antriebskopf in waagerechter Lage sichern und sicherstellen, dass er sich nicht bewegen oder herunterfallen kann.

# 11. LANGZEITLAGERUNG

Bevor der Antriebskopf für längere Zeit gelagert wird, müssen bestimmte Vorbereitungen getroffen werden, damit er bei Inbetriebnahme wieder einwandfrei arbeitet und gut aussieht. Die folgenden Maßnahmen tragen dazu bei, den Antriebskopf während der Lagerung vor Rost und Korrosion zu schützen.

## VORSICHT:

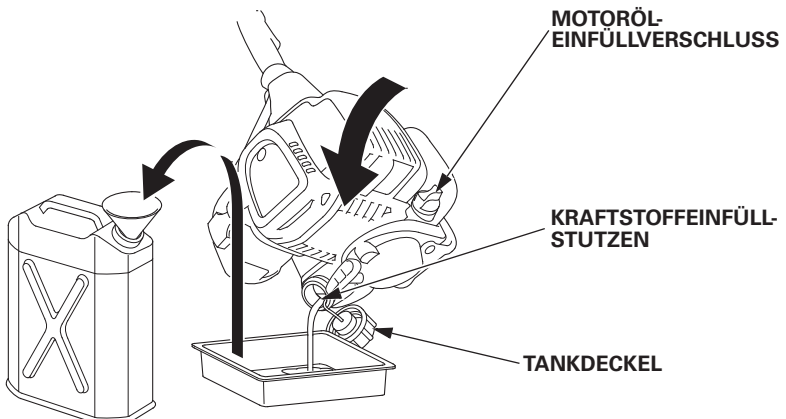
- **Wenn der Antriebskopf gelaufen ist, wird der Motor sehr heiß; lassen Sie ihn zuerst abkühlen, bevor Sie weitere Schritte vornehmen.**
- **Den Antriebskopf auf einer ebenen Fläche absetzen und sicherstellen, dass der Motorschalter in AUS-Stellung steht, damit der Motor nicht versehentlich gestartet werden kann.**

1. Alle Außenflächen reinigen, beschädigten Lack ausbessern, und andere Flächen, die rosten könnten, mit einer dünnen Schicht Öl befeuchten.
2. Den Kraftstoff ablassen.

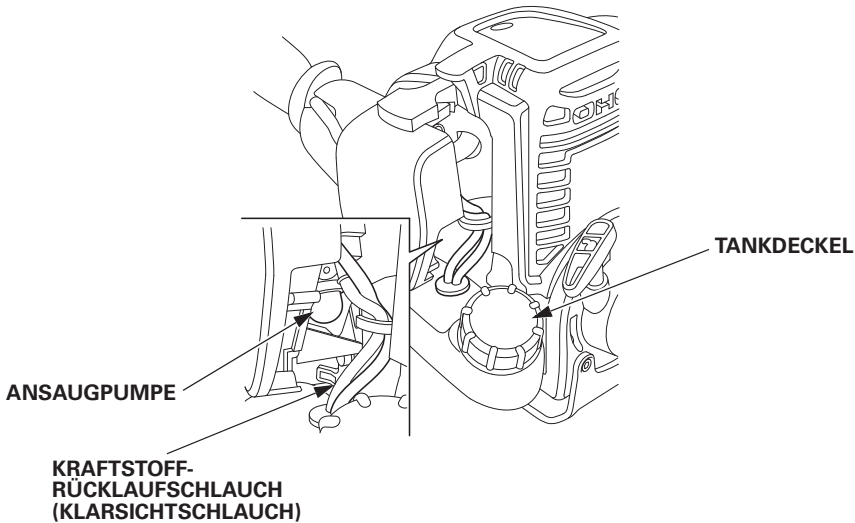
## ⚠ WARNUNG

**Benzin ist außerordentlich feuergefährlich und kann unter gewissen Bedingungen explodieren. Im Arbeitsbereich nicht rauchen, und Flammen sowie Funken von diesem Bereich fernhalten.**

- a. Sicherstellen, dass der Motoröl-Einfüllverschluss sicher angezogen ist.
- b. Den Tankdeckel entfernen und das Benzin in den Behälter entleeren, indem der Motor zum Kraftstoffeinfüllstutzen hin geneigt wird.



- c. Die Ansaugpumpe einige Male drücken, bis der gesamte im Kraftstoff-Rücklaufschlauch verbliebene Kraftstoff in den Kraftstofftank zurückgelaufen ist.



- d. Den Motor erneut in Richtung Kraftstoffeinfüllstutzen neigen, um das im Kraftstofftank verbliebene Benzin in den Behälter zu entleeren.  
e. Nach vollständigem Ablassen des Benzins den Tankdeckel sicher anziehen.

#### HINWEIS:

- Gealtertes Benzin kann unerwartete Motorschäden verursachen.
- Benzin ist in einem sauberen, ausschließlich für Benzin vorgesehenen Behälter aufzubewahren.
- Benzin ist an einem kühlen, gut belüfteten Ort aufzubewahren.

3. Das Motoröl wechseln (siehe Seite 43).
4. Den Luftfilter reinigen (siehe Seite 45, 46).
5. Die obere Abdeckung abnehmen, die Zündkerze herausdrehen, und etwa einen Esslöffel sauberen Motoröls in den Zylinder füllen.
6. Den Motor einige Male durchdrehen, um das Öl zu verteilen, dann die Zündkerze wieder eindrehen. Den Anlassergriff langsam ziehen, bis Widerstand zu spüren ist. Die obere Abdeckung wieder anbringen.
7. Den Choke-Hebel zur GESCHLOSSENEN Position schieben (siehe Seite 35).
8. Den Antriebskopf abdecken und an einem trockenen, staubfreien Ort aufbewahren.

### Motor startet nicht:

1. Ist der Motorschalter in EIN-Stellung?
2. Ist Benzin im Kraftstofftank (siehe Seite 21)?

#### **▲ WARNUNG**

**Benzin ist außerordentlich feuergefährlich und kann unter gewissen Bedingungen explodieren. Im Arbeitsbereich nicht rauchen, und Flammen sowie Funken von diesem Bereich fernhalten.**

3. Gelangt Benzin zum Vergaser?  
Zur Kontrolle die Ansaugpumpe einige Male drücken (siehe Seite 35).
4. Ist die Zündkerze in gutem Zustand?  
Reinigen, den Abstand justieren und die Zündkerze trocknen. Bei Bedarf austauschen (siehe Seite 47).
5. Wenn der Motor immer noch nicht startet, lassen Sie ihn von einem autorisierten Honda-Händler überprüfen.

## 13. TECHNISCHE DATEN

---

MODELL	UMC425E	UMC435E
Beschreibungscode	HACT	HADT

MODELL	UMC425U	UMC435U
Beschreibungscode	HAET	HAFT

### Rahmen

MODELL	UMC425E UMC425U	UMC435E UMC435U
Grifftyp	Schlaufe	
Kupplungstyp	Zentrifugalkupplung	
Gesamtlänge	1.135 mm	1.145 mm
Gesamtbreite	315 mm	320 mm
Gesamthöhe	245 mm	255 mm
Trockenmasse (Gewicht)	5,1 kg	6,0 kg

### HINWEIS:

Die technischen Daten können je nach Typ verschieden sein und können jederzeit ohne Vorankündigung geändert werden.

## Motor

MODELL	UMC425E	UMC425U
Motormodell	GX25T	
Motor-Beschreibungscode	GCALT	
Motortyp	Einzylinder-Viertaktmotor mit obenliegender Nockenwelle	
Hubraum	25,0 cm <sup>3</sup>	
Bohrung und Hub	35,0 × 26,0 mm	
Motor-Nennleistung (gemäß SAE J1349*)	0,72 kW/7.000 U/min	
Max. Nenndrehmoment des Motors (gemäß SAE J1349*)	1,0 N·m (0,10 kgf·m)/5.000 U/min	
Leerlaufdrehzahl	3.100 ± 200 U/min	
Max. entsprechende Spindeldrehzahl	MIN. 10.000 U/min	
Kühlsystem	Gebläseluft	
Zündsystem	Transistormagnetzündung	
Ölkapazität	0,08 l	
Kraftstofftank-Kapazität	0,58 l	
Zündkerze	CMR5H (NGK)	

\* Die Nennleistung des in diesem Dokument angegebenen Motors ist die Nennleistung, die an einem Produktionsmotor für das Motormodell getestet und gemäß SAE J1349 bei 7.000 U/min (Motor-Nennleistung) und bei 5.000 U/min (Max. Nenndrehmoment des Motors) gemessen wurde. Die Leistung von massenproduzierten Motoren kann von diesem Wert abweichen. Die tatsächliche Leistung des im Endprodukt eingebauten Motors hängt von zahlreichen Faktoren ab, unter anderem von der Betriebsdrehzahl des Motors im Einsatz, den Umgebungsbedingungen, dem Wartungszustand und anderen Variablen.

### HINWEIS:

Die technischen Daten können je nach Typ verschieden sein und können jederzeit ohne Vorankündigung geändert werden.

## Motor

MODELL	UMC435E	UMC435U
Motormodell	GX35T	
Motor-Beschreibungscode	GCAMT	
Motortyp	Einzylinder-Viertaktmotor mit obenliegender Nockenwelle	
Hubraum	35,8 cm <sup>3</sup>	
Bohrung und Hub	39,0 × 30,0 mm	
Motor-Nennleistung (gemäß SAE J1349*)	1,0 kW/7.000 U/min	
Max. Nenndrehmoment des Motors (gemäß SAE J1349*)	1,6 N·m (0,16 kgf·m)/5.500 U/min	
Leerlaufdrehzahl	3.100 ± 200 U/min	
Max. entsprechende Spindeldrehzahl	MIN. 10.000 U/min	
Kühlsystem	Gebläseluft	
Zündsystem	Transistormagnetzündung	
Ölkapazität	0,10 l	
Kraftstofftank-Kapazität	0,63 l	
Zündkerze	CMR5H (NGK)	

\* Die Nennleistung des in diesem Dokument angegebenen Motors ist die Nennleistung, die an einem Produktionsmotor für das Motormodell getestet und gemäß SAE J1349 bei 7.000 U/min (Motor-Nennleistung) und bei 5.500 U/min (Max. Nenndrehmoment des Motors) gemessen wurde. Die Leistung von massenproduzierten Motoren kann von diesem Wert abweichen. Die tatsächliche Leistung des im Endprodukt eingebauten Motors hängt von zahlreichen Faktoren ab, unter anderem von der Betriebsdrehzahl des Motors im Einsatz, den Umgebungsbedingungen, dem Wartungszustand und anderen Variablen.

### HINWEIS:

Die technischen Daten können je nach Typ verschieden sein und können jederzeit ohne Vorankündigung geändert werden.

## Geräusche und Vibrationen (Für europäisches Modell)

MODELL		UMC425E	
ANBAUGERÄT		Freischneider	Rasentrimmer
Schalldruckpegel am Ohr des Bedieners nach EN ISO 22868: 2011		92 dB (A)	97 dB (A)
Unsicherheit		1 dB (A)	1 dB (A)
Gemessener Schallleistungspegel (2000/14/EG, 2005/88/EG)		102 dB (A)	111 dB (A)
Unsicherheit		1 dB (A)	1 dB (A)
Garantierter Schallleistungspegel (2000/14/EG, 2005/88/EG)		112 dB (A)	112 dB (A)
Vibrationspegel Hand/Arm (EN ISO 22867: 2011)	Vorn	4,7 m/s <sup>2</sup>	5,8 m/s <sup>2</sup>
	Hinten	6,5 m/s <sup>2</sup>	5,8 m/s <sup>2</sup>
Unsicherheit (EN 12096: 1997 Anhang D)	Vorn	2,4 m/s <sup>2</sup>	2,3 m/s <sup>2</sup>
	Hinten	2,6 m/s <sup>2</sup>	2,3 m/s <sup>2</sup>

MODELL		UMC425E		
ANBAUGERÄT		Astschere		Laubbläser
		Standard	Verlängerung	
Schalldruckpegel am Ohr des Bedieners nach EN ISO 22868: 2011		90 dB (A)		93 dB (A)
Unsicherheit		1 dB (A)		1 dB (A)
Gemessener Schallleistungspegel (2000/14/EG, 2005/88/EG)		104 dB (A)		105 dB (A)
Unsicherheit		1 dB (A)		1 dB (A)
Garantierter Schallleistungspegel (2000/14/EG, 2005/88/EG)		107 dB (A)		107 dB (A)
Vibrationspegel Hand/Arm (EN ISO 22867: 2011)	Vorn	4,4 m/s <sup>2</sup>	4,1 m/s <sup>2</sup>	5,0 m/s <sup>2</sup>
	Hinten	4,4 m/s <sup>2</sup>	6,5 m/s <sup>2</sup>	5,0 m/s <sup>2</sup>
Unsicherheit (EN 12096: 1997 Anhang D)	Vorn	2,2 m/s <sup>2</sup>	2,0 m/s <sup>2</sup>	2,5 m/s <sup>2</sup>
	Hinten	2,2 m/s <sup>2</sup>	2,6 m/s <sup>2</sup>	2,5 m/s <sup>2</sup>

### HINWEIS:

Die technischen Daten können je nach Typ verschieden sein und können jederzeit ohne Vorankündigung geändert werden.



## Geräusche und Vibrationen (Für europäisches Modell)

MODELL	UMC425E			
ANBAUGERÄT	Heckenschere			
	Kurz	Lang	Verlängerung, lang	
Schalldruckpegel am Ohr des Bedieners nach EN ISO 22868: 2011	90 dB (A)			
Unsicherheit	1 dB (A)			
Gemessener Schallleistungspegel (2000/14/EG, 2005/88/EG)	101 dB (A)			
Unsicherheit	1 dB (A)			
Garantierter Schallleistungspegel (2000/14/EG, 2005/88/EG)	106 dB (A)			
Vibrationspegel Hand/Arm (EN ISO 22867: 2011)	Vorn	5,9 m/s <sup>2</sup>	7,0 m/s <sup>2</sup>	3,5 m/s <sup>2</sup>
	Hinten	4,4 m/s <sup>2</sup>	4,5 m/s <sup>2</sup>	6,2 m/s <sup>2</sup>
Unsicherheit (EN 12096: 1997 Anhang D)	Vorn	2,4 m/s <sup>2</sup>	2,8 m/s <sup>2</sup>	1,7 m/s <sup>2</sup>
	Hinten	2,2 m/s <sup>2</sup>	2,3 m/s <sup>2</sup>	2,5 m/s <sup>2</sup>

MODELL	UMC425E		
ANBAUGERÄT	Kantenschneider	Bodenfräse	
Schalldruckpegel am Ohr des Bedieners nach EN ISO 22868: 2011	91 dB (A)	89 dB (A)	
Unsicherheit	1 dB (A)	2 dB (A)	
Gemessener Schallleistungspegel (EN ISO 22868: 2011)	102 dB (A)	102 dB (A)	
Unsicherheit	1 dB (A)	2 dB (A)	
Garantierter Schallleistungspegel (EN ISO 22868: 2011)	106 dB (A)	106 dB (A)	
Vibrationspegel Hand/Arm (EN ISO 22867: 2011)	Vorn	4,8 m/s <sup>2</sup>	3,7 m/s <sup>2</sup>
	Hinten	6,2 m/s <sup>2</sup>	5,7 m/s <sup>2</sup>
Unsicherheit (EN 12096: 1997 Anhang D)	Vorn	2,4 m/s <sup>2</sup>	1,9 m/s <sup>2</sup>
	Hinten	2,5 m/s <sup>2</sup>	2,3 m/s <sup>2</sup>

### HINWEIS:

Die technischen Daten können je nach Typ verschieden sein und können jederzeit ohne Vorankündigung geändert werden.

## Geräusche und Vibrationen (Für europäisches Modell)

MODELL		UMC435E	
ANBAUGERÄT		Freischneider	Rasentrimmer
Schalldruckpegel am Ohr des Bedieners nach EN ISO 22868: 2011		92 dB (A)	97 dB (A)
Unsicherheit		1 dB (A)	1 dB (A)
Gemessener Schallleistungspegel (2000/14/EG, 2005/88/EG)		105 dB (A)	110 dB (A)
Unsicherheit		1 dB (A)	1 dB (A)
Garantierter Schallleistungspegel (2000/14/EG, 2005/88/EG)		112 dB (A)	112 dB (A)
Vibrationspegel Hand/Arm (EN ISO 22867: 2011)	Vorn	4,9 m/s <sup>2</sup>	5,5 m/s <sup>2</sup>
	Hinten	6,1 m/s <sup>2</sup>	6,8 m/s <sup>2</sup>
Unsicherheit (EN 12096: 1997 Anhang D)	Vorn	2,5 m/s <sup>2</sup>	2,2 m/s <sup>2</sup>
	Hinten	2,4 m/s <sup>2</sup>	2,7 m/s <sup>2</sup>

MODELL		UMC435E		
ANBAUGERÄT		Astschere		Laubbläser
		Standard	Verlängerung	
Schalldruckpegel am Ohr des Bedieners nach EN ISO 22868: 2011		90 dB (A)		94 dB (A)
Unsicherheit		2 dB (A)		2 dB (A)
Gemessener Schallleistungspegel (2000/14/EG, 2005/88/EG)		105 dB (A)		105 dB (A)
Unsicherheit		2 dB (A)		2 dB (A)
Garantierter Schallleistungspegel (2000/14/EG, 2005/88/EG)		107 dB (A)		107 dB (A)
Vibrationspegel Hand/Arm (EN ISO 22867: 2011)	Vorn	5,6 m/s <sup>2</sup>	3,0 m/s <sup>2</sup>	4,3 m/s <sup>2</sup>
	Hinten	4,3 m/s <sup>2</sup>	5,7 m/s <sup>2</sup>	5,0 m/s <sup>2</sup>
Unsicherheit (EN 12096: 1997 Anhang D)	Vorn	2,3 m/s <sup>2</sup>	1,5 m/s <sup>2</sup>	2,2 m/s <sup>2</sup>
	Hinten	2,1 m/s <sup>2</sup>	2,3 m/s <sup>2</sup>	2,5 m/s <sup>2</sup>

### HINWEIS:

Die technischen Daten können je nach Typ verschieden sein und können jederzeit ohne Vorankündigung geändert werden.

## Geräusche und Vibrationen (Für europäisches Modell)

MODELL		UMC435E		
ANBAUGERÄT		Heckenschere		
		Kurz	Lang	Verlängerung, lang
Schalldruckpegel am Ohr des Bedieners nach EN ISO 22868: 2011		92 dB (A)		
Unsicherheit		2 dB (A)		
Gemessener Schallleistungspegel (2000/14/EG, 2005/88/EG)		104 dB (A)		
Unsicherheit		2 dB (A)		
Garantierter Schallleistungspegel (2000/14/EG, 2005/88/EG)		106 dB (A)		
Vibrationspegel Hand/Arm (EN ISO 22867: 2011)	Vorn	6,9 m/s <sup>2</sup>	5,9 m/s <sup>2</sup>	3,7 m/s <sup>2</sup>
	Hinten	4,2 m/s <sup>2</sup>	4,1 m/s <sup>2</sup>	5,8m/s <sup>2</sup>
Unsicherheit (EN 12096: 1997 Anhang D)	Vorn	2,8 m/s <sup>2</sup>	2,4 m/s <sup>2</sup>	1,8 m/s <sup>2</sup>
	Hinten	2,1 m/s <sup>2</sup>	2,1 m/s <sup>2</sup>	2,3 m/s <sup>2</sup>

MODELL		UMC435E	
ANBAUGERÄT		Kantenschneider	Bodenfräse
Schalldruckpegel am Ohr des Bedieners nach EN ISO 22868: 2011		91 dB (A)	91 dB (A)
Unsicherheit		1 dB (A)	2 dB (A)
Gemessener Schallleistungspegel (EN ISO 22868: 2011)		105 dB (A)	104 dB (A)
Unsicherheit		1 dB (A)	2 dB (A)
Garantierter Schallleistungspegel (EN ISO 22868: 2011)		106 dB (A)	106 dB (A)
Vibrationspegel Hand/Arm (EN ISO 22867: 2011)	Vorn	6,0 m/s <sup>2</sup>	4,3 m/s <sup>2</sup>
	Hinten	6,3 m/s <sup>2</sup>	6,5 m/s <sup>2</sup>
Unsicherheit (EN 12096: 1997 Anhang D)	Vorn	2,4 m/s <sup>2</sup>	2,2 m/s <sup>2</sup>
	Hinten	2,5 m/s <sup>2</sup>	2,6 m/s <sup>2</sup>

### HINWEIS:

Die technischen Daten können je nach Typ verschieden sein und können jederzeit ohne Vorankündigung geändert werden.

## Geräusche und Vibrationen (Für australisches Modell)

MODELL		UMC425U	
ANBAUGERÄT		Freischneider	Rasentrimmer
Schalldruckpegel (Standard, Australien, Neusüdwales)		69 dB (A)	75 dB (A)
Schalldruckpegel am Ohr		(AS3575: 1995+ Amdt1:1997)	95 dB (A)
Vibrationspegel	Vorn		8 m/s <sup>2</sup>
	Hinten		10 m/s <sup>2</sup>
		12 m/s <sup>2</sup>	10 m/s <sup>2</sup>

MODELL		UMC425U	
ANBAUGERÄT		Astschere	Laubbläser
Schalldruckpegel (Standard, Australien, Neusüdwales)		72 dB (A)	77 dB (A)

MODELL		UMC425U	
ANBAUGERÄT		Heckenschere	Kantenschneider
Schalldruckpegel (Standard, Australien, Neusüdwales)		70 dB (A)	70 dB (A)

MODELL		UMC425U	
ANBAUGERÄT		Bodenfräse	
Schalldruckpegel (Standard, Australien, Neusüdwales)		69 dB (A)	

### HINWEIS:

Die technischen Daten können je nach Typ verschieden sein und können jederzeit ohne Vorankündigung geändert werden.

## Geräusche und Vibrationen (Für australisches Modell)

MODELL		UMC435U	
ANBAUGERÄT		Freischneider	Rasentrimmer
Schalldruckpegel (Standard, Australien, Neusüdwales)		72 dB (A)	77 dB (A)
Schalldruckpegel am Ohr		(AS3575: 1995+ Amdt1:1997)	101 dB (A)
Vibrationspegel	Vorn		9 m/s <sup>2</sup>
	Hinten		11 m/s <sup>2</sup>
			12 m/s <sup>2</sup>

MODELL		UMC435U	
ANBAUGERÄT		Astschere	Laubbläser
Schalldruckpegel (Standard, Australien, Neusüdwales)		75 dB (A)	77 dB (A)

MODELL		UMC435U	
ANBAUGERÄT		Heckenschere	Kantenschneider
Schalldruckpegel (Standard, Australien, Neusüdwales)		73 dB (A)	72 dB (A)

MODELL		UMC435U	
ANBAUGERÄT		Bodenfräse	
Schalldruckpegel (Standard, Australien, Neusüdwales)		72 dB (A)	

### HINWEIS:

Die technischen Daten können je nach Typ verschieden sein und können jederzeit ohne Vorankündigung geändert werden.

**Honda UMC425E • UMC435E  
UMC425U • UMC435U**

**MANUALE DELL'UTENTE**  
Istruzioni originali



ECOLOGY CONSCIOUS TECHNOLOGY

Il contrassegno "e-SPEC" contraddistingue le tecnologie responsabili applicate a Honda Power Equipment allo scopo di "preservare la natura per le generazioni future".

# INTRODUZIONE

---

La ringraziamo per aver acquistato un motore Honda.

I motori Honda UMC425E, UMC435E, UMC425U e UMC435U possono essere utilizzati per essere collegati a diversi tipi di accessori originali Honda per l'esecuzione di vari tipi di operazioni.

Il presente manuale fornisce le informazioni relative al funzionamento e alla manutenzione del motore Honda UMC425E • UMC435E • UMC425U • UMC435U.

Honda Motor Co., Ltd. si riserva il diritto di apportare modifiche in qualunque momento senza preavviso e senza incorrere in alcun obbligo.

Nessuna parte di questo manuale può essere riprodotta senza autorizzazione scritta.

Questo manuale va considerato come parte integrante del motore e dovrà quindi accompagnare il prodotto anche in caso di rivendita.

Prestare particolare attenzione alle dichiarazioni precedute dalle parole seguenti:

**▲ ATTENZIONE** Indica la seria possibilità di gravi lesioni personali o di morte se non vengono seguite le istruzioni.

**AVVERTENZA:** Indica la possibilità di lesioni personali o danni alle attrezzature se non vengono seguite le istruzioni.

NOTA: Fornisce informazioni utili.

In caso di problemi o domande relative al motore, rivolgersi a un rivenditore Honda autorizzato.

Il motore Honda è progettato per operare in sicurezza e affidabilità se viene utilizzato seguendo queste istruzioni.

**▲ ATTENZIONE**

**L'uso di un motore richiede una particolare attenzione per garantire la sicurezza dell'operatore e di terzi. Leggere con attenzione il presente manuale d'uso prima di utilizzare il motore; in caso contrario potrebbero verificarsi lesioni personali o danni alle attrezzature.**

Le illustrazioni fanno riferimento al modello: UMC435E

- Le illustrazioni possono variare in base al tipo di modello.

---

### **Smaltimento**

Nel rispetto dell'ambiente, non smaltire l'intero prodotto, la batteria, ecc. insieme agli altri rifiuti. Osservare quanto stabilito dalle leggi e normative locali in materia di smaltimento oppure rivolgersi al proprio concessionario Honda autorizzato.



# INDICE

---

1. NORME DI SICUREZZA .....	3
2. UBICAZIONE DELLE ETICHETTE DI SICUREZZA.....	11
3. IDENTIFICAZIONE DEI COMPONENTI.....	13
4. COMANDI .....	15
5. CONTROLLI PRIMA DELL'UTILIZZO.....	19
6. AVVIAMENTO DEL MOTORE.....	34
7. FUNZIONAMENTO .....	38
8. ARRESTO DEL MOTORE .....	39
9. MANUTENZIONE .....	40
10. TRASPORTO.....	54
11. RIMESSAGGIO.....	55
12. RICERCA GUASTI.....	57
13. SPECIFICHE TECNICHE.....	58
INDIRIZZI DEI PRINCIPALI DISTRIBUTORI Honda....	Interno retro copertina
PUNTI ESSENZIALI DELLA “Dichiarazione di conformità CE” .....	Interno retro copertina

## ⚠ ATTENZIONE

### Per assicurare un uso sicuro

Per la sicurezza personale e per la sicurezza degli altri, prestare particolare attenzione alle precauzioni seguenti:



- I motori Honda sono progettati per funzionare in modo sicuro ed affidabile se utilizzati come indicato nelle istruzioni.

Leggere con attenzione il presente manuale dell'utente prima di utilizzare il motore. In caso contrario potrebbero verificarsi lesioni personali o danni alle attrezzature.



- In certe condizioni la benzina è estremamente infiammabile ed esplosiva.
- Non fumare e tenere fiamme e scintille lontane da dove si rifornisce il motore o si tiene la benzina.
- Non riempire troppo il serbatoio del carburante, e verificare che il tappo del serbatoio sia stato ben chiuso al termine del rifornimento.
- Fare rifornimento in un luogo ben ventilato e a motore spento.



- I gas di scarico contengono monossido di carbonio, un gas velenoso incolore e inodore. Respirare monossido di carbonio può causare la perdita di coscienza e portare alla morte.
- Se si aziona il motore in un ambiente chiuso, anche solo parzialmente, l'aria che si respira potrebbe contenere una quantità pericolosa di gas di scarico.
- Non azionare mai il motore all'interno di un garage, una casa o nei pressi di finestre o porte aperte.

---

**▲ ATTENZIONE****Per assicurare un uso sicuro****Responsabilità dell'operatore**

- Utilizzare esclusivamente accessori originali Honda. In caso contrario, potrebbero verificarsi lesioni personali o incidenti.
- Leggere attentamente e attenersi alle istruzioni contenute nel manuale d'uso fornito insieme a ciascun accessorio.
- Non utilizzare mai il motore quando si è stanchi o sotto l'influsso di alcol o di droghe.
- Ogni componente della macchina costituisce una potenziale fonte di pericolo se la macchina viene utilizzata in condizioni anomale oppure se la manutenzione non viene eseguita in modo corretto.
- Leggere attentamente il manuale dell'utente. Acquisire una completa conoscenza dei comandi e dell'uso corretto del motore. Imparare ad arrestare velocemente il motore.
- Non permettere che bambini o altre persone che non abbiano acquisito una buona conoscenza delle istruzioni contenute nel manuale usino il motore. Le leggi locali potrebbero limitare l'uso della macchina a operatori in base all'età.
- Se il motore viene prestato o rivenduto a terzi, fornire istruzioni adeguate per l'utilizzo del prodotto e raccomandare un'attenta lettura del manuale dell'utente prima dell'uso.
- Non utilizzare mai il motore:
  - nelle immediate vicinanze di persone, specialmente bambini, o animali.
  - quando si è stanchi, dopo l'assunzione di medicinali o di sostanze che potrebbero rallentare i riflessi.
- Ciascun accessorio ha una propria area di lavoro a cui persone o animali non devono avvicinarsi. Attenersi alle istruzioni contenute nel manuale d'uso fornito insieme a ciascun accessorio.
- Tenere presente che l'operatore o utente è responsabile di eventuali incidenti o danni a terzi o a beni di loro proprietà.

---

## ▲ ATTENZIONE

### Per assicurare un uso sicuro

#### Responsabilità dell'operatore

- Indossare abbigliamento protettivo e dispositivi di protezione quando si utilizza il motore.
- Per ulteriori informazioni sul tipo di abbigliamento protettivo e sui dispositivi di protezione da indossare, attenersi alle istruzioni contenute nel manuale d'uso fornito insieme a ciascun accessorio.
  - Abbigliamento protettivo  
Indossare indumenti adeguati, con maniche e pantaloni lunghi. Gli indumenti devono aderire al corpo ed essere completamente abbottonati o chiusi con cerniera. Non lasciare aperte le maniche o la parte inferiore della camicia o della giacca.  
Indossare anche parabraccia.  
Non indossare indumenti con fibbie, lacci e /o nastri, indumenti ampi, cravatte, collane ecc. durante il funzionamento. Raccogliere i capelli lunghi non lasciarli sciolti sulle spalle.
  - Dispositivi di protezione
    - \* Occhiali protettivi  
Indossare occhiali protettivi o una protezione per gli occhi per proteggersi adeguatamente dai detriti.
    - \* Elmetto  
Indossare l'elmetto per proteggere il capo da rami spioventi e dalla caduta di materiale estraneo.
    - \* Mascherina facciale  
Indossare la mascherina facciale per proteggere il volto da detriti.
    - \* Cuffie/inserti auricolari  
Indossare le cuffie, gli inserti auricolari o altre protezioni per proteggere l'udito dai rumori.
    - \* Guanti  
Indossare guanti per proteggere le mani.
    - \* Stivali di sicurezza  
Indossare stivali di sicurezza con suola antiscivolo e proteggi-dita per proteggere i piedi da detriti volanti.  
Non utilizzare l'attrezzatura a piedi nudi o se si indossano sandali aperti.  
Indossare anche i paragambe.

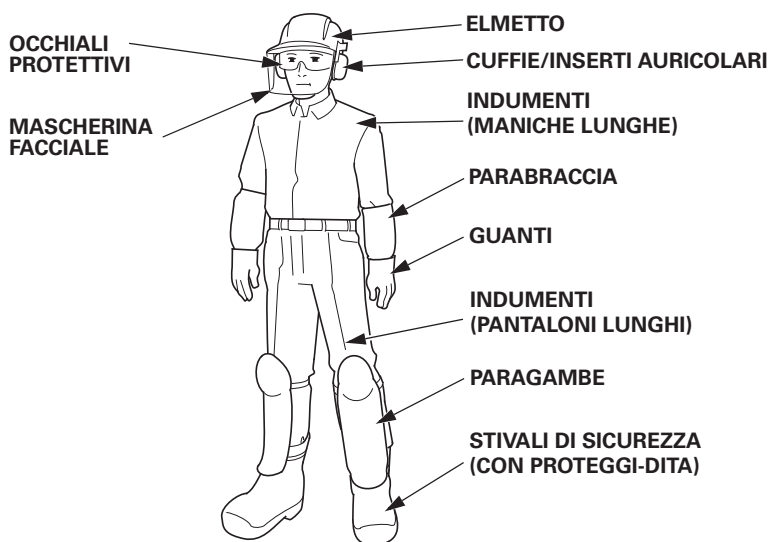
## ⚠ ATTENZIONE

Per assicurare un uso sicuro

### Responsabilità dell'operatore

#### \* Mascherina antipolvere

Si raccomanda l'utilizzo della mascherina antipolvere nel caso si sia affetti da rinite allergica o pollinosi ecc. La mascherina, reperibile in farmacia, è utile per ridurre la quantità di polline inalata.



- Prima dell'uso, controllare a vista che il motore non presenti eventuali parti danneggiate o allentate.
- Prima dell'uso, controllare se il motore presenta segni di perdite di olio o benzina.
- Non utilizzare il motore di notte, in caso di maltempo o quando la visibilità è scarsa, poiché il rischio di incidenti aumenta.
- Durante il lavoro, camminare, non correre.
- Evitare di utilizzare il motore su terreni in pendenza. I terreni in pendenza sono molto scivolosi e potrebbero provocare cadute.

---

## **▲ ATTENZIONE**

### **Per assicurare un uso sicuro**

#### **Responsabilità dell'operatore**

- Non far funzionare il motore con le etichette e altri componenti rimossi.
- Non montare componenti non corretti e non manomettere il motore. In caso contrario potrebbero verificarsi lesioni personali e/o danni alle attrezzature. Utilizzare componenti adatti al tipo di modello e all'applicazione.
- Spegnerne il motore portando l'interruttore del motore in posizione OFF nei casi seguenti:
  - Prima di eseguire interventi in prossimità del motore.
  - Prima del controllo, della pulizia e prima di eseguire interventi sul motore.
  - Dopo avere urtato un oggetto estraneo. Ispezionare sempre il motore per riscontrare eventuali danni ed eseguire gli interventi di riparazione necessari prima di riavviare e di utilizzare di nuovo il motore.
  - Se il motore inizia a vibrare in modo anomalo. Controllare immediatamente la causa delle vibrazioni ed eseguire le riparazioni necessarie.
  - Tutte le volte che si deve lasciare il motore incustodito.
  - Prima di un rifornimento di carburante.
  - In caso di avvicinamento di una persona o di un animale.
  - Spegnerne immediatamente il motore se inizia a vibrare improvvisamente in modo anomalo. Vibrazioni improvvise potrebbero indicare la presenza di parti rotanti danneggiate o di dispositivi di fissaggio allentati. Esaminare la causa del problema e non avviare il motore prima che sia stata eseguita la riparazione.
- Il motore è difettoso se, rilasciando l'acceleratore, il motore è al minimo ma l'accessorio continua a ruotare. In questo caso, è necessario eseguire la regolazione del regime minimo. Rivolgersi al proprio rivenditore autorizzato Honda.
- Assicurarsi che tutti i bulloni, i dadi e le viti siano saldamente serrati in modo da mantenere il motore in condizioni di lavoro di sicurezza. Per garantire la sicurezza dell'utilizzatore e un alto rendimento della macchina, è indispensabile provvedere alla manutenzione periodica.
- Non utilizzare il motore con componenti usurati o danneggiati. Sostituire o riparare i componenti. Sostituire i componenti usurati o danneggiati con componenti originali Honda. Ricambi non equivalenti possono danneggiare la macchina e mettere a repentaglio la sicurezza.

---

**▲ ATTENZIONE****Per assicurare un uso sicuro****Responsabilità dell'operatore**

- Lesioni provocate da vibrazioni e freddo:  
Si potrebbero avvertire sensazioni di formicolio o bruciore alle dita, che potrebbero perdere colore e sensibilità a seconda dei casi. Si ritiene che questi sintomi siano dovuti all'esposizione a vibrazioni e/ o al freddo. Nonostante la causa scatenante dei sintomi non sia al momento nota, è necessario attenersi alle istruzioni seguenti.
  - \* Limitare il numero di ore di utilizzo giornaliero del motore.  
Una giornata di lavoro dovrebbe alternare attività eseguite con il motore e altre attività che non prevedono l'utilizzo dell'attrezzatura manuale, in modo da limitare il tempo di esposizione delle mani alle vibrazioni della macchina.
  - \* Mantenere caldo il proprio corpo, soprattutto le mani, i polsi e le braccia.
  - \* Fare pause ad intervalli più brevi ed eseguire esercizi con le braccia per garantire una buona circolazione del sangue. Non fumare durante il lavoro.
  - \* Se le dita si arrossano e si avverte una sensazione di fastidio e gonfiore seguita da perdita di colore e di sensibilità, rivolgersi immediatamente ad un medico.
- Lesioni provocate da movimenti ripetuti:  
La ripetizione di uno stesso movimento per un tempo prolungato può provocare lesioni personali. Per ridurre il rischio di lesioni, attenersi alle istruzioni seguenti.
  - \* Evitare movimenti ripetuti piegando, distendendo o ruotando i polsi.
  - \* Fare pause ad intervalli regolari per minimizzare l'effetto di movimenti ripetuti. Non eseguire movimenti ripetuti con eccessiva fretta. Non far funzionare il motore con eccessiva fretta.
  - \* Se si avverte una sensazione pulsante o di intorpidimento a dita, mani, polsi e/o braccia, consultare il proprio medico.

---

**▲ ATTENZIONE****Per assicurare un uso sicuro****Sicurezza dei bambini**

- Tenere i bambini in casa e sotto la sorveglianza di adulti tutte le volte che nelle vicinanze si sta usando un motore per uso esterno. I bambini si muovono velocemente e sono particolarmente attratti da un motore.
- Mai pensare che i bambini rimangano dove li si sono visti l'ultima volta. Stare sempre attenti e spegnere il motore se ci sono dei bambini nei dintorni.
- Non si deve mai lasciare usare un motore a un bambino, neppure sotto la supervisione di un adulto.

**Pericolo di incendi e di ustioni**

La benzina è estremamente infiammabile e i suoi fumi sono esplosivi. Prestare sempre la massima attenzione nel maneggiare la benzina. Tenere la benzina fuori della portata dei bambini.

- Conservare il carburante in appositi contenitori.
  - Fare rifornimento solo all'aperto e non fumare durante il rifornimento o quando si maneggia il carburante.
  - Effettuare il rifornimento di carburante prima di avviare il motore. Non rimuovere mai il tappo del serbatoio del carburante e non aggiungere mai benzina quando il motore è in funzione o quando il motore è caldo.
  - Se fuoriesce della benzina, non tentare di avviare il motore ma spostare il motore lontano dalla zona della fuoriuscita ed evitare di creare una fonte di combustione fino a quando i vapori di benzina non si siano dissipati.
  - Serrare saldamente tutti i tappi dei serbatoi del carburante.
  - Quando si avvia il motore dopo un rifornimento, assicurarsi di eseguire l'operazione ad una distanza di almeno 3 m dal punto di rifornimento.
  - Non depositare il motore con carburante nel serbatoio all'interno di edifici in cui i vapori potrebbero raggiungere una fiamma non protetta, una sorgente di scintille o alta temperatura.
  - Prima del rimessaggio in un luogo chiuso, lasciare che il motore si raffreddi.
  - Per ridurre il rischio di incendio, conservare il motore, la marmitta, e anche l'area di immagazzinamento del carburante, liberi da erba, foglie e grasso in eccesso.
- Non lasciare contenitori di prodotti vegetali nell'edificio o nelle vicinanze.
- Se il serbatoio del carburante deve essere svuotato, questa operazione deve essere eseguita all'esterno, quando il motore è freddo.



---

**▲ ATTENZIONE****Per assicurare un uso sicuro****Pericolo di avvelenamento da monossido di carbonio**

Lo scarico contiene monossido di carbonio, un gas velenoso incolore e inodore. La sua respirazione può causare la perdita di coscienza e portare alla morte.

- Se si fa girare il motore in un ambiente chiuso, o anche parzialmente chiuso, l'aria che si respira potrebbe contenere una quantità pericolosa di gas di scarico. Per evitare l'accumulo dei gas di scarico provvedere ad una ventilazione adeguata.
- Sostituire la marmitta difettosa.
- Non far funzionare il motore in uno spazio limitato dove gli scarichi di monossido di carbonio, molto nocivi, si raccolgono piuttosto che disperdersi.

## 2. UBICAZIONE DELLE ETICHETTE DI SICUREZZA

Il motore deve essere utilizzato con cura. Decalcomanie sono quindi state posizionate in vari punti della macchina, per ricordare le principali precauzioni da osservare. Il significato delle decalcomanie è illustrato a pagina 3.

Le decalcomanie sono da considerarsi parte integrate del motore. Se le decalcomanie dovessero staccarsi o risultare illeggibili, rivolgersi al proprio rivenditore Honda per la sostituzione.

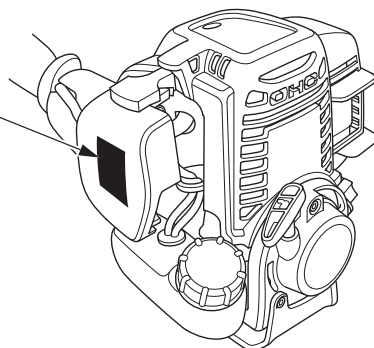
**Per modello destinato al mercato europeo: UMC425E, UMC435E**

LEGGERE IL MANUALE DELL'UTENTE

AVVERTENZA CARBURANTE



AVVERTENZA SCARICO

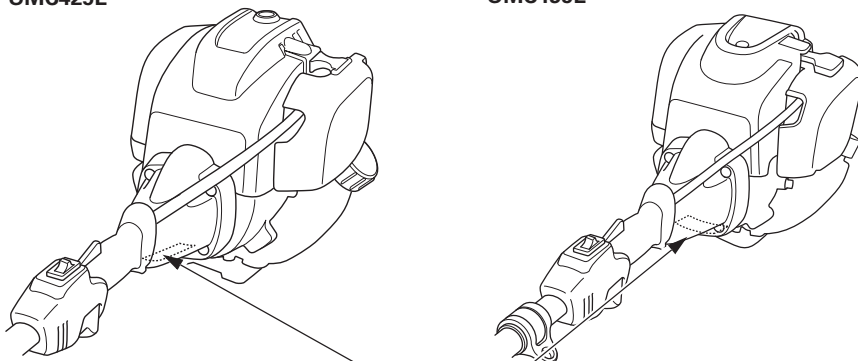


## Ubicazione del marchio CE e dell'etichetta indicante i valori di rumorosità

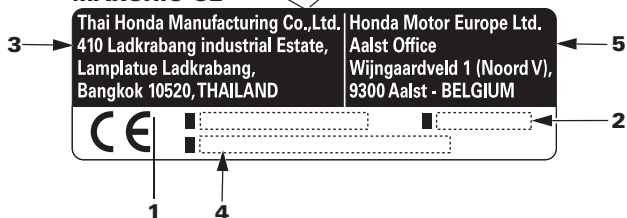
Per modello destinato al mercato europeo:

UMC425E

UMC435E



### MARCHIO CE

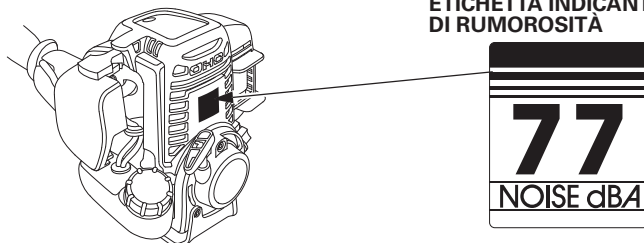


1. Modello e versione
2. Anno di fabbricazione
3. Nome e indirizzo del fabbricante
4. Numero di serie telaio
5. Nome e indirizzo del rappresentante autorizzato

\*L'etichetta indicante i valori di rumorosità è affissa agli accessori.

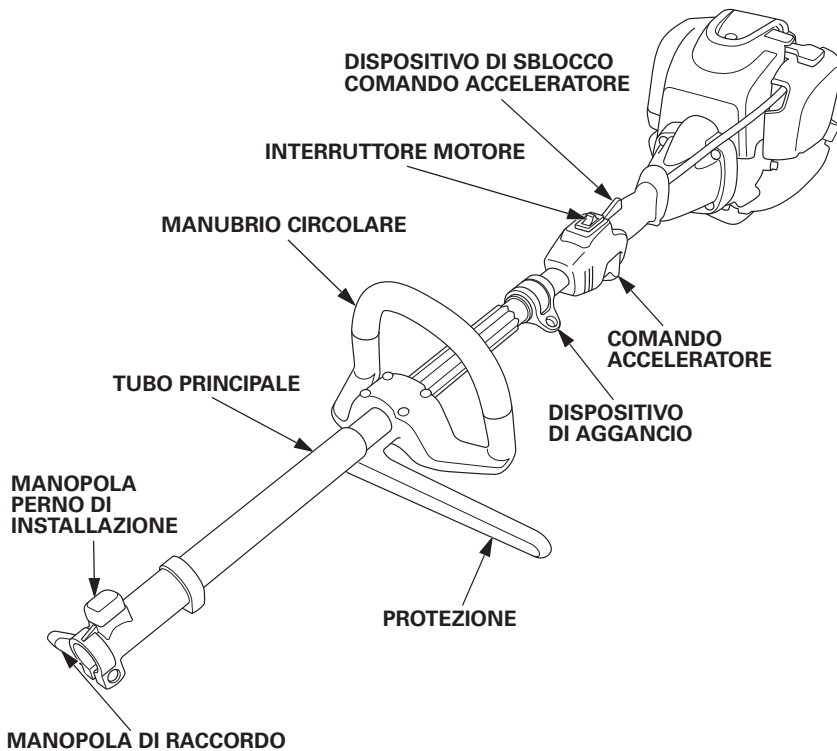
Per il modello destinato al mercato australiano:

### ETICHETTA INDICANTE I VALORI DI RUMOROSITÀ

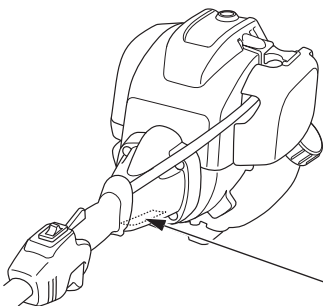


### 3. IDENTIFICAZIONE DELLE PARTI

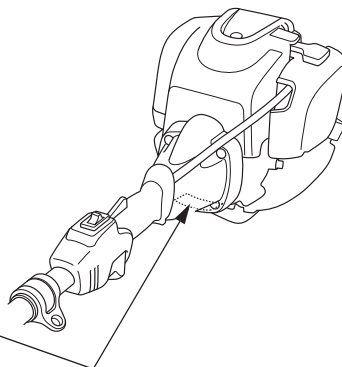
Esempio: UMC435E



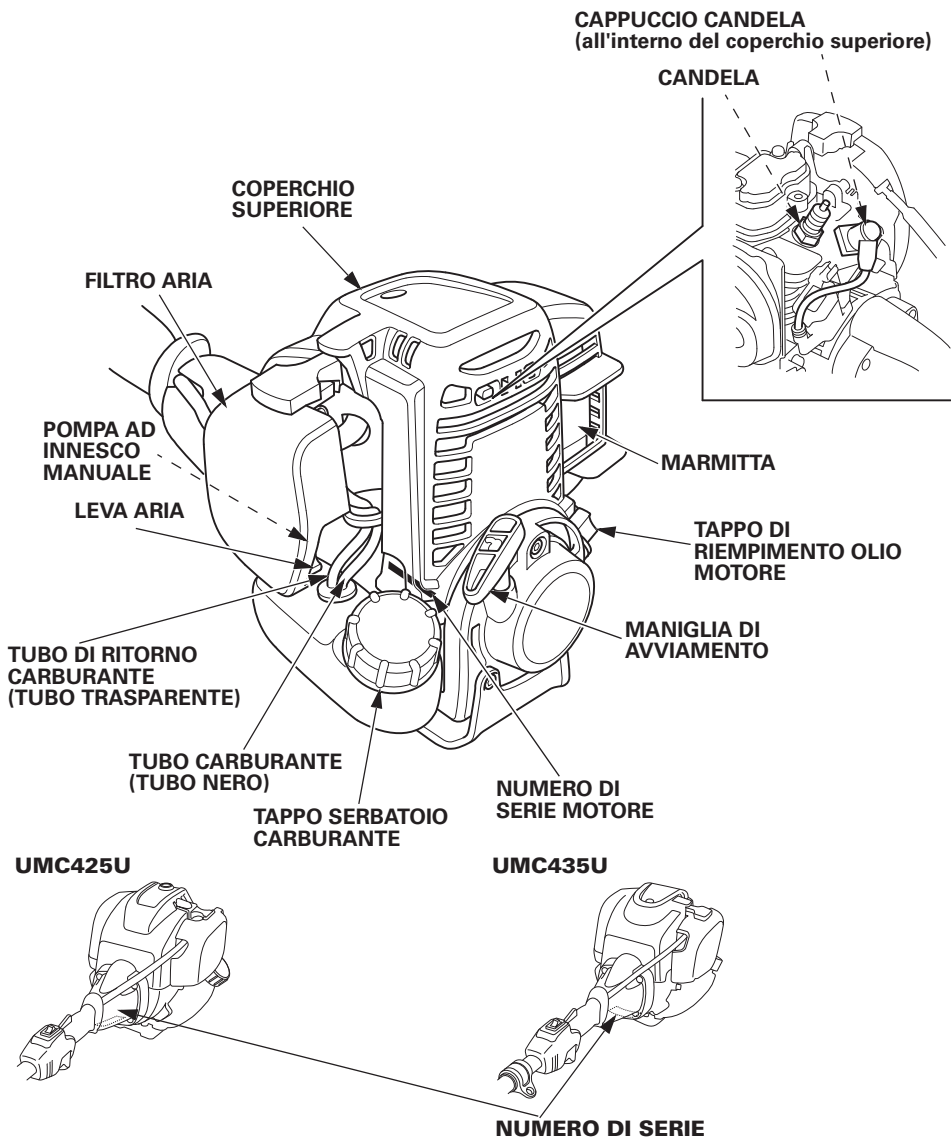
UMC425U



UMC435U



NUMERO DI SERIE TELAIO



Registrare il numero di serie del telaio (vedere pagine 12 e 13) e quello del motore nello spazio sottostante. Questi numeri saranno necessari per l'eventuale ordinazione di pezzi.

Numero di serie telaio: \_\_\_\_\_

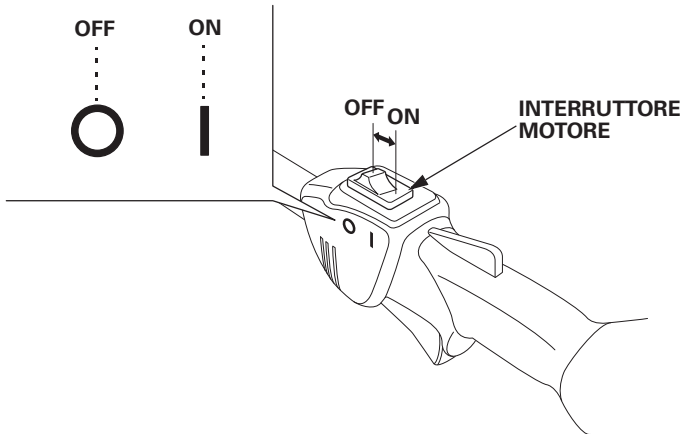
Numero di serie motore: \_\_\_\_\_

## 1. Interruttore motore

L'interruttore del motore attiva e disattiva il sistema di accensione.

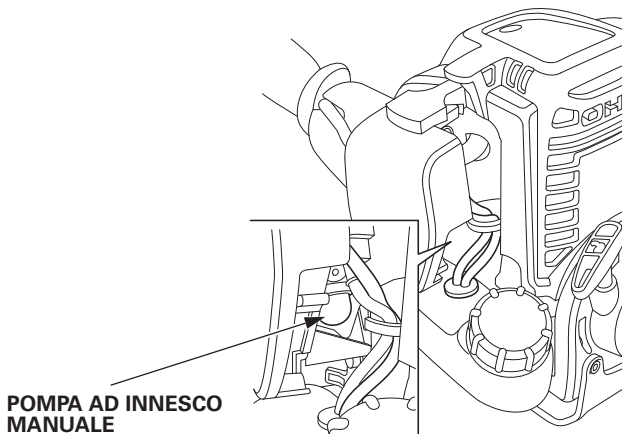
Per avviare il motore, è necessario portare l'interruttore del motore in posizione ON.

Se si porta l'interruttore del motore in posizione OFF, il motore si spegne.



## 2. Pompa ad innesco manuale

Premendo la pompa ad innesco manuale, la benzina viene alimentata dal serbatoio carburante al carburatore. Questa procedura deve essere eseguita per l'avvio del motore.

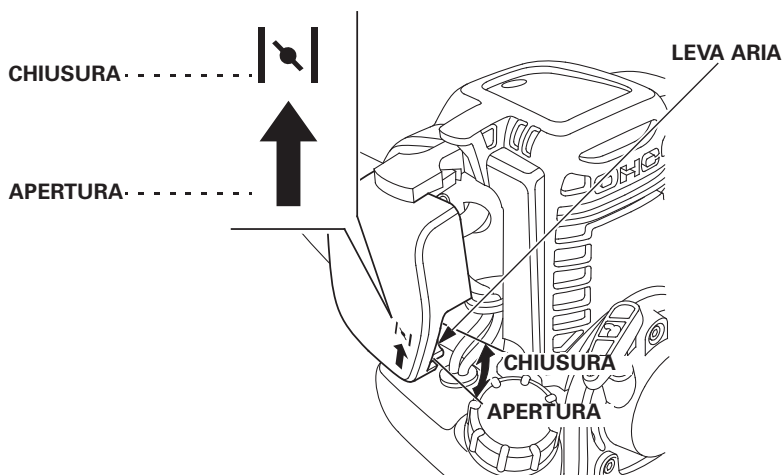


### 3. Leva dello starter

La leva dello starter apre e chiude la valvola dello starter nel carburatore.

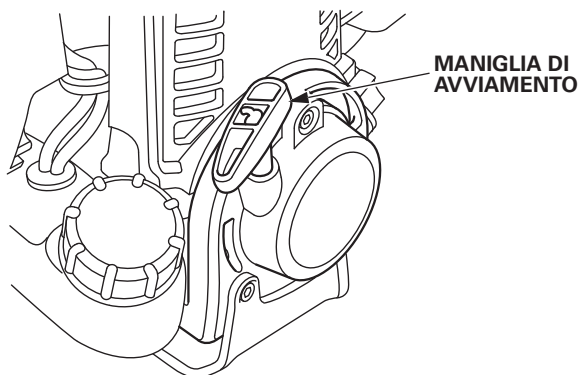
In posizione di CHIUSURA, la miscela aria-carburante viene arricchita per l'avvio del motore a freddo.

In posizione di APERTURA, viene fornita la miscela aria-carburante corretta per il funzionamento dopo l'avvio e per il riavvio del motore a caldo.



### 4. Maniglia di avviamento

Tirando la maniglia di avviamento viene azionato l'avviamento a strappo per l'avvio il motore.



## 5. Comando acceleratore

Il comando dell'acceleratore controlla il regime del motore.

È possibile aumentare o diminuire il regime del motore tirando o rilasciando il comando dell'acceleratore.

### NOTA:

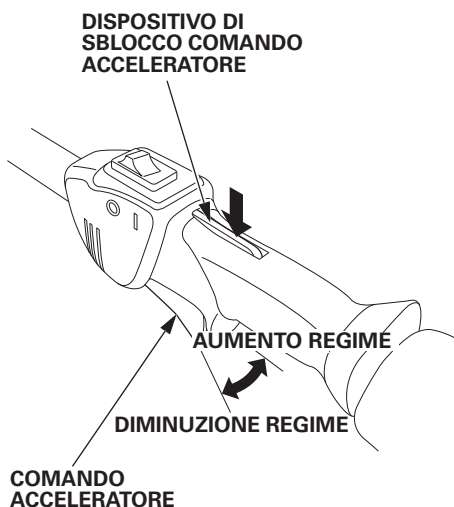
Per attivare il comando dell'acceleratore, è prima necessario premere il dispositivo di sblocco comando acceleratore.

Tirando gradualmente il comando dell'acceleratore, il regime motore aumenta. Tirare ulteriormente il comando dell'acceleratore per continuare ad aumentare il regime motore.

Rilasciando il comando dell'acceleratore, il regime motore diminuisce.

### Dispositivo di sblocco comando acceleratore:

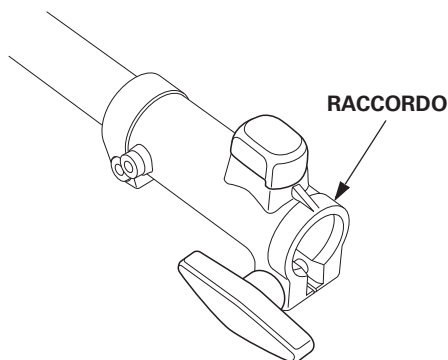
Il dispositivo di sblocco comando acceleratore consente di utilizzare il comando dell'acceleratore. È possibile tirare il comando dell'acceleratore solo dopo aver premuto il dispositivo di sblocco comando acceleratore.





## 6. Raccordo

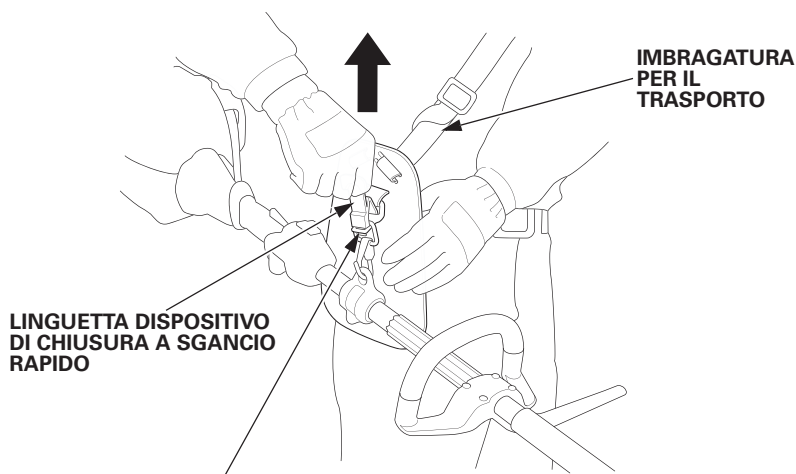
Il raccordo consente di collegare l'accessorio originale Honda al motore. Fare riferimento alle pagine 30-32 per la procedura di montaggio e di rimozione degli accessori.



## 7. Dispositivo di chiusura a sgancio rapido

La linguetta del dispositivo di chiusura a sgancio rapido consente di allontanare il motore dal proprio corpo in caso di emergenza.

Tirare verso l'alto la linguetta del dispositivo di chiusura a sgancio rapido per staccare il motore dall'imbragatura per il trasporto.



DISPOSITIVO DI CHIUSURA A SGANCIO RAPIDO

## 5. CONTROLLI PRIMA DELL'USO

Per garantire un funzionamento efficiente e in sicurezza, eseguire sempre i controlli seguenti prima dell'uso:

### ▲ ATTENZIONE

**Eseguire i controlli prima dell'uso su una superficie piana, con motore spento e interruttore del motore in posizione OFF.**

### 1. Controllo del livello dell'olio motore

#### AVVERTENZA:

**Se si lascia funzionare il motore con un basso livello dell'olio, si possono provocare seri danni al motore.**

Controllare il livello dell'olio motore prima di ogni utilizzo oppure ogni 10 ore in caso di funzionamento continuativo.

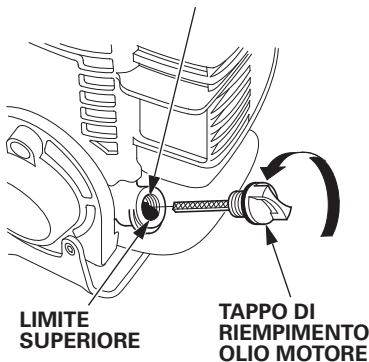
1. Posizionare il motore su una superficie in piano e rimuovere il tappo di riempimento olio.
2. Controllare il livello dell'olio. Se si trova al di sotto del limite superiore, rabboccare con olio di tipo consigliato fino al limite superiore.
3. Reinstallare saldamente il tappo di riempimento olio.

#### CAPACITÀ OLIO MOTORE

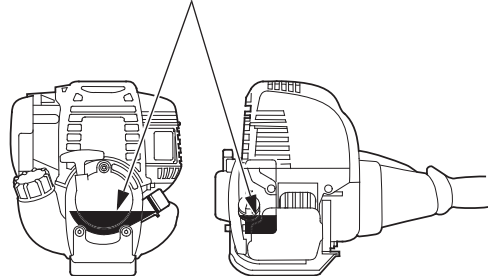
UMC425E, UMC425U: 0,08 L

UMC435E, UMC435U: 0,10 L

BOCCHETTONE DI RIEMPIMENTO OLIO



LIMITE SUPERIORE



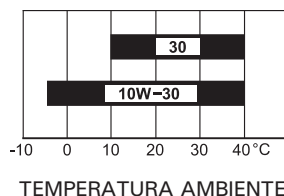
---

Usare olio per motori a 4 tempi che sia almeno conforme ai requisiti per la classificazione API SE o successive (o equivalenti). Verificare sempre l'etichetta API sul recipiente dell'olio per assicurarsi che contenga le lettere SE o delle categorie successive (o equivalenti).

SAE 10W-30 è consigliato per l'uso generico. È possibile utilizzare le altre viscosità indicate nella tabella quando la temperatura media della propria zona è compresa nell'intervallo indicato.

**AVVERTENZA:**

**L'uso di olio non detergente o di olio per motori a 2 tempi abbrevia la durata del motore.**



---

## 2. Controllo del livello di carburante

Usare benzina senza piombo con un numero di ottano RON di almeno 91 (un numero di ottano alla pompa di almeno 86).

Non usare mai benzina vecchia o contaminata o una miscela di olio e benzina. Evitare di gettare sporcizia o acqua nel serbatoio del carburante.

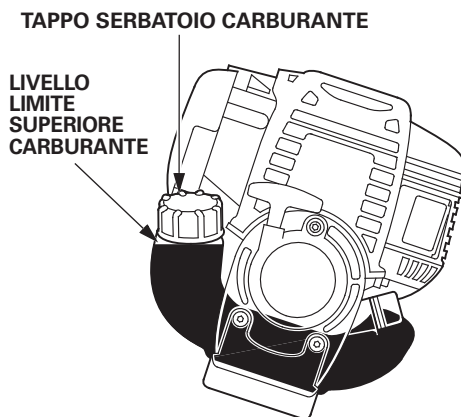
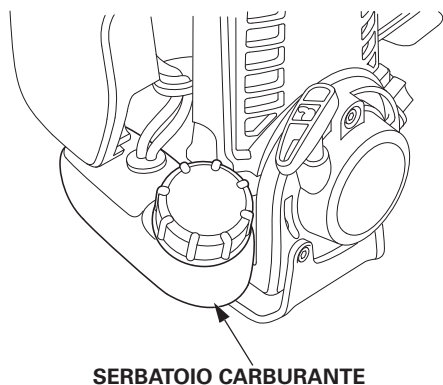
### **▲ ATTENZIONE**

- **In certe condizioni la benzina è estremamente infiammabile ed esplosiva.**
- **Fare rifornimento in un luogo ben ventilato e a motore spento. Non fumare e tenere fiamme e scintille lontane da dove si fa rifornimento o si tiene la benzina.**
- **Non riempire troppo il serbatoio del carburante (non ci deve essere carburante nel bocchettone di riempimento). Dopo il rifornimento, accertarsi di chiudere correttamente e saldamente il tappo del serbatoio.**
- **Fare attenzione a non versare benzina durante il rifornimento. Il carburante fuoriuscito o i vapori del carburante potrebbero incendiarsi. Se fuoriesce del carburante, verificare che l'area sia asciutta prima di avviare il motore.**
- **Evitare il contatto ripetuto o prolungato con la pelle ed evitare di respirare il vapore. TENERE FUORI DALLA PORTATA DEI BAMBINI.**

### **AVVERTENZA:**

**Si consiglia di non utilizzare sostituti della benzina, in quanto potrebbero danneggiare i componenti dell'impianto di alimentazione.**

1. Controllare visivamente il livello del carburante dall'esterno del serbatoio carburante mantenendo il bocchettone di riempimento carburante in posizione verticale.
2. Se il livello di carburante è basso, riempire il serbatoio carburante fino al livello indicato. Rimuovere gradualmente il tappo del serbatoio carburante per rilasciare l'aria pressurizzata presente nel serbatoio carburante. Se il tappo del serbatoio carburante viene rimosso rapidamente, il carburante che si trova nel serbatoio carburante potrebbe fuoriuscire in modo violento.



---

#### NOTA:

La benzina si deteriora molto rapidamente a causa di fattori quali l'esposizione alla luce, la temperatura e il tempo.

Nel peggiore dei casi la benzina può contaminarsi in 30 giorni.

L'uso di benzina contaminata può danneggiare seriamente il motore (ostruzione del carburatore, blocco delle valvole).

Tali danni provocati da carburante deteriorato non sono coperti dalla garanzia.

Per evitare ciò, seguire scrupolosamente le seguenti raccomandazioni:

- Usare soltanto la benzina specificata (vedere pagina 21).
- Utilizzare benzina fresca e pulita.
- Per rallentare il deterioramento, mantenere la benzina in un recipiente certificato per carburanti.
- Se si prevede un rimessaggio prolungato (più di 30 giorni), svuotare il serbatoio del carburante e il carburatore (vedere pagine 55 e 56).

#### **Benzina contenente alcol**

Se si decide di utilizzare una benzina che contiene alcol (miscela benzina-alcol), controllare che il numero di ottano sia almeno pari al valore raccomandato da Honda.

Esistono due tipi di "miscele benzina-alcol": una contenente etanolo e l'altra contenente metanolo.

Non usare miscele benzina-alcol contenenti oltre il 10% di etanolo.

Non usare benzine contenenti oltre il 5% di metanolo (alcol metilico o alcol di legno), e cosolventi e anticorrosivi specifici per metanolo.

#### NOTA:

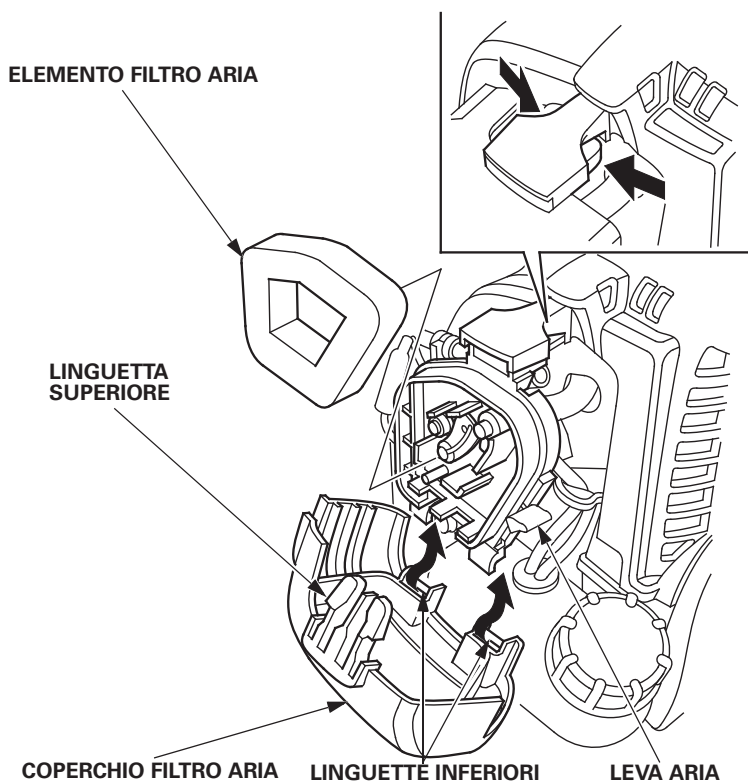
- eventuali danni all'impianto di alimentazione o problemi alle prestazioni del motore derivanti dall'uso di benzina contenente più alcol di quanto raccomandato non sono coperti dalla garanzia.
- Prima di acquistare benzina da un distributore che non si conosce, controllare se contiene alcol, di che tipo e in che percentuale.  
Se si osservano sintomi operativi indesiderati quando si utilizza una determinata benzina passare a una benzina che contenga sicuramente una percentuale di alcol inferiore a quella consigliata.

### 3. Controllo del filtro dell'aria

#### AVVERTENZA:

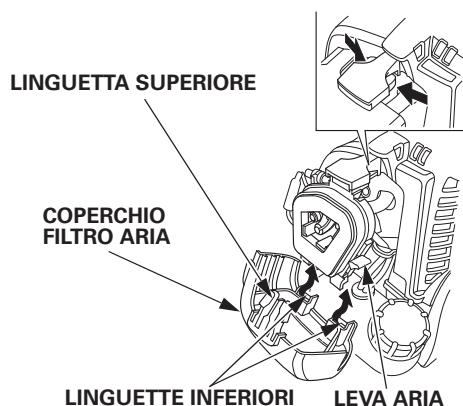
**Non avviare mai il motore senza filtro dell'aria. Si causerebbe una rapida usura del motore.**

1. Portare la leva dello starter in posizione CHIUSA (verso l'alto).
2. Rimuovere il coperchio del filtro dell'aria sganciando la linguetta superiore nella parte superiore del coperchio del filtro dell'aria e le relative linguette inferiori.
3. Controllare che l'elemento del filtro dell'aria non sia sporco oppure ostruito. Se l'elemento del filtro dell'aria è sporco, pulirlo (vedere pagina 45).
4. Reinstallare l'elemento del filtro dell'aria.
5. Reinstallare il coperchio del filtro dell'aria inserendo prima le linguette inferiori e poi la linguetta superiore.

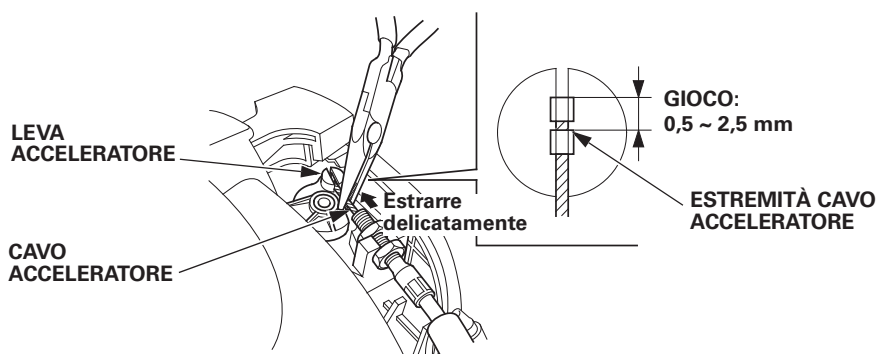


#### 4. Controllo del gioco del cavo dell'acceleratore

1. Portare la leva dello starter in posizione CHIUSA (verso l'alto).
2. Rimuovere il coperchio del filtro dell'aria sganciando la linguetta superiore nella parte superiore del coperchio del filtro dell'aria e le relative linguette inferiori.

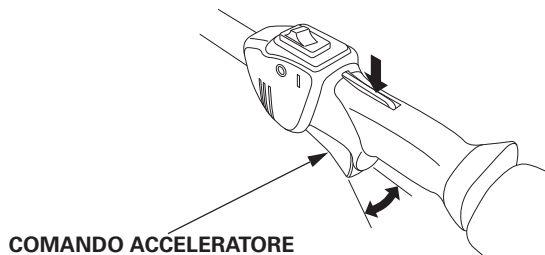


3. Estrarre delicatamente il cavo dell'acceleratore e controllare la lunghezza estesa del cavo dell'acceleratore all'estremità del cavo. Deve essere compresa tra 0,5–2,5 mm. (Non danneggiare il cavo dell'acceleratore.) Se il valore misurato non rientra nelle specifiche, eseguire la regolazione (vedere pagina 49).





- 
4. Azionare più volte l'acceleratore e controllare che ci sia gioco (la leva dell'acceleratore non si sposta quando si aziona il comando dell'acceleratore).
- Controllare che il comando dell'acceleratore funzioni regolarmente e che ritorni sempre automaticamente in posizione di riposo.



Se vengono rilevate anomalie, è necessario eseguire la manutenzione dell'acceleratore. Rivolgersi al proprio rivenditore autorizzato Honda.

## 5. Regolazione dell'imbragatura per il trasporto

### ⚠ ATTENZIONE

Indossare l'imbragatura per il trasporto prima di utilizzare il motore. In caso contrario, potrebbero verificarsi lesioni personali a causa dell'instabilità del motore.

1. Indossare l'imbragatura per il trasporto in modo che la protezione per le anche si trovi sul lato destro del corpo.
  - Assicurarsi che l'imbragatura non si avvolga.
  - Se si indossa un'imbragatura bispalla, fissare il dispositivo di chiusura a sgancio rapido davanti a sé finché non si avverte uno scatto. Per aprire il dispositivo di chiusura dell'imbragatura per il trasporto, tirare l'imbragatura a destra e a sinistra premendo contemporaneamente il dispositivo di chiusura.

Imbragatura bispalla  
(UMC435E · UMC435U)



PROTEZIONE PER LE ANCHE  
DISPOSITIVO DI CHIUSURA IMBRAGATURA PER IL TRASPORTO

Imbragatura monospalla  
(UMC425E)



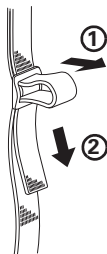
PROTEZIONE PER LE ANCHE

Imbragatura monospalla  
(UMC425U)



2. Regolare la lunghezza dell'imbragatura come indicato nelle figure seguenti.

Per accorciare



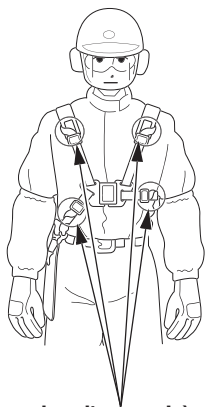
Per allungare



---

3. Arrotolare l'estremità dell'imbragatura verso di sé e fissarla al corpo.

(UMC435E · UMC435U)



**Arrotolare l'estremità dell'imbragatura e fissarla. (Non è possibile fissare l'estremità dell'imbracatura sul dorso)**

(UMC425E)



(UMC425U)

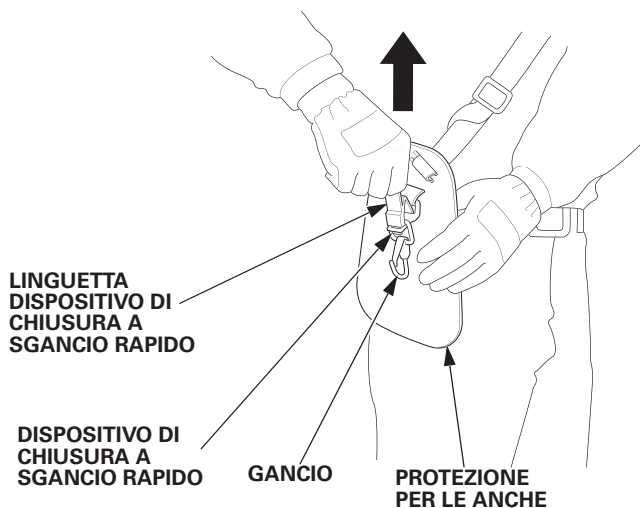


**Arrotolare l'estremità dell'imbragatura e fissarla.**

---

## 6. Controllo del dispositivo di chiusura a sgancio rapido

1. Indossare l'imbragatura per il trasporto.
2. Controllare che il dispositivo di chiusura si apra tirando verso la linguetta del dispositivo di chiusura a sgancio rapido e tenendo la protezione per le anche con la mano sinistra.
3. Inserire la linguetta del dispositivo di chiusura a sgancio rapido nell'apertura del dispositivo di chiusura a sgancio rapido per fissare di nuovo il motore all'imbragatura per il trasporto.



Se il dispositivo di chiusura non si apre, il rivenditore dovrà eseguirne il controllo e la riparazione.

## 7. Installazione/rimozione dell'accessorio

### Controllare l'area del raccordo:

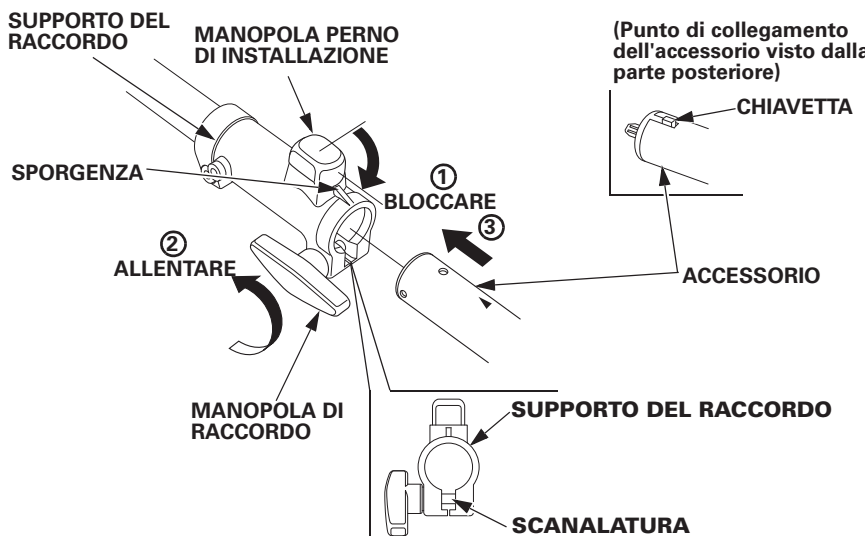
1. Controllare se la manopola del perno di installazione si muove scorrevolmente.
2. Controllare se la manopola di raccordo si serra e si allenta scorrevolmente e che non vi sia alcun danno.
3. Verificare che non vi siano detriti nella scanalatura e all'interno del supporto del raccordo.

### Installazione:

#### ▲ ATTENZIONE

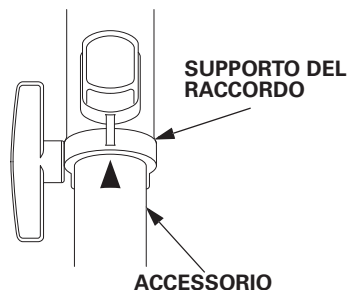
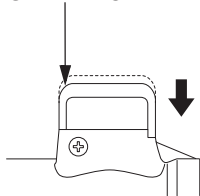
**Non avviare il motore prima di aver collegato l'accessorio. In caso contrario, potrebbero verificarsi lesioni personali, ad esempio in caso di contatto delle dita con l'apertura del raccordo.**

1. Portare la manopola del perno di installazione nella posizione di blocco e allentare il perno di installazione.
2. Allineare il contrassegno "▲" sull'accessorio con la sporgenza del raccordo, oppure allineare la chiavetta dell'accessorio con la scanalatura del raccordo.

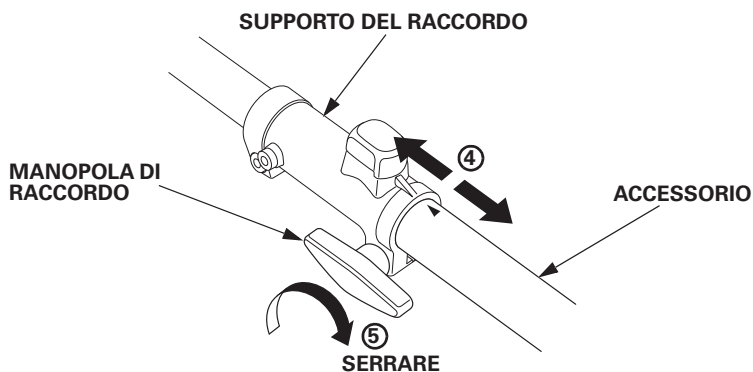


3. Inserire l'accessorio finché la manopola del perno di installazione non scatta. Verificare che il contrassegno " ▲ " sull'accessorio sia all'estremità del supporto del raccordo.

MANOPOLA PERNO DI  
INSTALLAZIONE



4. Tirare l'accessorio e il supporto del raccordo nella direzione indicata dalla freccia per verificare che l'accessorio non si stacchi.  
5. Serrare la manopola di raccordo.



#### AVVERTENZA:

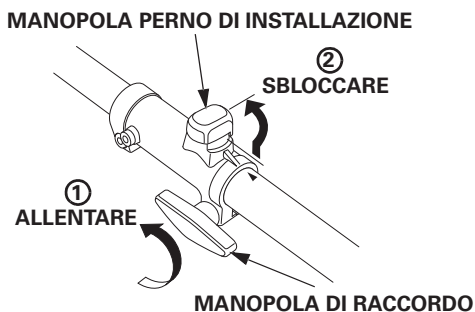
Quando si posiziona il motore con l'avviamento a strappo rivolto verso il basso, evitare che l'avviamento a strappo subisca urti. L'avviamento a strappo o il motore potrebbero subire danni dovuti all'urto.

## Rimozione:

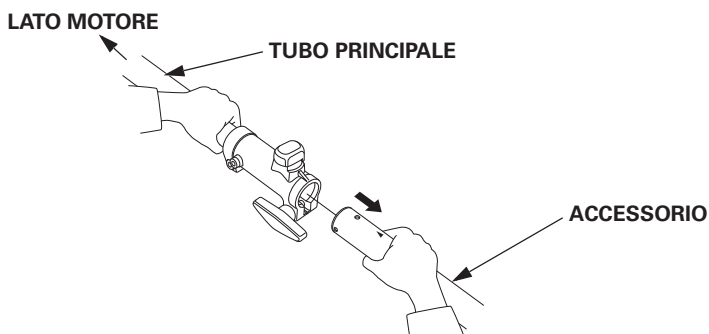
### ⚠ ATTENZIONE

Accertarsi di portare l'interruttore del motore in posizione OFF. Verificare che il motore e l'accessorio siano completamente fermi prima di staccare l'accessorio. Se l'accessorio è ancora in movimento, possono verificarsi lesioni personali o danni alle attrezzature.

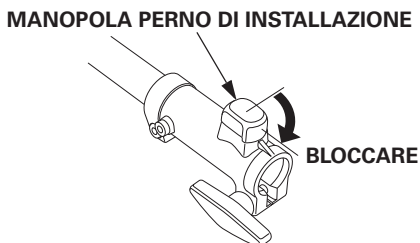
1. Allentare la manopola di raccordo.
2. Portare la manopola del perno di installazione nella posizione di sblocco.



3. Bloccare il tubo principale sul lato del motore e rimuovere l'accessorio.



4. Portare la manopola del perno di installazione nella posizione di blocco.

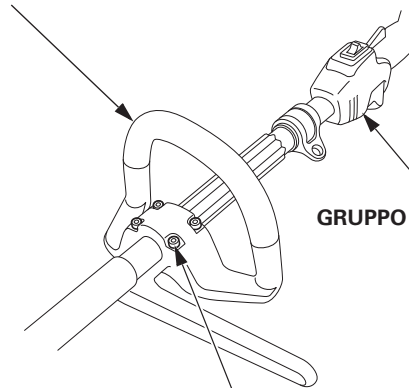


---

## 8. Controllare tutti i bulloni e dadi

1. Controllare che tutti i dadi e bulloni non siano allentati. Serrarli saldamente se necessario.
2. Controllare se la maniglia presenta bulloni o viti di fissaggio allentati e serrarli saldamente se necessario.

MANUBRIO CIRCOLARE



GRUPPO ACCELERATORE

VITI DI FISSAGGIO MANUBRIO (4)



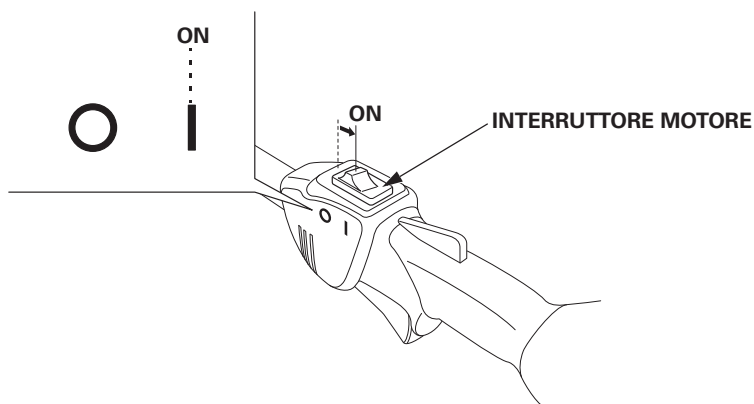
## 6. AVVIAMENTO DEL MOTORE

---

### ⚠ ATTENZIONE

- I gas di scarico contengono monossido di carbonio. Non avviare mai il motore in un ambiente chiuso. Provvedere ad una ventilazione adeguata.
- Avviare il motore in un posto lontano da persone, animali e edifici. Controllare che non ci siano ostacoli nell'area di lavoro.

1. Girare l'interruttore del motore sulla posizione ON.

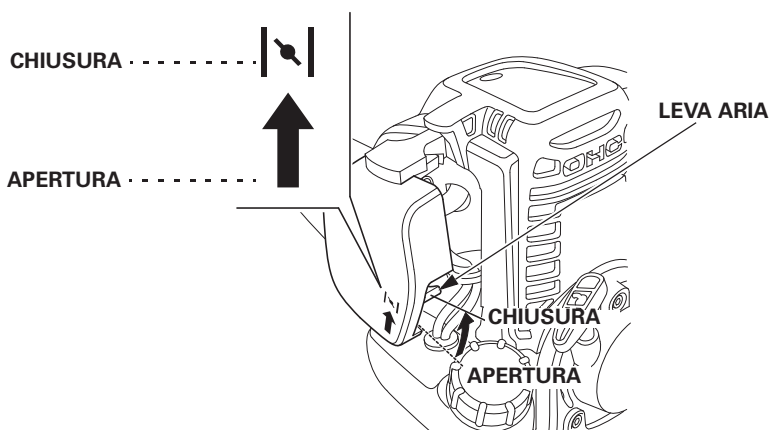


- 
2. Per avviare un motore freddo, portare la leva dello starter in posizione CHIUSA.

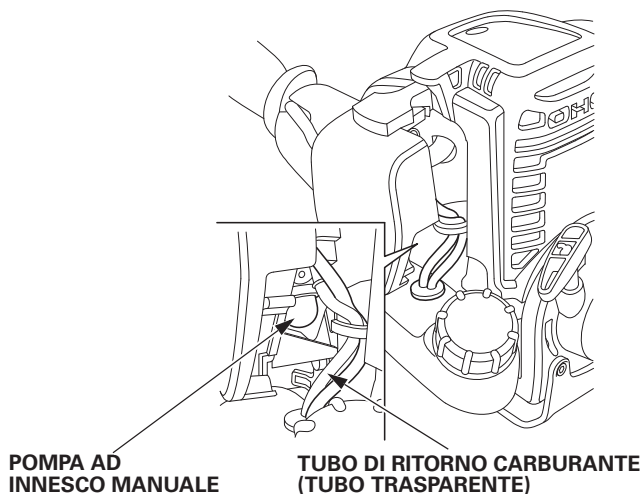
Per riavviare un motore caldo, lasciare la leva dello starter in posizione APERTA.

**NOTA:**

Non utilizzare la leva dello starter se il motore è caldo o alle alte temperature.



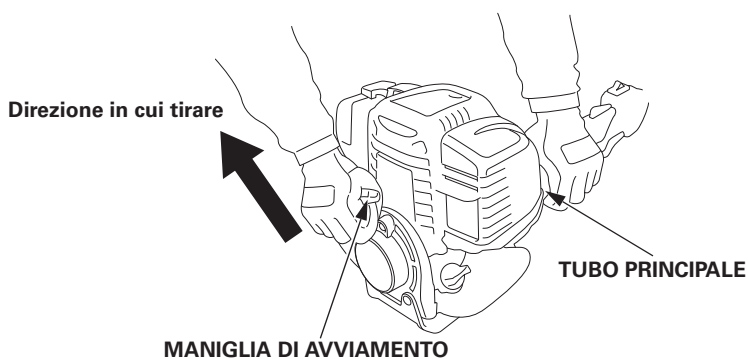
3. Premere la pompa a innesco manuale diverse volte fino a quando il flusso sia visibile nel tubo (trasparente) di ritorno carburante.



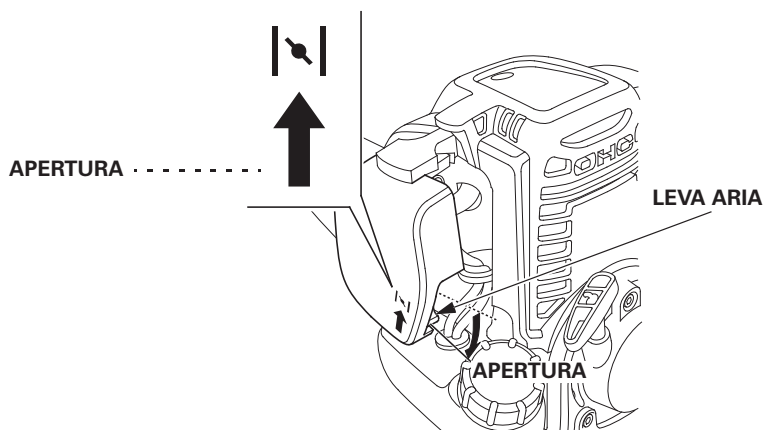
- 
4. Tirare leggermente la maniglia di avviamento fino ad avvertire una resistenza mentre si tiene bloccato il tubo principale, quindi tirare energicamente nella direzione della freccia come indicato di seguito. Rilasciare la maniglia di avviamento delicatamente.

**AVVERTENZA:**

- **Non lasciare che la maniglia di avviamento scatti indietro urtando contro il motore. Rilasciarla delicatamente per evitare di danneggiare il motorino di avviamento.**
- **Se la maniglia di avviamento viene tirata quando il motore è in marcia, potrebbero verificarsi danni.**



5. Se la leva dello starter è stata messa in posizione CHIUSA, spostarla gradualmente in posizione APERTA mano a mano che il motore si scalda.



---

## **Modifica del carburatore per funzionamento ad alta quota.**

Ad alta quota, la miscela standard aria-carburante nel carburatore sarà troppo ricca. Le prestazioni diminuiscono ed il consumo di carburante aumenta. Inoltre, una miscela molto ricca imbratta le candele e causa difficoltà di avviamento. L'uso prolungato a un'altitudine differente da quella di certificazione del motore può aumentare le emissioni di scarico.

Le prestazioni ad alta quota si possono migliorare tramite specifiche modifiche al carburatore. Se si usa sempre la motozappa ad altitudini superiori a 1.500 metri, far modificare il carburatore dal concessionario. Il motore, quando usato ad alta quota con il carburatore appositamente modificato, sarà conforme a tutti gli standard sulle emissioni per tutta la vita utile.

Anche con le modifiche al carburatore, la potenza del motore diminuirà di circa il 3,5% per ogni 300 metri di altitudine. L'effetto dell'altitudine sulla potenza del motore sarebbe comunque maggiore qualora non venissero eseguite le modifiche al carburatore.

### **AVVERTENZA:**

**Quando il carburatore è stato modificato per l'uso ad alta quota, la miscela aria-carburante sarà troppo povera per essere usata a bassa quota. Il funzionamento ad altitudini inferiori a 1.500 metri con un carburatore modificato potrebbe provocare il surriscaldamento del motore con gravi danni al motore stesso. Per l'uso a bassa quota, richiedere al rivenditore di riportare il carburatore alle specifiche originali di fabbrica.**

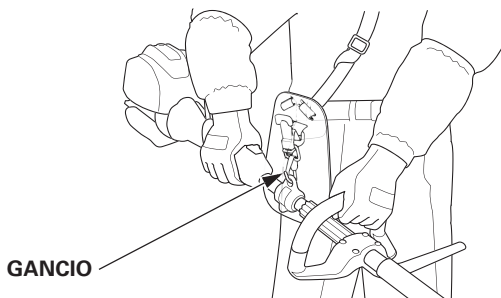
## 7. FUNZIONAMENTO

---

Prima di azionare il motore, leggere e comprendere le istruzioni di sicurezza alle pagine da 3 a 10.

In caso di suoni, odori o vibrazioni anomali oppure altri segni insoliti, arrestare il motore immediatamente e consultare un concessionario autorizzato Honda.

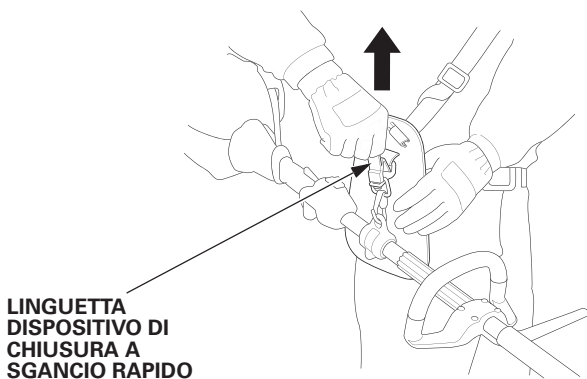
Con il motore al minimo, agganciare il motore all'imbragatura per il trasporto e tenere il motore nella posizione corretta.



Tenere saldamente il motore con entrambe le mani, con le dita e pollici attorno alle maniglie come indicato. Ciò consente di avere il motore sempre sotto controllo.

Per l'utilizzo degli accessori, leggere attentamente e attenersi alle istruzioni contenute nel manuale d'uso fornito insieme a ciascun accessorio.

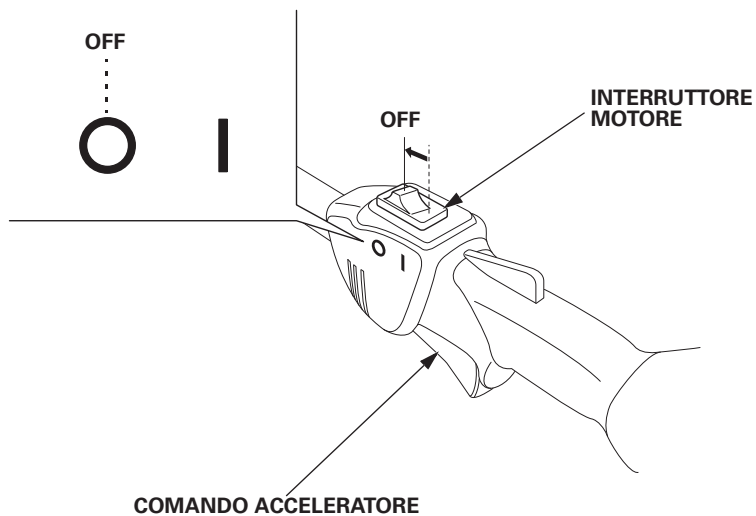
In caso di emergenza, tirare verso l'alto la linguetta del dispositivo di chiusura a sgancio rapido per staccare il motore dall'imbragatura per il trasporto.



## 8. ARRESTO DEL MOTORE

---

1. Rilasciare il comando dell'acceleratore.
2. Portare l'interruttore del motore in posizione OFF.



## 9. MANUTENZIONE

---

### **▲ ATTENZIONE**

- **Prima di effettuare qualsiasi manutenzione, posizionare il motore su una superficie piana. Arrestare il motore e controllare che l'interruttore del motore sia in posizione OFF per accertarsi che il motore non si avvii accidentalmente.**
- **Le manutenzioni sul motore devono essere eseguite da un concessionario Honda autorizzato, a meno che non si disponga degli attrezzi adatti e conoscenze meccaniche qualificate.**

### **AVVERTENZA:**

**Per manutenzione o riparazione, usare solo ricambi originali Honda o equivalenti. Ricambi non equivalenti possono danneggiare il motore.**

I controlli periodici e le regolazioni dei modelli UMC425E, UMC435E, UMC425U e UMC435U Honda sono fondamentali se si desidera mantenere un elevato livello di prestazioni. Una manutenzione regolare contribuisce anche a prolungarne la durata di servizio. Nella tabella riportata nella pagina seguente sono indicati gli intervalli ed il tipo di manutenzione richiesti 41.

## Programma di manutenzione

PERIODO DI ASSISTENZA REGOLARE (1) Effettuare ad ogni intervallo di mesi od ore di funzionamento indicato, quello che arriva prima.		A ciascun utilizzo	Primo mese oppure 10 ore.	Ogni 3 ore mesi oppure 25 ore.	Ogni 6 ore mesi oppure 50 ore.	Ogni anno oppure 100 ore.	Ogni 2 anni oppure 300 ore.	Fare riferi- mento a pagina
ELEMENTO								
Olio motore	Controllare il livello	o						19
	Sostituire		o		o			43
Filtro aria	Controllare	o						24
	Pulire			o (3)				45, 46
Candela	Controllare- regolare					o		47
	Sostituire						o	
Cavo acceleratore	Controllare	o						25, 49
Comando acceleratore	Controllare- pulire	o						26
Alette di raffreddamento motore	Controllare- pulire				o			51
Sgancio rapido dell'imbragatura a spalla	Controllare	o						29
Manopola del perno di installazione	Controllare	o						30
Manopola di ricordo	Controllare	o						30
Attorno al supporto del ricordo	Controllare	o						30
Dadi, bulloni, dispositivi di fissaggio Controllare (Serrare nuovamente se necessario)		o						33
Serbatoio carburante	Pulire					o		52
Filtro carburante	Pulire					o		52
Ganasce della frizione	Controllare				o (2)			-
Regime minimo	Controllare- regolare					o (2)		-
Gioco valvola	Controllare- regolare					o (2)		-
Cinghia della distribuzione	Controllare	Dopo ogni 300 ore (2)(4)						-
Camera di combustione	Pulire	Ogni 300 ore (2)						-
Tubi carburante	Controllare	Ogni 2 anni (sostituire se necessario.) (2)						-
Tube dell'olio	Controllare	Ogni 2 anni (sostituire se necessario.) (2)						-

### NOTA:

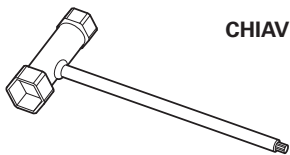
- (1) Per l'uso commerciale professionale, registrare le ore di servizio per stabilire i corretti intervalli di manutenzione.
- (2) La manutenzione di questi componenti deve essere effettuata dal proprio rivenditore Honda, a meno che non si disponga degli attrezzi adatti e conoscenze meccaniche qualificate. Fare riferimento al Manuale d'Officina Honda per le procedure di manutenzione.
- (3) Quando si utilizza il rasaerba in zone polverose, eseguire le operazioni di assistenza con maggiore frequenza.
- (4) Controllare che la cinghia non presenti fessure e usura anomala, nel qual caso sostituirla.



---

## Kit attrezzi

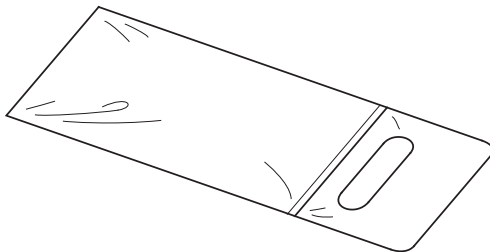
Gli attrezzi forniti sono necessari per seguire alcune manutenzioni periodiche, regolazioni e riparazioni semplici.



**CHIAVE PER CANDELA**



**CHIAVE ESAGONALE da 4 mm**



**BORSA ATTREZZI**  
(solo UMC425U e UMC435U)

## 1. Cambio olio motore

### AVVERTENZA:

Se il motore era in funzione, l'olio, il silenziatore e il motore stesso sono molto caldi e rimarranno caldi ancora un po' dopo l'arresto del motore. Per evitare scottature, attendere che si raffreddino prima di cambiare l'olio.

### NOTA:

Scaricare l'olio quando il motore è caldo, per assicurare uno scarico rapido e completo.

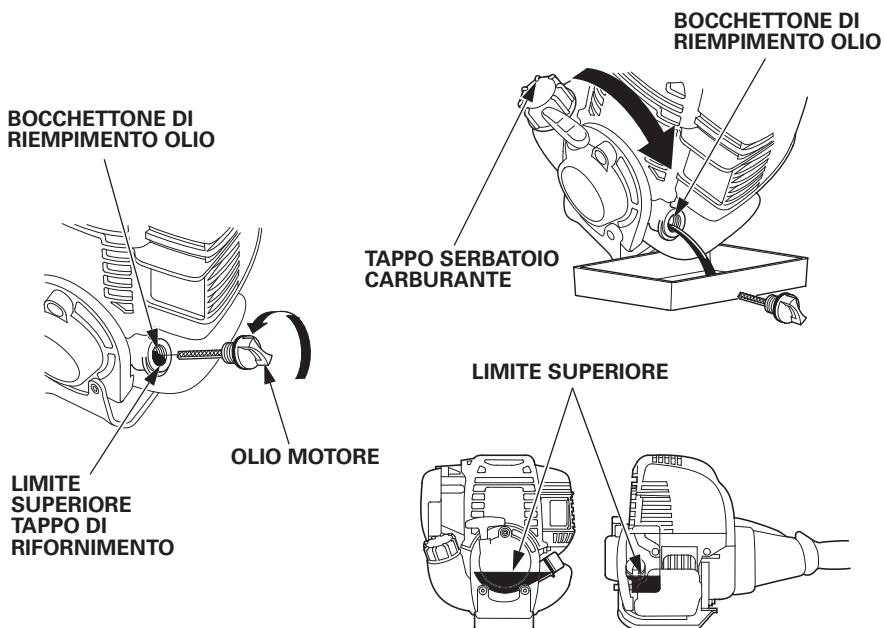
1. Controllare che il tappo del serbatoio carburante sia serrato.
2. Rimuovere il tappo di riempimento olio e scaricare l'olio in un recipiente inclinando il motore verso il bocchettone di riempimento olio.
3. Rabboccare con l'olio consigliato (vedere pagina 20) e controllare il livello dell'olio (vedere pagina 19).
4. Reinstallare saldamente il tappo di riempimento olio.

### CAPACITÀ OLIO MOTORE:

UMC425E, UMC425U: 0,08 L

UMC435E, UMC435U: 0,10 L

Dopo aver maneggiato l'olio usato, lavare le mani con acqua e sapone.



---

**NOTA:**

Smaltire l'olio motore usato rispettando l'ambiente. Trasportarlo in un contenitore sigillato alla stazione di rifornimento locale. Non gettarlo nella spazzatura o rovesciarlo a terra.

## 2. Manutenzione del filtro dell'aria

Un filtro dell'aria sporco limita il flusso d'aria verso il carburatore. Per evitare malfunzionamenti del carburatore, pulire regolarmente il filtro dell'aria. Pulirlo con maggiore frequenza quando si utilizza il motore in aree estremamente polverose.

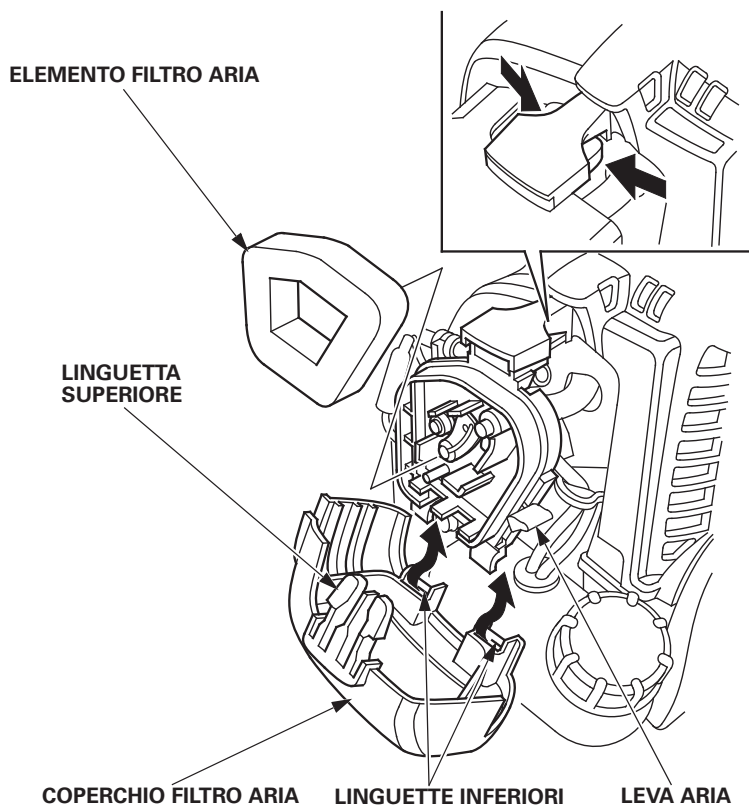
### ⚠ ATTENZIONE

**Non usare mai benzina o solventi a basso punto di infiammabilità per pulire l'elemento del filtro dell'aria. Ciò potrebbe causare un incendio o un'esplosione.**

### AVVERTENZA:

**Non avviare mai il motore senza filtro dell'aria. Si causerebbe una rapida sura del motore.**

1. Portare la leva dello starter in posizione CHIUSA (verso l'alto).
2. Rimuovere il coperchio del filtro dell'aria sganciando la linguetta superiore nella parte superiore del coperchio del filtro dell'aria e le relative linguette inferiori.



- 
3. Pulire in acqua saponata tiepida, risciacquare e lasciarlo asciugare completamente. Oppure pulire o con solvente ad alto punto di infiammabilità e lasciarlo asciugare. Immergere l'elemento in olio motore pulito e strizzarlo per far uscire l'olio in eccesso. Se nell'elemento in schiuma rimane troppo olio, il motore emetterà una fumo al primo avviamento.

Pulire

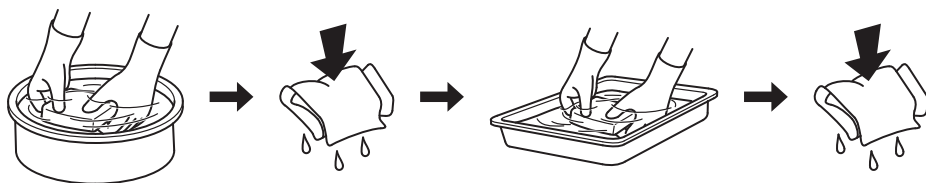
Strizzare e asciugare

Immergere nell'olio

Strizzare

Non torcere.

Non torcere.



4. Reinstallare l'elemento del filtro dell'aria.  
5. Reinstallare il coperchio del filtro dell'aria inserendo prima le linguette inferiori e poi la linguetta superiore.

### 3. Manutenzione della candela

**Candela consigliata:** CMR5H (NGK)

Per assicurare il funzionamento corretto del motore, la distanza tra gli elettrodi deve essere corretta ed esente da depositi.

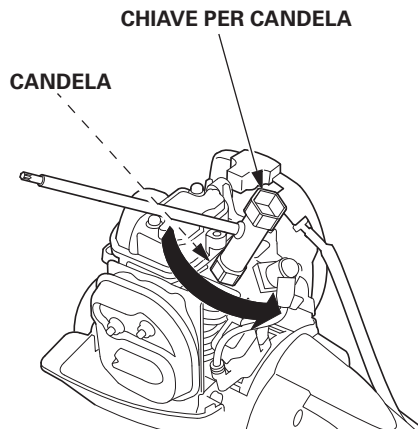
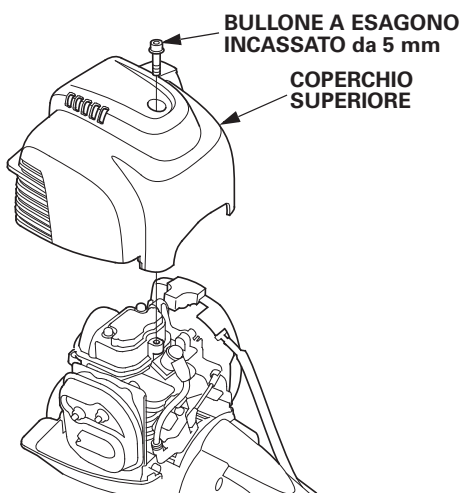
**⚠ ATTENZIONE**

**Se il motore era in funzione, il silenziatore sarà rovente, prestare attenzione a non toccarlo.**

**AVVERTENZA:**

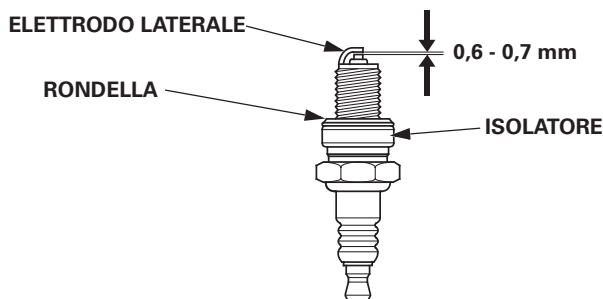
**Non utilizzare mai una candela con valori limite di riscaldamento non adeguati.**

1. Allentare il bullone ad esagono incassato 5 mm con l'apposita chiave, quindi rimuovere il coperchio superiore.
2. Rimuovere il cappuccio della candela ed utilizzare una chiave per candele di dimensioni adeguate per rimuoverla.

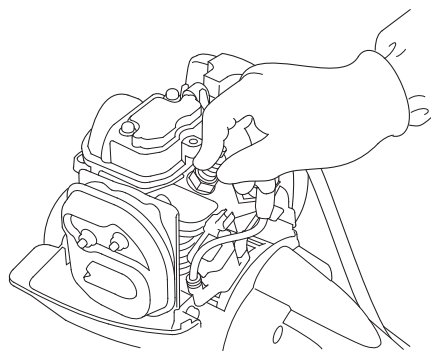


3. Controllare visivamente la candela. Sostituirla se risulta apparentemente usurata o se l'isolatore è rotto o scheggiato. Se si riutilizza la candela, pulirla con una spazzola metallica.

- 
4. Misurare la distanza tra gli elettrodi con uno spessore.  
Se necessario, correggerla piegando con cautela l'elettrodo laterale.  
La distanza deve essere: 0,6 – 0,7 mm



5. Controllare che la rondella della candela sia in buone condizioni e avvitare manualmente la candela per assicurarsi che l'avvitamento sia corretto.  
6. Quando la candela è in sede, serrare con una chiave per candela per comprimere la rondella.



**NOTA:**

Se si installa una nuova candela, serrare di mezzo giro dopo che la candela si è inserita, per comprimere la rondella. Se si installa una nuova candela, serrare di mezzo 1/8 – 1/4 di giro dopo che la candela si è inserita, per comprimere la rondella.

**AVVERTENZA:**

**La candela deve essere saldamente serrata. Una candela non correttamente serrata può surriscaldarsi e danneggiare il motore.**

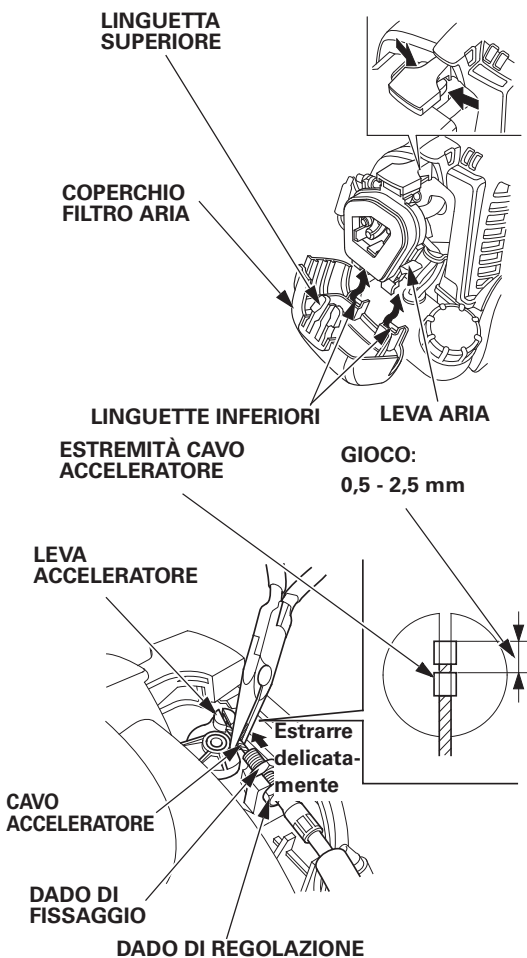
7. Installare il cappuccio della candela.  
8. Installare il coperchio superiore e serrare saldamente il bullone a esagono incassato da 5 mm con una chiave esagonale.

#### 4. Controllo e regolazione cavo dell'acceleratore

Controllare adeguatamente il gioco del cavo dell'acceleratore.

##### Regolazione:

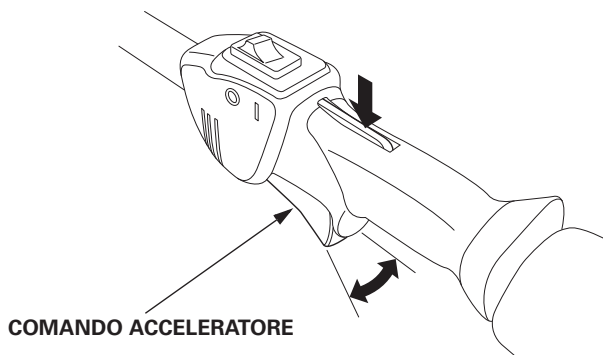
1. Portare la leva dello starter in posizione CHIUSA (verso l'alto).
2. Rimuovere il coperchio del filtro dell'aria sganciando la linguetta superiore nella parte superiore del coperchio del filtro dell'aria e le relative linguette inferiori.
3. Estrarre delicatamente il cavo dell'acceleratore e ruotare il dado di regolazione per controllare la lunghezza estesa del cavo dell'acceleratore all'estremità del cavo 0,5 – 2,5 mm. (Non danneggiare il cavo dell'acceleratore.)





- 
- Serrare saldamente il dado di fissaggio del cavo dell'acceleratore.
  - Azionare più volte l'acceleratore e controllare che ci sia gioco (la leva dell'acceleratore non si sposta quando si aziona il comando dell'acceleratore).

Dopo la regolazione, controllare che il comando dell'acceleratore funzioni regolarmente. Se necessario, rivolgersi al proprio rivenditore autorizzato Honda.



- Reinstallare il coperchio del filtro dell'aria inserendo prima le linguette inferiori e poi la linguetta superiore.

#### **AVVERTENZA:**

- **Dopo avere rimosso il coperchio del filtro dell'aria, reinstallarlo saldamente.**

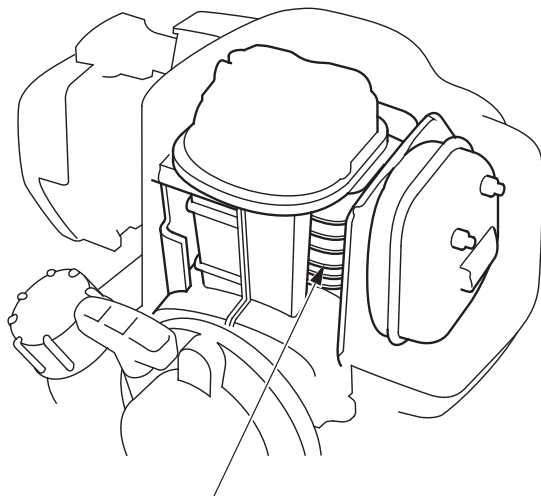
**Se il coperchio non viene serrato saldamente potrebbe spostarsi a causa delle vibrazioni o di qualche guasto del motore.**

- **L'azionamento del motore senza il filtro aria o con il filtro aria installato non correttamente può provocare la penetrazione di polvere all'interno del motore, danneggiandolo.**

---

## 5. Controllo alette di raffreddamento motore

Controllare visivamente le alette di raffreddamento attraverso il coperchio. Se ci sono foglie, erba secca o ostruzioni da fango, consultare il proprio concessionario autorizzato Honda per la pulizia.



**ALETTE DI RAFFREDDAMENTO**  
(all'interno del coperchio superiore)

## 6. Manutenzione filtro carburante/pulizia serbatoio carburante

Un filtro carburante ostruito può ridurre le prestazioni del motore.

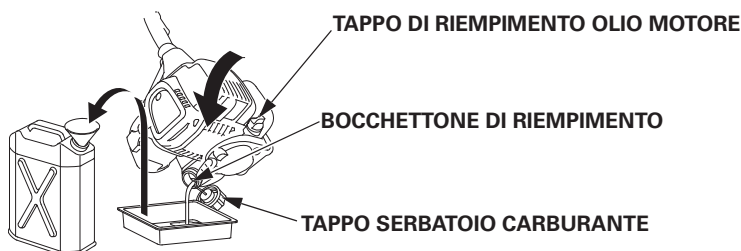
Acqua e polvere, sporco o materiali estranei nel serbatoio del carburante possono ridurre le prestazioni del motore.

### ▲ ATTENZIONE

**In certe condizioni la benzina è estremamente infiammabile ed esplosiva. Quando si maneggia il carburante è possibile ustionarsi o subire gravi lesioni. Quando si effettua la manutenzione del filtro carburante o la pulizia del serbatoio osservare quanto segue.**

- Arrestare il motore.
- Eseguire i controlli in un'area ben ventilata.
- Tenere lontano fonti di calore, scintille e fiamme. Non fumare.
- Non lasciar fuoriuscire la benzina. Se la benzina fuoriesce, asciugarla immediatamente e smaltire lo straccio o il panno utilizzato per asciugarla nel rispetto delle normative ambientali vigenti.

1. Verificare che il tappo di riempimento olio del motore sia saldamente serrato.
2. Rimuovere il tappo del serbatoio carburante e scaricare la benzina in un recipiente inclinando il motore verso il bocchettone di riempimento.



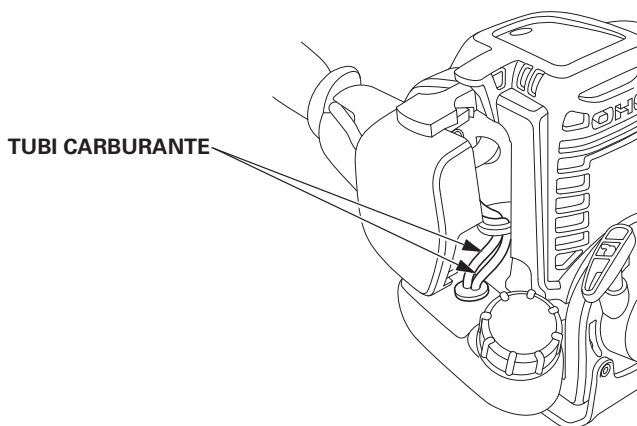
3. Con un filo da meccanico, estrarre delicatamente il filtro del carburante dal bocchettone di riempimento.
4. Controllare se il filtro carburante è contaminato. Se il filtro carburante è sporco, lavarlo delicatamente con solvente non infiammabile o ad alto punto di infiammabilità. Se il filtro carburante è eccessivamente sporco, sostituirlo.



- 
5. Rimuovere acqua e sporcizia nel serbatoio del carburante risciacquandone l'interno con solvente non infiammabile o ad alto punto di infiammabilità.
  6. Reinstallare il filtro carburante nel serbatoio carburante e serrare saldamente il tappo del serbatoio carburante.

## 7. Controllo tubi carburante

Controllare se i tubi del carburante presentano incrinature o altri segni di deterioramento e verificare che non ci siano perdite di carburante dai tubi. In caso di sintomi anomali sui tubi del carburante, contattare un concessionario autorizzato Honda.



## 10. TRASPORTO

---

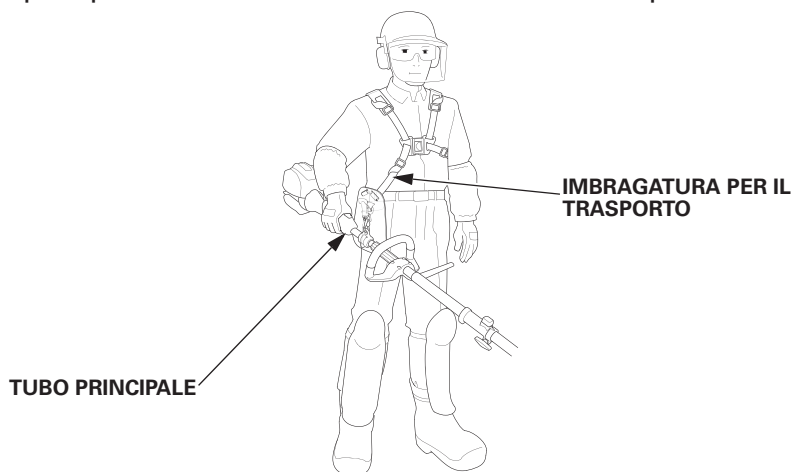
### AVVERTENZA:

**Per evitare gravi ustioni o rischi di incendi, lasciar raffreddare il motore prima di effettuare il trasporto.**

Portare sempre l'interruttore del motore in posizione OFF. Verificare che il tappo del serbatoio del carburante sia saldamente serrato.

Trasporto manuale del motore:

Fissarlo all'imbragatura per il trasporto oppure afferrare il tubo principale per evitare sbilanciamenti durante il trasporto.



Trasporto del motore su un veicolo:

Posizionare il motore su una superficie piana e fissarlo in modo da evitarne il movimento o la caduta.

Una corretta preparazione al rimessaggio è fondamentale per evitare che il motore subisca danni, sia interni sia esterni. Le procedure seguenti consentono di evitare che la ruggine e la corrosione danneggino il motore.

## AVVERTENZA:

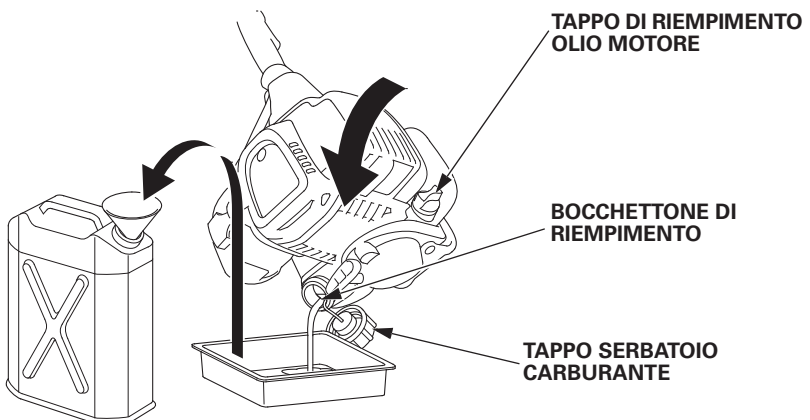
- **Se il motore era in funzione, la temperatura sarà elevata; lasciare raffreddare prima di procedere.**
- **Posizionare il motore su una superficie piana e controllare che l'interruttore del motore sia in posizione OFF per accertarsi che il motore non si avvii accidentalmente.**

1. Pulire tutte le superfici esterne, ritoccare la vernice danneggiata e applicare un leggero strato di olio sulle altre parti che potrebbero essere soggette a ruggine.
2. Scaricare il carburante.

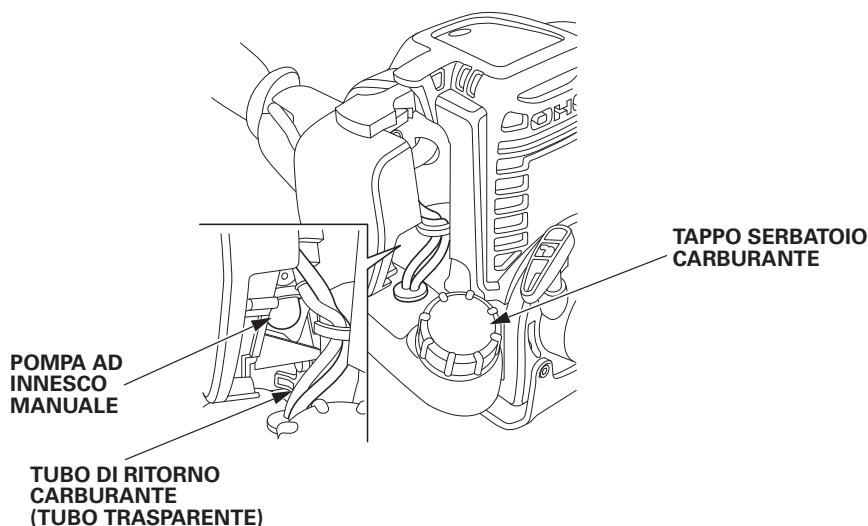
## ▲ ATTENZIONE

**In certe condizioni la benzina è estremamente infiammabile ed esplosiva. Non fumare, oppure tenere fiamme e scintille lontane dalla zona.**

- a. Verificare che il tappo di riempimento olio del motore sia saldamente serrato.
- b. Rimuovere il tappo del serbatoio carburante e scaricare il carburante in un recipiente inclinando il motore verso il bocchettone di riempimento.



- c. Premere la pompa a innesco manuale diverse volte fino a quando tutto il carburante residuo nel tubo di ritorno carburante sia tornato nel tubo carburante.



- d. Inclinare nuovamente il motore verso il bocchettone di riempimento per scaricare il carburante rimasto nel serbatoio all'interno del contenitore.  
e. Serrare saldamente il tappo del serbatoio carburante dopo aver scaricato completamente il carburante.

**NOTA:**

- La benzina deteriorata potrebbe danneggiare il motore.
  - La benzina deve quindi essere conservata in un contenitore pulito, da utilizzare esclusivamente per la benzina.
  - Conservare la benzina in un luogo fresco e ben ventilato.
3. Sostituire l'olio motore (vedere pagina 43).
  4. Pulire il filtro aria (vedere pagine 45, 46).
  5. Rimuovere il coperchio superiore, rimuovere la candela e versare un cucchiaino circa di olio motore pulito all'interno del cilindro.
  6. Far girare il motore per qualche minuto per far circolare l'olio, quindi reinstallare la candela. Tirare lentamente la maniglia di avviamento finché non si avverte resistenza. Reinstallare il coperchio superiore.
  7. Portare la leva dello starter in posizione CHIUSA (vedere pagina 35).
  8. Coprire il motore e conservarlo in un luogo asciutto e privo di polvere.

### Se il motore non si avvia:

1. L'interruttore del motore è in posizione ON?
2. È presente il carburante nel serbatoio (vedere pagina 21)?

#### **▲ ATTENZIONE**

**In certe condizioni la benzina è estremamente infiammabile ed esplosiva. Non fumare, oppure tenere fiamme e scintille lontane dalla zona.**

3. La benzina raggiunge il carburatore?  
Per controllare, premere la pompa a innesco manuale diverse volte (vedere pagina 35).
4. La candela è in buone condizioni?  
Pulire, regolare nuovamente la distanza tra gli elettrodi e asciugare la candela. Se necessario, sostituire (vedere pagina 47).
5. Se il motore non si avvia, farlo controllare da un concessionario Honda autorizzato.



## 13. SPECIFICHE TECNICHE

---

MODELLO	UMC425E	UMC435E
Codice descrittivo	HACT	HADT

MODELLO	UMC425U	UMC435U
Codice descrittivo	HAET	HAFT

### Telaio

MODELLO	UMC425E UMC425U	UMC435E UMC435U
Tipo manubrio	Circolare	
Tipo di frizione	Frizione centrifuga	
Lunghezza totale	1.135 mm	1.145 mm
Larghezza totale	315 mm	320 mm
Altezza totale	245 mm	255 mm
Massa a secco (peso)	5,1 kg	6,0 kg

### NOTA:

Le specifiche tecniche possono variare in base al tipo e possono essere soggette a modifiche senza preavviso.

## Motore

MODELLO	UMC425E	UMC425U
Modello motore	GX25T	
Codice descrizione motore	GCALT	
Tipo di motore	Monocilindrico 4 tempi, a camme in testa	
Cilindrata	25,0 cm <sup>3</sup>	
Alesaggio e corsa	35,0 × 26,0 mm	
Potenza netta del motore (in base alla normativa SAE J1349*)	0,72 kW/7.000 giri/min	
Coppia netta massima motore (in base alla normativa SAE J1349*)	1,0 N·m (0,10 kgf·m)/5.000 giri/min	
Regime minimo	3.100 ± 200 giri/min	
Velocità massima corrispondente alb-erino	MIN. 10.000 giri/min	
Sistema di raffreddamento	Aria a circolazione forzata	
Sistema di accensione	Magnetico a transistor	
Capacità olio	0,08 L	
Capacità serbatoio carburante	0,58 L	
Candela	CMR5H (NGK)	

\* La potenza del motore indicata in questa documentazione è la potenza netta in uscita testata su un motore in produzione relativo al modello del motore e misurata in base alla normativa SAE J1349 ad un regime motore pari a 7.000 giri/min (potenza netta motore) e a 5.000 giri/min (coppia netta massima motore). I motori di produzione di massa possono differire da questo valore. L'effettiva potenza in uscita del motore installato sulla macchina dipende da diversi fattori, compresa la velocità di funzionamento del motore in uso, le condizioni ambientali, la manutenzione e altre variabili.

### NOTA:

Le specifiche tecniche possono variare in base al tipo e possono essere soggette a modifiche senza preavviso.

## Motore

MODELLO	UMC435E	UMC435U
Modello motore	GX35T	
Codice descrizione motore	GCAMT	
Tipo di motore	Monocilindrico 4 tempi, a camme in testa	
Cilindrata	35,8 cm <sup>3</sup>	
Alesaggio e corsa	39,0 × 30,0 mm	
Potenza netta del motore (in base alla normativa SAE J1349*)	1,0 kW/7.000 giri/min	
Coppia netta massima motore (in base alla normativa SAE J1349*)	1,6 N·m (0,16 kgf·m)/5.500 giri/min	
Regime minimo	3.100 ± 200 giri/min	
Velocità massima corrispondente alb-erino	MIN. 10.000 giri/min	
Sistema di raffreddamento	Aria a circolazione forzata	
Sistema di accensione	Magnetico a transistor	
Capacità olio	0,10 L	
Capacità serbatoio carburante	0,63 L	
Candela	CMR5H (NGK)	

\* La potenza del motore indicata in questa documentazione è la potenza netta in uscita testata su un motore in produzione relativo al modello del motore e misurata in base alla normativa SAE J1349 ad un regime motore pari a 7.000 giri/min (potenza netta motore) e a 5.500 giri/min (coppia netta massima motore). I motori di produzione di massa possono differire da questo valore. L'effettiva potenza in uscita del motore installato sulla macchina dipende da diversi fattori, compresa la velocità di funzionamento del motore in uso, le condizioni ambientali, la manutenzione e altre variabili.

### NOTA:

Le specifiche tecniche possono variare in base al tipo e possono essere soggette a modifiche senza preavviso.

## Rumore e vibrazioni (per il modello europeo)

MODELLO		UMC425E	
ACCESSORIO		Decespugliatore	Tagliabordi
Livello di pressione sonora all'orecchio dell'operatore EN ISO 22868: 2011		92 dB (A)	97 dB (A)
Incertezza		1 dB (A)	1 dB (A)
Livello di potenza sonora misurata (2000/14/CE, 2005/88/CE)		102 dB (A)	111 dB (A)
Incertezza		1 dB (A)	1 dB (A)
Livello di potenza sonora garantito (2000/14/CE, 2005/88/CE)		112 dB (A)	112 dB (A)
Livello di vibrazioni sul braccio (EN ISO 22867: 2011)	Ant.	4,7 m/s <sup>2</sup>	5,8 m/s <sup>2</sup>
	Post.	6,5 m/s <sup>2</sup>	5,8 m/s <sup>2</sup>
Incertezza (EN 12096: 1997 Allegato D)	Ant.	2,4 m/s <sup>2</sup>	2,3 m/s <sup>2</sup>
	Post.	2,6 m/s <sup>2</sup>	2,3 m/s <sup>2</sup>

MODELLO		UMC425E		
ACCESSORIO		Potatrice		Soffiafoglie
		Standard	Prolunga	
Livello di pressione sonora all'orecchio dell'operatore EN ISO 22868: 2011		90 dB (A)		93 dB (A)
Incertezza		1 dB (A)		1 dB (A)
Livello di potenza sonora misurata (2000/14/CE, 2005/88/CE)		104 dB (A)		105 dB (A)
Incertezza		1 dB (A)		1 dB (A)
Livello di potenza sonora garantito (2000/14/CE, 2005/88/CE)		107 dB (A)		107 dB (A)
Livello di vibrazioni sul braccio (EN ISO 22867: 2011)	Ant.	4,4 m/s <sup>2</sup>	4,1 m/s <sup>2</sup>	5,0 m/s <sup>2</sup>
	Post.	4,4 m/s <sup>2</sup>	6,5 m/s <sup>2</sup>	5,0 m/s <sup>2</sup>
Incertezza (EN 12096: 1997 Allegato D)	Ant.	2,2 m/s <sup>2</sup>	2,0 m/s <sup>2</sup>	2,5 m/s <sup>2</sup>
	Post.	2,2 m/s <sup>2</sup>	2,6 m/s <sup>2</sup>	2,5 m/s <sup>2</sup>

### NOTA:

Le specifiche tecniche possono variare in base al tipo e possono essere soggette a modifiche senza preavviso.

## Rumore e vibrazioni (per il modello europeo)

MODELLO		UMC425E		
ACCESSORIO		Tagliasiepi		
		Corto	Lungo	Prolunga lunga
Livello di pressione sonora all'orecchio dell'operatore EN ISO 22868: 2011		90 dB (A)		
Incertezza		1 dB (A)		
Livello di potenza sonora misurata (2000/14/CE, 2005/88/CE)		101 dB (A)		
Incertezza		1 dB (A)		
Livello di potenza sonora garantito (2000/14/CE, 2005/88/CE)		106 dB (A)		
Livello di vibrazioni sul braccio (EN ISO 22867: 2011)	Ant.	5,9 m/s <sup>2</sup>	7,0 m/s <sup>2</sup>	3,5 m/s <sup>2</sup>
	Post.	4,4 m/s <sup>2</sup>	4,5 m/s <sup>2</sup>	6,2 m/s <sup>2</sup>
Incertezza (EN 12096: 1997 Allegato D)	Ant.	2,4 m/s <sup>2</sup>	2,8 m/s <sup>2</sup>	1,7 m/s <sup>2</sup>
	Post.	2,2 m/s <sup>2</sup>	2,3 m/s <sup>2</sup>	2,5 m/s <sup>2</sup>

MODELLO		UMC425E	
ACCESSORIO		Tagliabordi	Coltivatore
Livello di pressione sonora all'orecchio dell'operatore EN ISO 22868: 2011		91 dB (A)	89 dB (A)
Incertezza		1 dB (A)	2 dB (A)
Livello di potenza sonora misurata (EN ISO 22868: 2011)		102 dB (A)	102 dB (A)
Incertezza		1 dB (A)	2 dB (A)
Livello di potenza sonora garantito (EN ISO 22868: 2011)		106 dB (A)	106 dB (A)
Livello di vibrazioni sul braccio (EN ISO 22867: 2011)	Ant.	4,8 m/s <sup>2</sup>	3,7 m/s <sup>2</sup>
	Post.	6,2 m/s <sup>2</sup>	5,7 m/s <sup>2</sup>
Incertezza (EN 12096: 1997 Allegato D)	Ant.	2,4 m/s <sup>2</sup>	1,9 m/s <sup>2</sup>
	Post.	2,5 m/s <sup>2</sup>	2,3 m/s <sup>2</sup>

NOTA:

Le specifiche tecniche possono variare in base al tipo e possono essere soggette a modifiche senza preavviso.

## Rumore e vibrazioni (per il modello europeo)

MODELLO		UMC435E	
ACCESSORIO		Decespugliatore	Tagliabordi
Livello di pressione sonora all'orecchio dell'operatore EN ISO 22868: 2011		92 dB (A)	97 dB (A)
Incertezza		1 dB (A)	1 dB (A)
Livello di potenza sonora misurata (2000/14/CE, 2005/88/CE)		105 dB (A)	110 dB (A)
Incertezza		1 dB (A)	1 dB (A)
Livello di potenza sonora garantito (2000/14/CE, 2005/88/CE)		112 dB (A)	112 dB (A)
Livello di vibrazioni sul braccio (EN ISO 22867: 2011)	Ant.	4,9 m/s <sup>2</sup>	5,5 m/s <sup>2</sup>
	Post.	6,1 m/s <sup>2</sup>	6,8 m/s <sup>2</sup>
Incertezza (EN 12096: 1997 Allegato D)	Ant.	2,5 m/s <sup>2</sup>	2,2 m/s <sup>2</sup>
	Post.	2,4 m/s <sup>2</sup>	2,7 m/s <sup>2</sup>

MODELLO		UMC435E		
ACCESSORIO		Potatrice		Soffiafoglie
		Standard	Prolunga	
Livello di pressione sonora all'orecchio dell'operatore EN ISO 22868: 2011		90 dB (A)		94 dB (A)
Incertezza		2 dB (A)		2 dB (A)
Livello di potenza sonora misurata (2000/14/CE, 2005/88/CE)		105 dB (A)		105 dB (A)
Incertezza		2dB (A)		2 dB (A)
Livello di potenza sonora garantito (2000/14/CE, 2005/88/CE)		107 dB (A)		107 dB (A)
Livello di vibrazioni sul braccio (EN ISO 22867: 2011)	Ant.	5,6 m/s <sup>2</sup>	3,0 m/s <sup>2</sup>	4,3 m/s <sup>2</sup>
	Post.	4,3 m/s <sup>2</sup>	5,7 m/s <sup>2</sup>	5,0 m/s <sup>2</sup>
Incertezza (EN 12096: 1997 Allegato D)	Ant.	2,3 m/s <sup>2</sup>	1,5 m/s <sup>2</sup>	2,2 m/s <sup>2</sup>
	Post.	2,1 m/s <sup>2</sup>	2,3 m/s <sup>2</sup>	2,5 m/s <sup>2</sup>

### NOTA:

Le specifiche tecniche possono variare in base al tipo e possono essere soggette a modifiche senza preavviso.

## Rumore e vibrazioni (per il modello europeo)

MODELLO		UMC435E		
ACCESSORIO		Tagliasiepi		
		Corto	Lungo	Prolunga lunga
Livello di pressione sonora all'orecchio dell'operatore EN ISO 22868: 2011		92 dB (A)		
----- Incertezza		2 dB (A)		
Livello di potenza sonora misurata (2000/14/CE, 2005/88/CE)		104 dB (A)		
----- Incertezza		2 dB (A)		
Livello di potenza sonora garantito (2000/14/CE, 2005/88/CE)		106 dB (A)		
Livello di vibrazioni sul braccio (EN ISO 22867: 2011)	Ant.	6,9 m/s <sup>2</sup>	5,9 m/s <sup>2</sup>	3,7 m/s <sup>2</sup>
	Post.	4,2 m/s <sup>2</sup>	4,1 m/s <sup>2</sup>	5,8m/s <sup>2</sup>
----- Incertezza (EN 12096: 1997 Allegato D)	Ant.	2,8 m/s <sup>2</sup>	2,4 m/s <sup>2</sup>	1,8 m/s <sup>2</sup>
	Post.	2,1 m/s <sup>2</sup>	2,1 m/s <sup>2</sup>	2,3 m/s <sup>2</sup>

MODELLO		UMC435E	
ACCESSORIO		Tagliabordi	Coltivatore
Livello di pressione sonora all'orecchio dell'operatore EN ISO 22868: 2011		91 dB (A)	91 dB (A)
----- Incertezza		1 dB (A)	2 dB (A)
Livello di potenza sonora misurata (EN ISO 22868: 2011)		105 dB (A)	104 dB (A)
----- Incertezza		1 dB (A)	2 dB (A)
Livello di potenza sonora garantito (EN ISO 22868: 2011)		106 dB (A)	106 dB (A)
Livello di vibrazioni sul braccio (EN ISO 22867: 2011)	Ant.	6,0 m/s <sup>2</sup>	4,3 m/s <sup>2</sup>
	Post.	6,3 m/s <sup>2</sup>	6,5 m/s <sup>2</sup>
----- Incertezza (EN 12096: 1997 Allegato D)	Ant.	2,4 m/s <sup>2</sup>	2,2 m/s <sup>2</sup>
	Post.	2,5 m/s <sup>2</sup>	2,6 m/s <sup>2</sup>

NOTA:

Le specifiche tecniche possono variare in base al tipo e possono essere soggette a modifiche senza preavviso.

## Rumore e vibrazioni (per il modello australiano)

MODELLO		UMC425U		
ACCESSORIO		Decespugliatore	Tagliabordi	
Livello di pressione sonora (Standard del Nuovo Galles del Sud, Australia)		69 dB (A)	75 dB (A)	
Livello di pressione sonora all'orecchio dell'operatore		(AS3575: 1995+ Emendament o1:1997)	95 dB (A)	
Livello di vibrazioni	Ant.		8 m/s <sup>2</sup>	10 m/s <sup>2</sup>
	Post.		12 m/s <sup>2</sup>	10 m/s <sup>2</sup>

MODELLO		UMC425U	
ACCESSORIO		Potatrice	Soffiafoglie
Livello di pressione sonora (Standard del Nuovo Galles del Sud, Australia)		72 dB (A)	77 dB (A)

MODELLO		UMC425U	
ACCESSORIO		Tagliasiepi	Tagliabordi
Livello di pressione sonora (Standard del Nuovo Galles del Sud, Australia)		70 dB (A)	70 dB (A)

MODELLO		UMC425U	
ACCESSORIO		Coltivatore	
Livello di pressione sonora (Standard del Nuovo Galles del Sud, Australia)		69 dB (A)	

### NOTA:

Le specifiche tecniche possono variare a seconda dei tipi e sono soggette a modifiche senza preavviso.



## Rumore e vibrazioni (per il modello australiano)

MODELLO		UMC435U	
ACCESSORIO		Decespugliatore	Tagliabordi
Livello di pressione sonora (Standard del Nuovo Galles del Sud, Australia)		72 dB (A)	77 dB (A)
Livello di pressione sonora all'orecchio dell'operatore		(AS3575: 1995+ Emendament o1:1997)	96 dB (A)
Livello di vibrazioni	Ant.		9 m/s <sup>2</sup>
	Post.		11 m/s <sup>2</sup>
			101 dB (A)
			9 m/s <sup>2</sup>
			12 m/s <sup>2</sup>

MODELLO		UMC435U	
ACCESSORIO		Potatrice	Soffiafoglie
Livello di pressione sonora (Standard del Nuovo Galles del Sud, Australia)		75 dB (A)	77 dB (A)

MODELLO		UMC435U	
ACCESSORIO		Tagliasiepi	Tagliabordi
Livello di pressione sonora (Standard del Nuovo Galles del Sud, Australia)		73 dB (A)	72 dB (A)

MODELLO		UMC435U	
ACCESSORIO		Coltivatore	
Livello di pressione sonora (Standard del Nuovo Galles del Sud, Australia)		72 dB (A)	

### NOTA:

Le specifiche tecniche possono variare in base al tipo e possono essere soggette a modifiche senza preavviso.

# **MAJOR Honda DISTRIBUTOR ADDRESSES**

For further information, please contact Honda Customer Information Centre at the following address or telephone number:

## **ADRESSES DES PRINCIPAUX DISTRIBUTEURS Honda**

Pour plus d'informations, s'adresser au Centre d'informations clients Honda à l'adresse ou numéro de téléphone suivants:

## **ADRESSEN DER HAUPT-Honda-VERTEILER**

Weitere Informationen erhalten Sie gerne vom Honda-Kundeninformationszentrum unter der folgenden Adresse oder Telefonnummer:

## **INDIRIZZI DEI PRINCIPALI DISTRIBUTORI Honda**

Per ulteriori informazioni rivolgersi al Centro informazioni clienti Honda al seguente indirizzo o numero telefonico:

## AUSTRIA

**Honda Austria GmbH**

Hondastraße 1

2351 Wiener Neudorf

Tel. : +43 (0)2236 690 0

Fax : +43 (0)2236 690 480

<http://www.honda.at>

✉ [HondaPP@honda.co.at](mailto:HondaPP@honda.co.at)

## BALTIC STATES

**(Estonia/Latvia/  
Lithuania)**

**Honda Motor Europe Ltd.**

**Estonian Branch**

Tulika 15/17

10613 Tallinn

Tel. : +372 6801 300

Fax : +372 6801 301

✉ [honda.baltic@honda-eu.com](mailto:honda.baltic@honda-eu.com)

## BELGIUM

**Honda Belgium**

Doornveld 180-184

1731 Zellik

Tel. : +32 2620 10 00

Fax : +32 2620 10 01

<http://www.honda.be>

✉ [BH\\_PE@HONDA-EU.COM](mailto:BH_PE@HONDA-EU.COM)

## BULGARIA

**Kirov Ltd.**

49 Tsaritsa Yoana blvd

1324 Sofia

Tel. : +359 2 93 30 892

Fax : +359 2 93 30 814

<http://www.kirov.net>

✉ [honda@kirov.net](mailto:honda@kirov.net)

## CROATIA

**Hongoldonia d.o.o.**

Vrbaska 1c

31000 Osijek

Tel. : +38531320420

Fax : +38531320429

<http://www.hongoldonia.hr>

✉ [prodaja@hongoldonia.hr](mailto:prodaja@hongoldonia.hr)

## CYPRUS

**Alexander Dimitriou & Sons  
Ltd.**

162, Yiannos Kranidiotis

Avenue

2235 Latsia, Nicosia

Tel. : +357 22 715 300

Fax : +357 22 715 400

## CZECH REPUBLIC

**BG Technik cs, a.s.**

U Zavodiste 251/8

15900 Prague 5 - Velka

Chuchle

Tel. : +420 2 838 70 850

Fax : +420 2 667 111 45

<http://www.honda-stroje.cz>

## DENMARK

**TIMA A/S**

Tårnfalkevej 16

2650 Hvidovre

Tel. : +45 36 34 25 50

Fax : +45 36 77 16 30

<http://www.hondapower.dk>

## FINLAND

**OY Brandt AB.**

Tuupakantie 7B

01740 Vantaa

Tel. : +358 207757200

Fax : +358 9 878 5276

<http://www.brandt.fi>

## FRANCE

**Honda Relations Clients**

TSA 80627

45146 St Jean de la Ruelle Cedex

Tel. : 02 38 81 33 90

Fax : 02 38 81 33 91

<http://www.honda-fr.com>

✉ [espaceclient@honda-eu.com](mailto:espaceclient@honda-eu.com)

## GERMANY

**Honda Deutschland  
GmbH**

Sprenflinger Landstraße 166

63069 Offenbach am Main

Tel. : 01 80 5/20 20 90

Fax : +49 69 8320 20

<http://www.honda.de>

✉ [info@post.honda.de](mailto:info@post.honda.de)

## GREECE

**Saracakis Brothers S.A.**

71 Leoforos Athinon

10173 Athens

Tel. : +30 210 3497809

Fax : +30 210 3467329

<http://www.honda.gr>

✉ [info@saracakis.gr](mailto:info@saracakis.gr)

## HUNGARY

**Motor Pedo Co., Ltd.**

Kamaraerdei ut 3.

2040 Budaors

Tel. : +36 23 444 971

Fax : +36 23 444 972

<http://www.hondakisgepek.hu>

✉ [info@hondakisgepek.hu](mailto:info@hondakisgepek.hu)

## ICELAND

**Bernhard ehf.**

Vatnagarðar 24-26

104 Reykjavík

Tel. : +354 520 1100

Fax : +354 520 1101

<http://www.honda.is>

## IRELAND

**Two Wheels Ltd**

M50 Business Park, Ballymount

Dublin 12

Tel. : +353 1 4381900

Fax : +353 1 4607851

<http://www.hondaireland.ie>

✉ [Service@hondaireland.ie](mailto:Service@hondaireland.ie)

## ITALY

**Honda Italia Industriale S.p.A.**

Via della Cecchignola, 13

00143 Roma

Tel. : +848 846 632

Fax : +39 065 4928 400

<http://www.hondaitalia.com>

✉ [info.power@honda-eu.com](mailto:info.power@honda-eu.com)

## MALTA

**The Associated Motors**

**Company Ltd.**

New Street in San Gwakklin Road

Mriehel Bypass, Mriehel QRM17

Tel. : +356 21 498 561

Fax : +356 21 480 150

## NETHERLANDS

**Honda Nederland B.V.**

Afd, Power Equipment

Capronilaan 1

1119 NN Schiphol-Rijk

Tel. : +31 20 7070000

Fax : +31 20 7070001

<http://www.honda.nl>

## NORWAY

**Berema AS**

P.O. Box 454

1401 Ski

Tel. : +47 64 86 05 00

Fax : +47 64 86 05 49

<http://www.berema.no>

✉ [berema@berema.no](mailto:berema@berema.no)

## POLAND

**Aries Power Equipment Sp. z o.o.**

ul. Wroclawska 25

01-493 Warszawa

Tel. : +48 (22) 861 43 01

Fax : +48 (22) 861 43 02

<http://www.ariespower.pl>

<http://www.mojahonda.pl>

✉ [info@ariespower.pl](mailto:info@ariespower.pl)

## PORTUGAL

**Honda Portugal, S.A.**

Rua Fontes Pereira de Melo 16

Abrunheira, 2714-506 Sintra

Tel. : +351 21 915 53 33

Fax : +351 21 915 23 54

<http://www.honda.pt>

✉ [honda.produtos@honda-eu.com](mailto:honda.produtos@honda-eu.com)

## REPUBLIC OF BELARUS

**Scanlink Ltd.**

Kozlova Drive, 9

220037 Minsk

Tel. : +375 172 999090

Fax : +375 172 999900

<http://www.hondapower.by>

## ROMANIA

**Hit Power Motor Srl**

str. Vasile Stroescu nr. 12,

Camera 6, Sector 2

021374 Bucuresti

Tel. : +40 21 637 04 58

Fax : +40 21 637 04 78

<http://www.honda.ro>

✉ [hit\\_power@honda.ro](mailto:hit_power@honda.ro)

## RUSSIA

**Honda Motor RUS LLC**

1, Pridirizhnaya Street, Sharapovo

settlement, Naro-Fominsky district,

Moscow Region, 143350 Russia

Tel. : +7 (495) 745 20-80

Fax : +7 (495) 745 20 81

<http://www.honda.co.ru>

✉ [postoffice@honda.co.ru](mailto:postoffice@honda.co.ru)

## SERBIA & MONTENEGRO

BPP Group d.o.o

Generala Horvatovica 68

11000 Belgrade

Tel. : +381 11 3820 295

Fax : +381 11 3820 296

<http://www.hondasrbija.co.rs>

✉ [honda@bazis.co.rs](mailto:honda@bazis.co.rs)

## SLOVAK REPUBLIC

Honda Slovakia, spol. s r.o.

Prievozska 6

821 09 Bratislava

Tel. : +421 2 32131112

Fax : +421 2 32131111

<http://www.honda.sk>

## SLOVENIA

AS Domzale Moto Center D.O.O.

Blatnica 3A

1236 Trzin

Tel. : +386 1 562 22 62

Fax : +386 1 562 37 05

[www.honda-as.com](http://www.honda-as.com)

✉ [infomacije@honda-as.com](mailto:infomacije@honda-as.com)

## SPAIN &

### Las Palmas province (Canary Islands)

Greens Power Products, S.L.

Poligono Industrial Congost -

Av Ramon Ciurans n°2

08530 La Garriga - Barcelona

Tel. : +34 93 860 50 25

Fax : +34 93 871 81 80

<http://www.hondaencasa.com>

## Tenerife province (Canary Islands)

Automocion Canarias S.A.

Carretera General del Sur, KM. 8,8

38107 Santa Cruz de Tenerife

Tel. : +34 (922) 620 617

Fax : +34 (922) 618 042

<http://www.aucasa.com>

✉ [ventas@aucasa.com](mailto:ventas@aucasa.com)

✉ [taller@aucasa.com](mailto:taller@aucasa.com)

## SWEDEN

Honda Nordic AB

Box 31002 - Långhusgatan 4

215 86 Malmö

Tel. : +46 (0)40 600 23 00

Fax : +46 (0)40 600 23 19

<http://www.honda.se>

✉ [hpesinfo@honda-eu.com](mailto:hpesinfo@honda-eu.com)

## SWITZERLAND

Honda Suisse S.A.

10, Route des Moulrières

1214 Vernier - Genève

Tel. : +41 (0)22 939 09 09

Fax : +41 (0)22 939 09 97

<http://www.honda.ch>

## TURKEY

Anadolu Motor Uretim ve

Pazarlama AS

Esentepe mah. Anadolu

cad. No: 5

Kartal 34870 Istanbul

Tel. : +90 216 389 59 60

Fax : +90 216 353 31 98

<http://www.anadolumotor.com.tr>

✉ [antor@antor.com.tr](mailto:antor@antor.com.tr)

## UKRAINE

Honda Ukraine LLC

101 Volodymyrska Str. - Build. 2

Kyiv 01033

Tel. : +380 44 390 14 14

Fax : +380 44 390 14 10

<http://www.honda.ua>

✉ [CR@honda.ua](mailto:CR@honda.ua)

## UNITED KINGDOM

Honda (UK) Power Equipment

470 London Road

Slough - Berkshire, SL3 8QY

Tel. : +44 (0)845 200 8000

<http://www.honda.co.uk>

## AUSTRALIA

Honda Australia Motorcycle and

Power Equipment Pty. Ltd

1954-1956 Hume Highway

Campbellfield Victoria 3061

Tel. : (03) 9270 1111

Fax : (03) 9270 1133

## CHILE

Honda Motor De Chile S.A

San Ignacio 031 Quilicura

Cod. Postal 8720018-Santiago

Tel. : +56 2 2709800

Fax : +56 2 7386511

<http://www.honda.cl>

✉ [contacto@honda.cl](mailto:contacto@honda.cl)

## CANADA

Honda Canada Inc.

180 Honda boulevard

Markham, ON L6C 0H9

Tel. : 1-888-946-6329

Fax : 1-887-939-0909

**"EC Declaration of Conformity" CONTENT OUTLINE**  
**"CE-Déclaration de conformité" DESCRIPTION DE TABLE DES MATIERES**  
**"EU-Konformitätserklärung" INHALTSÜBERSICHT**  
**DESCRIPCIÓN GENERAL DEL CONTENIDO DE LA "Declaración de Conformidad CE"**  
**DESCRIZIONE DEL CONTENUTO DELLA "Dichiarazione CE di Conformità"**

**EC Declaration of Conformity**

1. The undersigned, Piet Renneboog, on behalf of the authorized representative, herewith declares that the machinery described below fulfils all the relevant provisions of:
- Directive 2006/42/EC on machinery
  - Directive 2004/108/EC on electromagnetic compatibility

2. Description of the machinery

- a) Generic denomination: Power head  
 b) Function: drive system for attachments

c) Commercial name	d) Type	e) Serial number
*1	*1	

3. Manufacturer

Thai Honda Manufacturing Co., Ltd.  
 410 Ladkrabang Industrial Estate  
 Lamplatu, Ladkrabang, Bangkok  
 10520 Thailand

4. Authorized representative

Honda Motor Europe Ltd. Aalst Office  
 Wijngaardveld 1 (Noord V),  
 9300 Aalst - BELGIUM

5. References to harmonized standards	6. Other standards or specifications
EN ISO 12100:2010	-

7. The described Honda power head can only be used in combination with the authorized attachments.

a) Commercial name			
SSBC	SSBL	SSCL	SSET
SSHH	SSPP	SSES	

8. Done at:

Aalst , BELGIUM

9. Date:

\_\_\_\_\_  
 Piet Renneboog  
 Homologation Manager  
 Honda Motor Europe, Ltd., Aalst Office

\*1: see specification page.  
 \*1: voir page de spécifications  
 \*1: Siehe Spezifikationen-Seite

\*1: consulte la página de las especificaciones  
 \*1: vedi la pagina delle caratteristiche tecniche

<p><b>Français. (French)</b> Déclaration CE de Conformité</p> <p>1. Le sous signé, Piet Renneboog, de la part du représentant autorisé, déclare que la machine décrit ci-dessous répond à toutes les dispositions applicables de</p> <ul style="list-style-type: none"> <li>* Directive Machine 2006/42/CE</li> <li>* Directive 2004/108/CE sur la compatibilité électromagnétique</li> </ul> <p>2. Description de la machine</p> <p>a) Denomination générique : Tête motrice b) Fonction : dispositif d'entraînement des accessoires c) Nom Commercial d) Type e) Numéro de série</p> <p>3. Constructeur 4. Représentant autorisé 5. Référence aux normes harmonisées 6. Autres normes et spécifications 7. La tête motrice Honda doit être utilisée uniquement avec les accessoires préconisés par Honda.</p> <p>a) Nom Commercial 8. Fait à 9. Date</p>	<p><b>Italiano (Italian)</b> Dichiarazione CE di Conformità</p> <p>1. Il sottoscritto, Piet Renneboog, in qualità di rappresentante autorizzato, dichiara qui di seguito che la macchina sotto descritta soddisfa tutte le disposizioni pertinenti delle:</p> <ul style="list-style-type: none"> <li>* Direttiva sulla compatibilità elettromagnetica 2004/108/CE</li> </ul> <p>2. Descrizione della macchina</p> <p>a) Denominazione generica : Gruppo Motore b) Funzione : gruppo comando attrezzi c) Denominazione commerciale d) Tipo e) Numero di serie 3. Costruttore 4. Rappresentante Autorizzato 5. Riferimento agli standard armonizzati 6. Altri standard o specifiche 7. Il sopra descritto gruppo motore Honda può essere usato esclusivamente in combinazione con gli attrezzi autorizzati</p> <p>a) Denominazione commerciale 8. Fatto a 9. Data</p>	<p><b>Deutsch (German)</b> EG-Konformitätserklärung</p> <p>1. Der Unterzeichner, Piet Renneboog erklärt hiermit im Namen der Bevollmächtigten, dass das hierunter genannte Maschine allen einschlägigen Bestimmungen der * entspricht.</p> <ul style="list-style-type: none"> <li>* Maschinenrichtlinie 2006/42/EG</li> <li>* Richtlinie der Elektromagnetischen Kompatibilität 2004/108/EG</li> </ul> <p>2. Beschreibung der Maschine</p> <p>a) Allgemeine Bezeichnung : Antriebsseinheit b) Funktion : Antriebsystem für Kombiwerkzeuge c) Handelsbezeichnung d) Typ e) Seriennummer 3. Hersteller 4. Bevollmächtigter 5. Verweis auf harmonisierte Normen 6. Andere Normen oder Spezifikationen 7. Die beschriebene Antriebsseinheit darf nur mit den dafür zugelassenen Kombiwerkzeugen verwendet werden.</p> <p>a) Handelsbezeichnung 8. Ort 9. Datum</p>
<p><b>Nederlands (Dutch)</b> EG-verklaring van overeenstemming</p> <p>1. Ondergetekende, Piet Renneboog, in naam van de gemachtigde van de fabrikant, verklaart hiermee dat het hieronder beschreven machine voldoet aan alle toepasselijke bepalingen van :</p> <ul style="list-style-type: none"> <li>* Richtlijn 2006/42/EG betreffende machines</li> <li>* Richtlijn 2004/108/EG betreffende elektromagnetische overeenstemming</li> </ul> <p>2. Beschrijving van de machine</p> <p>a) Algemene benaming : Motorgedeelte b) Functie : Aandrijfsysteem voor toebehoren c) Handelsbenaming d) Type e) Serienummer</p> <p>3. Fabrikant 4. Gemachtigde van de fabrikant 5. Referent naar geharmoniseerde normen 6. Andere normen of specificaties 7. Het beschreven Honda motorgedeelte mag enkel gebruikt worden in combinatie met de toegestane toebehoren.</p> <p>a) Handelsbenaming 8. Plaats 9. Datum</p>	<p><b>Dansk (Danish)</b> EF OVERENSTEMMELSEERKLÆRING</p> <p>1. UNDERTEGNEDE, PIET RENNEBOOG, PÅ VEGNE AF DEN AUTORISEREDE REPRÆSENTANT, ERKLÆRER HERMED AT MASKINEN, SOM ER BESKREVET NEDENFOR, OPFYLDER ALLE RELEVANTE BESTEMMELSEER KLÆRINGER:</p> <ul style="list-style-type: none"> <li>* MASKINDIREKTIV 2006/42/EF</li> <li>* EMC-DIREKTIV 2004/108/EF</li> </ul> <p>2. BESKRIVELSE AF PRODUKTET</p> <p>a) HANDELSBETEGNELSE : Træk-enhed b) ANVENDELSE : Drivsystem for tilbehør c) HANDELSBETEGNELSE d) TYPE e) SERIENUMMER</p> <p>3. PRODUCENT 4. AUTORISERET REPRÆSENTANT 5. REFERENCE TIL HARMONISEREDE STANDARDER 6. ANDRE STANDARDER ELLER SPECIFIKATIONER</p> <p>7. Den beskrevne Honda træk-enhed kan kun anvendes i kombination med det korrekte tilbehør</p> <p>a) HANDELSBETEGNELSE 8. STED 9. DATO</p>	<p><b>Ελληνικά (Greek)</b> ΕΚ-Δήλωση συμμόρφωσης</p> <p>1. Ο κάτωθι υπογεγραμμένος „Piet Renneboog, εκ μέρους του εξουσιοδοτημένου αντιπροσώπου με το παρών δηλώνω ότι το παρακάτω περιγραφόμενο όχημα πληροί όλες τις σχετικές προδιαγραφές του:</p> <ul style="list-style-type: none"> <li>* Οδηγία 2006/42/ΕΚ για μηχανές</li> <li>* Οδηγία 2004/108/ΕΚ για την ηλεκτρομαγνητική συμβατότητα</li> </ul> <p>2. Περιγραφή μηχανήματος</p> <p>a) Γενική ονομασία : Κεφαλή ισχύος b) Λειτουργία : σύστημα κίνησης για προσιθμένα εξαρτήματα c) Εμπορική ονομασία d) Τύπος e) Αριθμός σειράς παραγωγής</p> <p>3. Κατασκευαστής 4. Εξουσιοδοτημένος αντιπρόσωπος 5. Αναφορά σε εναρμονισμένα πρότυπα 6. Λοιπά πρότυπα ή προδιαγραφές 7. Η περιγραφόμενη κεφαλή ισχύος HONDA μπορεί να χρησιμοποιηθεί μόνον σε συνδυασμό με τα εγκεκριμένα προσιθμένα εξαρτήματα.</p> <p>a) Εμπορική ονομασία 8. Η δοκιμή έγινε 9. Ημερομηνία</p>
<p><b>Svenska (Swedish)</b> EG-försäkran om överensstämmelse</p> <p>1. Undertecknad, Piet Renneboog, på uppdrag av auktoriserad representant, deklarerar härmed att maskinen beskriven nedan fullföljer alla relevanta bestämmelser enligt :</p> <ul style="list-style-type: none"> <li>* Direktiv 2006/42/EG gällande maskiner</li> <li>* Direktiv 2004/108/EG gällande elektromagnetisk kompatibilitet</li> </ul> <p>2. Maskinbeskrivning</p> <p>a) Allmän benämning : Drivenhet b) Funktion : Drivsystem för tillbehör c) Och varunamn d) Typ e) Serienummer</p> <p>3. Tillverkare 4. Auktoriserad representant 5. referens till överensstämmande standarder 6. Andra standarder eller specifikationer 7. Den beskrivna Honda drivenhet kan endast användas i kombination med godkända delar.</p> <p>a) Och varunamn 8. Utfärdat vid 9. Datum</p>	<p><b>Español (Spanish)</b> Declaración de Conformidad CE</p> <p>1. El abajo firmante, Piet Renneboog, en representación del representante autorizado, adjunto declara que la máquina abajo descrita, cumple las cláusulas relevantes de:</p> <ul style="list-style-type: none"> <li>* Directiva 2006/42/CE de maquinaria</li> <li>* Directiva 2004/108/CE de compatibilidad electromagnética</li> </ul> <p>2. Descripción de la máquina</p> <p>a) Denominación genérica : Unidad motriz b) Función : Transmisor movimiento a los accesorios c) Denominación comercial d) Tipo e) Número de serie</p> <p>3. Fabricante 4. Representante autorizado 5. Referencia de los estándares armonizados 6. Otros estándares o especificaciones 7. La unidad motriz Honda solo puede utilizarse en combinación con los accesorios autorizados.</p> <p>a) Denominación comercial 8. Realizado en 9. Fecha</p>	<p><b>Română (Romanian)</b> CE -Declarație de Conformitate</p> <p>1. Subsemnatul Piet Renneboog, în numele reprezentantului autorizat, declar prin prezenta faptul ca echipamentul descris mai jos îndeplinește toate condițiile necesare din:</p> <ul style="list-style-type: none"> <li>* Directiva 2006/42/CE privind echipamentul</li> <li>* Directiva 2004/108/CE privind compatibilitatea electromagnetica</li> </ul> <p>2. Descrierea echipamentului</p> <p>a) Denumire generica : Unitate Antrenare b) Domeniu de utilizare : sistem de actionare pentru atasamente c) Denumire comerciala d) Tip e) Serie produs 3. Producator 4. Reprezentant Autorizat 5. Referinta la standardele armonizate 6. Alte standarde sau norme 7. Utilajul motorizat prezentat, marca Honda, poate fi echipat numai cu accesorii autorizate</p> <p>a) Denumire comerciala 8. Emisa la 9. Data</p>

<p><b>Português ( Portuguese )</b>  Declaração CE de Conformidade</p> <p>1. O abaixo assinado, Piet Renneboog, declara deste modo, em nome do mandatário, que o máquina abaixo descrito cumpre todas as especificações relevantes da:  * Diretiva 2006/42/CE de máquina  * Directiva 2004/108/CE de compatibilidade electromagnética</p> <p>2. Descrição da máquina  a) Denominação genérica : Direcçõ assistida  b) Função : Sistema de tração para os acessórios  c) Marca  d) Tipo  e) Número de série  f) Fabricante</p> <p>3. Mandatário</p> <p>4. Referência a normas harmonizadas</p> <p>5. Outras normas ou especificações</p> <p>6. A descrita direcção assistida Honda, só pode ser utilizada com os adaptadores autorizados  a) Marca  b) Feito em  c) Data</p>	<p><b>Polski ( Polish )</b>  Deklaracja zgodności WE</p> <p>1. Niżej podpisany, Piet Renneboog, w imieniu upoważnionego przedstawiciela, niniejszym deklaruje, że urządzenie opisane poniżej spełnia wszystkie odpowiednie postanowienia:  * Dyrektywa Maszynowa 2006/42/WE  * Dyrektywa Kompatybilności Elektromagnetycznej 2004/108/WE</p> <p>2. Opis urządzenia  a) Ogólne określenie : Glowica napędowa  b) Funkcja : system napędowy przystawek  c) Nazwa handlowa  d) Typ  e) Numery seryjne  f) Producent</p> <p>3. Upoważniony Przedstawiciel</p> <p>4. Zastosowane normy zharmonizowane</p> <p>5. Pozostałe normy i przepisy</p> <p>6. Wyżej opisana glowica napędowa Honda może być stosowana wyłącznie z autoryzowanymi przystawkami.  a) Nazwa handlowa  b) Miejsce  c) Data</p>	<p><b>Suomi / Suomen kieli (Finnish)</b>  EY-VAAITIMUSTENMUKAISUUSVAKUUTUS</p> <p>1. Allekirjoittanut, Piet Renneboog vakuuttaa valmistajan edustaja, vakuuttaa täten että alla mainittu kone/tuote täyttää kaikki seuraavia määräyksiä:  * Konedirektiivi 2006/42/EY  * Direktiivi 2004/108/EY sähkömagneettinen yhteensopivuus</p> <p>2. TUOTTEEN KUVAUS  a) Yleisarvomäärä : Moottoriosa  b) Toiminto : Lisävarusteet  c) KAUPALLINEN NIMI  d) TYYPPI  e) SARJANUMERO  f) VALMISTAJA</p> <p>3. VALMISTAJA</p> <p>4. VALMISTAJAN EDUSTAJAN</p> <p>5. VIITTAUS YHTEISIIN STANDARDEIHIN</p> <p>6. MUU STANDARDI TAI TEKNISET TIEDOT</p> <p>7. Kuvattua Honda moottoria voidaan käyttää ainoastaan yhdessä alkuperäisten lisävarusteiden kanssa  a) KAUPALLINEN NIMI  b) TEHTY  c) PÄIVÄMÄÄRÄ</p>
<p><b>Magyar ( Hungarian )</b>  EK-megfelelőségi nyilatkozata</p> <p>1. Alulírott Piet Renneboog, a gyártó cég törvényes képviselőjeként nyilatkozom, hogy az általam gyártott gép megfelel az összes, alább felsorolt direktívának:  * 2006/42/EK Direktívának berendezésekre  * 2004/108/EK Direktívának elektromágneses megfeleléségre</p> <p>2. A gép leírása  a) Általános megnevezés : Motor egység  b) Funkció : Meghajtó egység tartozékokhoz  c) Kereskedelmi név  d) Típus  e) Sorozatszám</p> <p>3. Gyártó</p> <p>4. Jogosult képviselő</p> <p>5. Hivatkozással a szabványokra</p> <p>6. Más előírások, megjegyzések</p> <p>7. Az említett motorgyégység csak a rendszeresített eredeti tartozékokkal használható.  a) Kereskedelmi név  b) Keltezés helye  c) Keltezés ideje</p>	<p><b>Cestina (Czech)</b>  ES – Prohlášení o shodě</p> <p>1. Podepsaný Piet Renneboog, jako autorizovaná osoba zde potvrzuje, že stroj popsaný níže splňuje požadavky příslušných opatření:  * Směrnice 2006/42/ES pro strojní zařízení  * Směrnice 2004/108/ES stanovující technické požadavky na výrobky z hlediska elektromagnetické kompatibility</p> <p>2. Popis zařízení  a) Všeobecné označení : Pohonná jednotka  b) Funkce : Pohon přípojitélného příslušenství  c) Obchodní název  d) Typ  e) Výrobní číslo  f) Výrobce</p> <p>3. Vyrobená osoba</p> <p>4. Autorizovaná osoba</p> <p>5. Odkazy na harmonizované normy</p> <p>6. Ostatní použité normy a specifikace</p> <p>7. Popsaná pohonná jednotka Honda může být použita výhradně v kombinaci se schválenými příslušenstvími.  a) Obchodní název  b) Podepsáno v  c) Datum</p>	<p><b>Latviešu (Latvian)</b>  EK atbilstības deklarācija</p> <p>1. Piet Renneboog ar savu parakstu zem šī dokumenta, autorizētā pārstāvja vārdā, paziņo, ka zemāk aprakstītie mašīna, atbilst visām zemāk norādīto direktīvu sadaļām:  * Direktīva 2006/42/EK par mašīnām  * Direktīva 2004/108/EK attiecībā uz elektromagnētisko savietojamību</p> <p>2. Iekārtas apraksts  a) Vispārējais nosaukums : Dzinēja modulis  b) Funkcija : pievienojama piedziņas sistēma  c) Komerccnosaukums  d) Tips  e) Sērijas numurs  f) Ražotājs</p> <p>3. Iekārtas pārstāvis</p> <p>4. Autorizētais pārstāvis</p> <p>5. Atsauc uz saskaņotajiem standartiem</p> <p>6. Citi noteiktie standarti vai specifikācijas</p> <p>7. Iepriekš minēto dzinēja moduli var lietot tikai kopā ar autorizētu aprīkojumu.  a) Komerccnosaukums  b) Vieta  c) Datums</p>
<p><b>Slovenčina (Slovak)</b>  ES vyhlásenie o zhode</p> <p>1. Dolepodoipisany, Piet Renneboog, ako autorizovaný zástupca výrobcu, týmto vyhlasuje, že uvedený stroj/ov je v zhode s nasledovnymi smernicami:  * Smernica 2006/42/ES (Strojné zariadenia)  * Smernica 2004/108/ES (Elektromagnetická kompatibilita)</p> <p>2. Popis stroja  a) Druhové označenie : Výstupný adaptér  b) Funkcia : Pohonný systém pre vymeniteľné zariadenie  c) Obchodný názov  d) Typ  e) Výrobné číslo  f) Výrobca</p> <p>3. Vyrobenca</p> <p>4. Autorizovaný zástupca</p> <p>5. Referencia k harmonizovaným štandardom</p> <p>6. Ďalšie štandardy alebo špecifikácie</p> <p>7. Opisany Výstupný adaptér Honda môže byť použitý len v kombinácii s autorizovanými výmennými zariadeniami.  a) Obchodný názov  b) Miesto  c) Dátum</p>	<p><b>Eesti (Estonian)</b>  EÜ vastavusdeklaratsioon</p> <p>1. Käesolevaga kinnitab allkirjutajutanu, Piet Renneboog, volitatud esindaja nimel, et allpool kirjeldatud masina vastab kõikidele alljärgnevat direktiivide sätetele:  * Masinate direktiiv 2006/42/EÜ  * Elektromagnetilise ühilduvuse direktiiv 2004/108/EÜ</p> <p>2. Seadmete kirjeldus  a) Üldnimetus : Mootorjõuseade  b) Funktsioon : Tööriistade käitussüsteem  c) Kaubanduslik nimetus  d) Tüüp  e) Seerianumber  f) Tootja</p> <p>3. Tootja</p> <p>4. Volitatud esindaja</p> <p>5. Viide ühtlustatud standarditele</p> <p>6. Muud standardid ja spetsifikatsioonid</p> <p>7. Kirjeldatud mootorjõuseadet tohib kasutada ainult koos selleks ettenähtud tööriistadega  a) Kaubanduslik nimetus  b) Koht  c) Kuupäev</p>	<p><b>Slovensčina (Slovenian)</b>  ES izjava o skladnosti</p> <p>1. Spodaj podpisani, Piet Renneboog, ki je pooblaščen/a oseba in v imenu proizvajalca izjavlja, da spodaj opisana stroj ustreza vsem navedenim direktivam:  * Direktiva 2006/42/ES o strojih  * Direktiva 2004/108/ES o elektromagnetni združljivosti</p> <p>2. Opis naprave  a) Vrsta stroja : Pogonski sklop  b) Funkcija : Pogonski element  c) Trgovski naziv  d) Tip  e) Serijska številka  f) Proizvajalec</p> <p>3. Proizvajalec</p> <p>4. Pooblaščen predstavnik</p> <p>5. Upoštevanje harmoniziranih standardi</p> <p>6. Ostali standardi ali specifikaciji</p> <p>7. Opisan Hondin pogonski sklop, je dovoljen za uporabo samo s priporočenimi priključki.  a) Trgovski naziv  b) Kraj  c) Datum</p>



<p><b>Lietuvių kalba (Lithuanian)</b> EB atitikties deklaracija</p> <p>1. Įgaliotojo atstovo vardu pasirašęs Piet Renneboog patvirtina, kad žemiau aprašyta mašina atitinka visas išvardintų direktyvų nuostatas: * Mechanizmų direktyva 2006/42/EB * Elektromagnetinio suderinamumo direktyva 2004/108/EB</p> <p>2. Prietaiso aprašymas a) Bendras pavadinimas : Variklis b) Funkcija : Varančioji sistema papildomiems įrenginiams c) Komerčinis pavadinimas d) Tipas e) Serijos numeris 3. Gamintojas 4. Įgaliotasis atstovas 5. Nuorodos į suderintus standartus 6. Kiti standartai ir specifikacija 7. Aprašytas variklis gali būti naudojamas tik su originaliais priedais a) Komerčinis pavadinimas 8. Vieta 9. Data</p>	<p><b>Български (Bulgarian)</b> ЕО декларация за съответствие</p> <p>1. Допълодисаният Пайът Ренебург, от името на упълномощения представител, с настоящото декларирам, че машините, описани по-долу, отговарят на всички съответни разпоредби на: * Директива 2006/42/ЕО относно машините * Директива 2004/108/ЕО относно електромагнитната съвместимост</p> <p>2. Описание на машините a) Общо наименование : бензиново задвижване b) Функция : задвижваща система за принадлежности c) Търговско наименование d) Тип e) Серийен номер 3. Производител 4. Упълномощен представител 5. Съответствие с хармонизирани стандарти 6. Други стандарти или спецификации 7. Описаното бензиново задвижване Хонда може да се използва в комбинация само с оригинални принадлежности. a) Търговско наименование 8. Място на изготвяне 9. Дата на изготвяне</p>	<p><b>Norsk (Norwegian)</b> EF- Samsvarserklæring</p> <p>1.Undertegnede Piet Renneboog på vegne av autorisert representant herved erklærer at maskinene beskrevet nedenfor innfrir relevant informasjon fra følgende forskrifter. * Maskindirektivet 2006/42/EF * Direktiv EMC: 2004/108/EF Elektromagnetisk kompatibilitet</p> <p>2. Beskrivelse av produkt a) Felles benevnelse : Motorenhet b) Funksjon : Motorenhet i en driveverk c) Handelsnavn d) Typ e) Serienummer 3. Produsent 4. Autorisert representant 5. Referanse til harmoniserte standarder 6. Øvrige standarder eller spesifikasjoner 7. Nevnte Honda motorenhet kan bare bli brukt i kombinasjon med godkjent utstyr. a) Handelsnavn 8. Sted 9. Dato</p>
<p><b>Türk (Turkish)</b> AT Uygunluk Beyanı</p> <p>1. Aşağıda imzası bulunan Piet Renneboog, yetkili temsilci adına, bu yazıyla birlikte aşağıdaki makine ile ilgili tüm hükümlülüklerin yerine getirildiğini beyan etmektedir: * Makina Emniyet Yönetmeliği 2006/42/AT * Elektromanyetik Uyumluluk Yönetmeliği 2004/108/AT</p> <p>2. Makinanın tarifi a) Kapsamlı adlandırma : Güç Kafası b) İşlevi : Ataçmanlar için tahrik sistemi c) Ticari adı d) Tipi e) Seri numarası 3. İmalatçı 4. Yetkili temsilci 5. Uyulaştırılmış standartlara atfı 6. Diğer standartlar veya spesifikasyonlar 7. Tanımlanan güç kafası sadece belirtilen araçmanlarla birlikte kullanılabilir. a) Ticari adı 8. Beyanın yeri : 9. Beyanın tarihi :</p>	<p><b>Íslenska (Icelandic)</b> EB-Samræmisýfirlýsing</p> <p>1. Undirritaður Piet Renneboog staðfestir hér með fyrir hönd löggilttra aðila að upplýsingar um vélbúnað hér að neðan eru tæmandi hvað varðar alla tilheyrandi málflokka, svo sem *Leiðbeiningar fyrir vélbúnað 2006/42/EB *Leiðbeiningar fyrir rafsegulsvið 2004/108/EB</p> <p>2. Lýsing á vélbúnaði a) Flokkur : aflhædd b) Virkni : aflúttak fyrir tengibúnað c) Nafn d) Tegund e) Serial númer 3. Framleiðandi 4. Löggildir aðilar 5. Tívisun um heildar staðal 6. Aðrir staðlar eða sérstöður 7. Honda aflhædd má aðeins nota með tengibúnaði sem Honda heimilar. a) Nafn 8. Gert hjá 9. Dagsetning</p>	<p><b>Hrvatski (Croatian)</b> EK Izjava o sukladnosti</p> <p>1. Potpisani, Piet Renneboog, u ime ovlaštenog predstavnika, ovime izjavljuju da strojevi navedeni u nastavku ispunjavaju sve važne odredbe: * Propisa o strojeve 2006/42/EK * Propisa o elektromagnetskoj kompatibilnosti 2004/108/EK</p> <p>2. Opis strojeva a) Opća vrijednost : Glava b) Funkcionalnost : Prijenos za priključke c) Komerčijalni naziv d) Tip e) Serijski broj 3. Proizvođač 4. Ovlašteni predstavnik 5. Reference na usklađene norme 6. Ostale norme i specifikacije 7. Opisana Honda glava se može koristiti samo u kombinaciji sa autoriziranim priključcima. a) Komerčijalni naziv 8. U 9. Datum</p>

# HONDA

The Power of Dreams

36VP8600  
00X36-VP8-6000



© Honda Motor Co., Ltd. 2012  
英 仏 独 伊 Y 500.2007.05  
Printed in Thailand